
BERTAZZONI DESIGN SERIES

36" WALL MOUNT HOOD

K36 CON X/14

HIGHLIGHTS

- Electronic hood control with buttons.
- 600 CFM max extraction power with one motor controlled by 3 speed settings.
- 2 halogen lights give exceptionally bright worktop illumination.

FEATURES

Hood finishing	stainless steel
Motor	1
Speed	3
Hood control	electronic
Halogen lights	2
Filters	aluminum mesh
Max extraction power	600 CFM

TECHNICAL SPECIFICATIONS

Electrical Requirements	120 V 60 Hz
Max Amp usage, power rating	3.3 A - 400 W
Certification	CSA
Warranty	2 years parts and labor

ACCESSORIES

Extension Kit	code 901363
Recirculation Kit	code 901426 (diverter and charcoal filters)
Kit Charcoal filters	code 901395

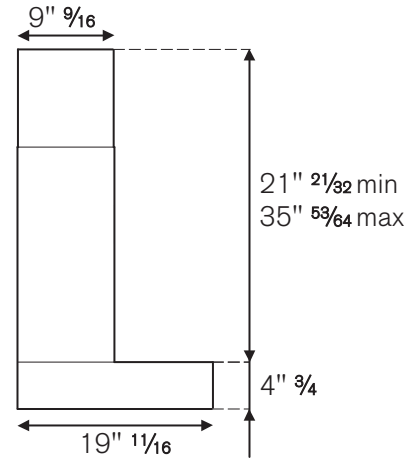
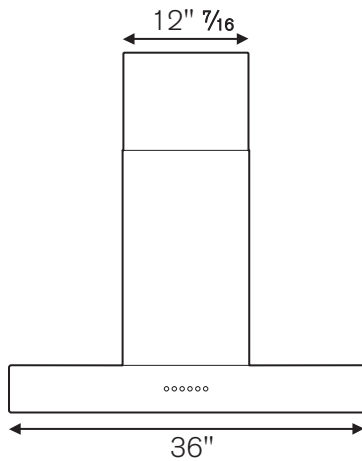
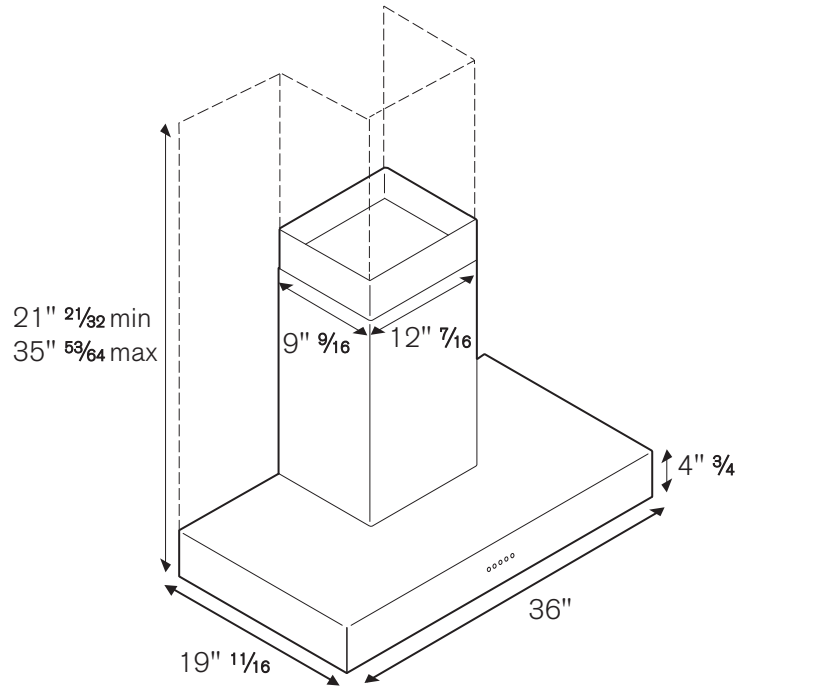
Duct cover included



TO COOK BEAUTIFULLY
WWW.BERTAZZONI.COM

INSTALLATION INSTRUCTIONS

K36 CON X/14



Bertazzoni recommends to operate the appliance after it has been properly installed. Please refer to the installation manual for further details.

Disclaimer: while every effort has been made to insure the accuracy of the information contained in this brochure, Fratelli Bertazzoni reserves the right to change any part of the information at any time without notice.

Fratelli Bertazzoni, Bertazzoni and the winged wheel brand icon are registered trademarks of Bertazzoni Spa.