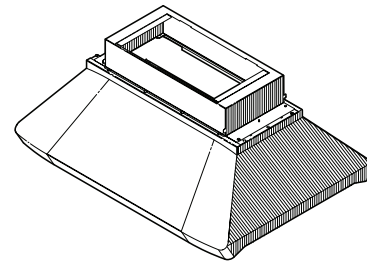


# IP29 SERIES RANGE HOOD



*For domestic cooking only.*

**Offers modern styling, high performance, and durable construction to meet the needs of professional-quality residential cooktops.**

A complete installation requires several optional components. Refer to pages 2 & 3 when planning your installation.

### FEATURES

#### HOOD:

- Widths available - 42" & 54"
- Professional Grade Stainless Steel (Type 304 or equivalent)
- Evolution™ stainless steel baffle filters with removable mesh element - easily accessible, dishwasher safe
- Four-setting cooktop lighting (Uses 50W, GU10 halogen lamps. 42" wide hood = 6 lamps, 54" wide hood = 8 lamps. Bulbs included.)
- Four-speed push button blower control
- Exclusive, Heat Sentry™ turns blower ON to HIGH speed when excess heat is detected
- Air refresh feature - runs the blower at low speed for 10 minutes every 50 minutes
- Exclusive Intelligent Linking system, uses Insteon technology to communicate with other Best and Broan equipped or specified product
- Filter maintenance indicator - shows when to clean filters
- Exclusive A.S.C. (Automatic Sensor Control) - uses particulate detection to activate blower when effluents from cooking are sensed
- For indoor use only

#### DECORATIVE FLUE EXTENSION:

##### AEIP Series (Optional)

- Professional Grade Stainless Steel (Type 304 or equivalent)
- Widths - 42" and 54"
- Height - 12", 18", 24", and 30"

#### DECORATIVE DRYWALL TRIM KIT:

##### ATDIP Series (Optional)

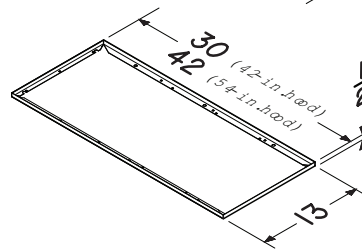
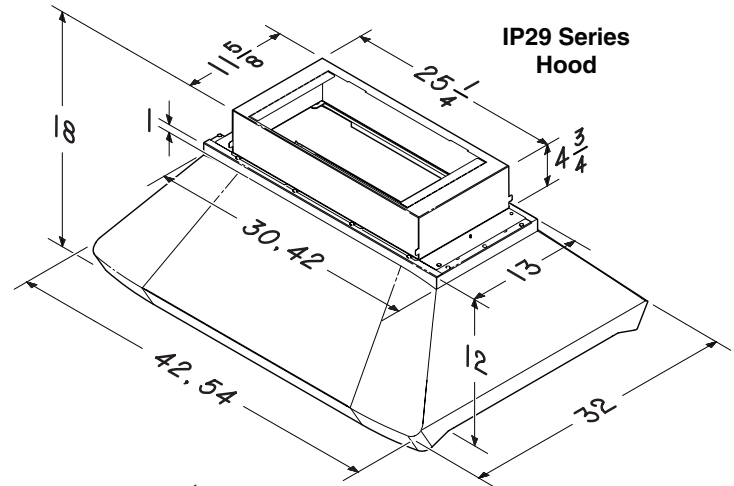
- Professional Grade Stainless Steel (Type 304 or equivalent)
- Widths - 42" and 54"

#### SPECIFICATION:

- 120 VAC, 60 Hz,
- 2.5 Amps (without blower - 42" width)
- 3.3 Amps (without blower - 54" width)

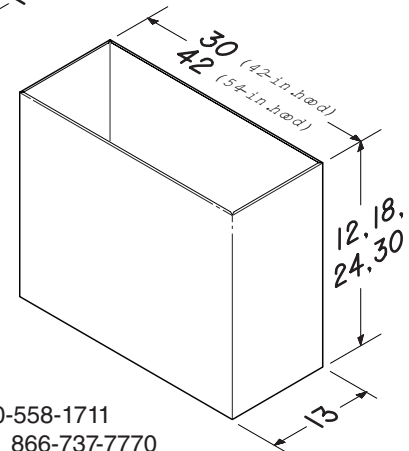


BEST Hartford, Wisconsin [www.BestRangeHoods.com](http://www.BestRangeHoods.com) 800-558-1711  
 BEST Drummondville, QC Canada [www.BestRangeHoods.com](http://www.BestRangeHoods.com) 866-737-7770



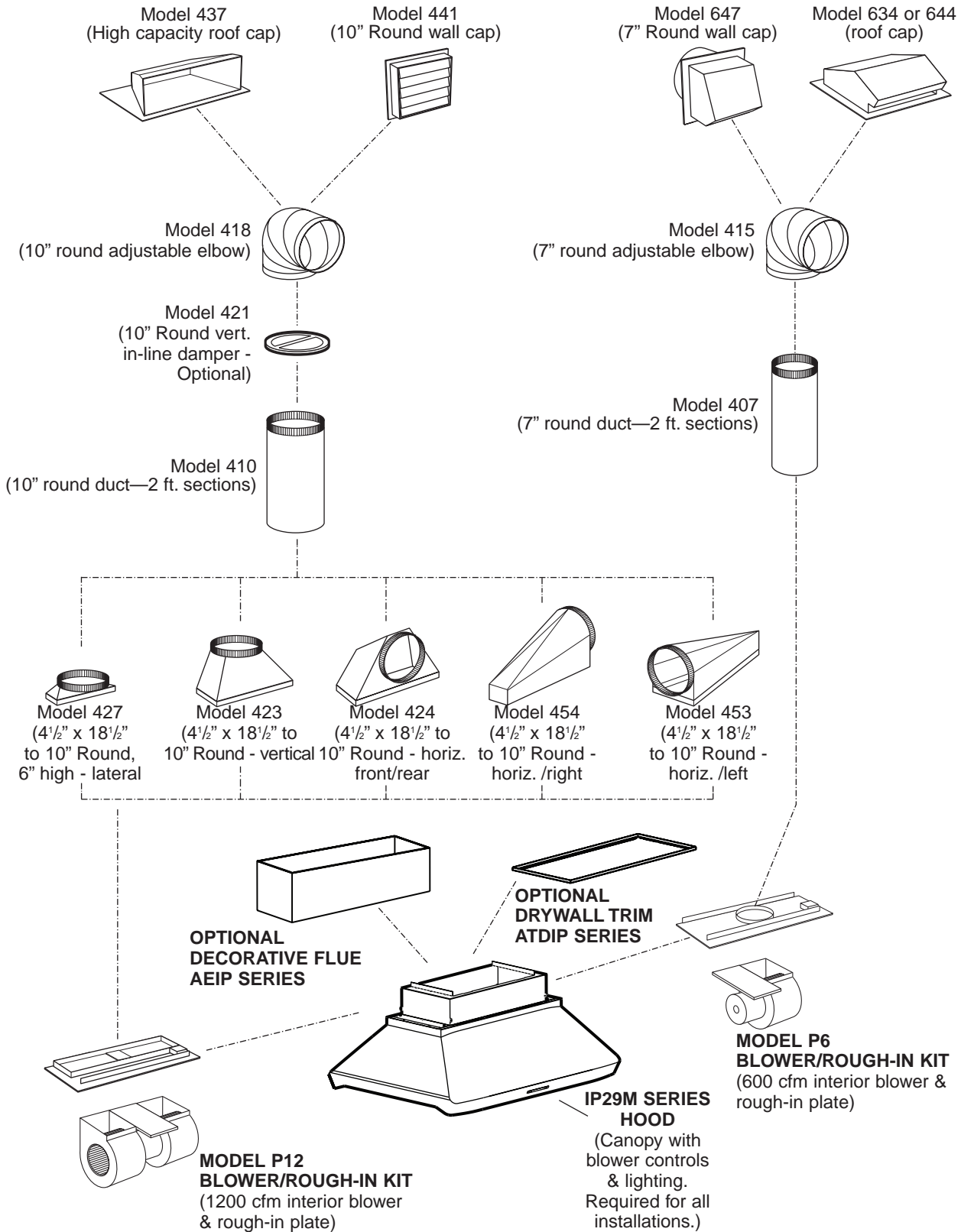
**ATDIP Series Drywall Trim Kit (Optional)**

**AEIP Series Decorative Flue (Optional)**



REFERENCE	QTY.	REMARKS	Project
			Location
			Architect
			Engineer
			Contractor
			Submitted By <span style="float: right;">Date</span>

# - IP29M SERIES RANGE HOOD SYSTEM - INTERIOR BLOWERS



# - IP29M SERIES RANGE HOOD SYSTEM - IN-LINE AND EXTERIOR BLOWERS

