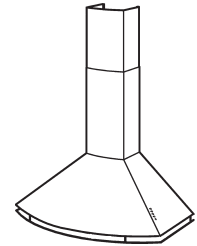


KEX273 SERIES RANGE HOODS



Exterior blower provides higher exhaust options, ranging from 600 to 1500 CFM.

A delightful combination of curved and angular surfaces gives this handcrafted chimney hood a sensational appearance that complements high-design kitchens.

FEATURES

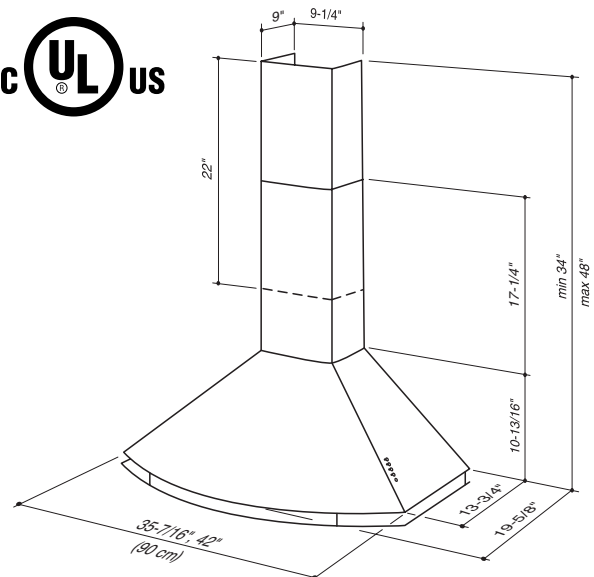
- Italian design
- Wall mount
- Finish: 304 Stainless Steel #4 Brushed
- Widths: 35-7/16" (90cm), 42"
- Chrome-plated utensil rail
- Ducted telescopic flue accommodates 8' to 9' ceilings
- 8" round duct connector/backdraft damper
- Halogen lighting (2 x 20 watt, Type MR16 - bulbs included)
- Advanced, multispeed, electronic push-button controls with individual speed indicators
- Exterior mounted blower available in either 600, 900, 1200, or 1500 CFM
- Delay timer control automatically shuts off range hood after ten minutes
- Special control indicates when it's time to clean the filter
- Dishwasher-safe filters feature a quick-release latch and polished stainless steel
- Heat Sentry™ - automatically turns blower to high speed when excess cooking heat is detected

OPTIONS

- 8" to 10" transition (Model 414)
- Replacement grease filters available
- Flue extension for 10' ceiling (Model FEXTKEX273) (31-1/2" Long)
- Interior blower version (K273) available, providing 500 CFM exhaust

SPECIFICATIONS

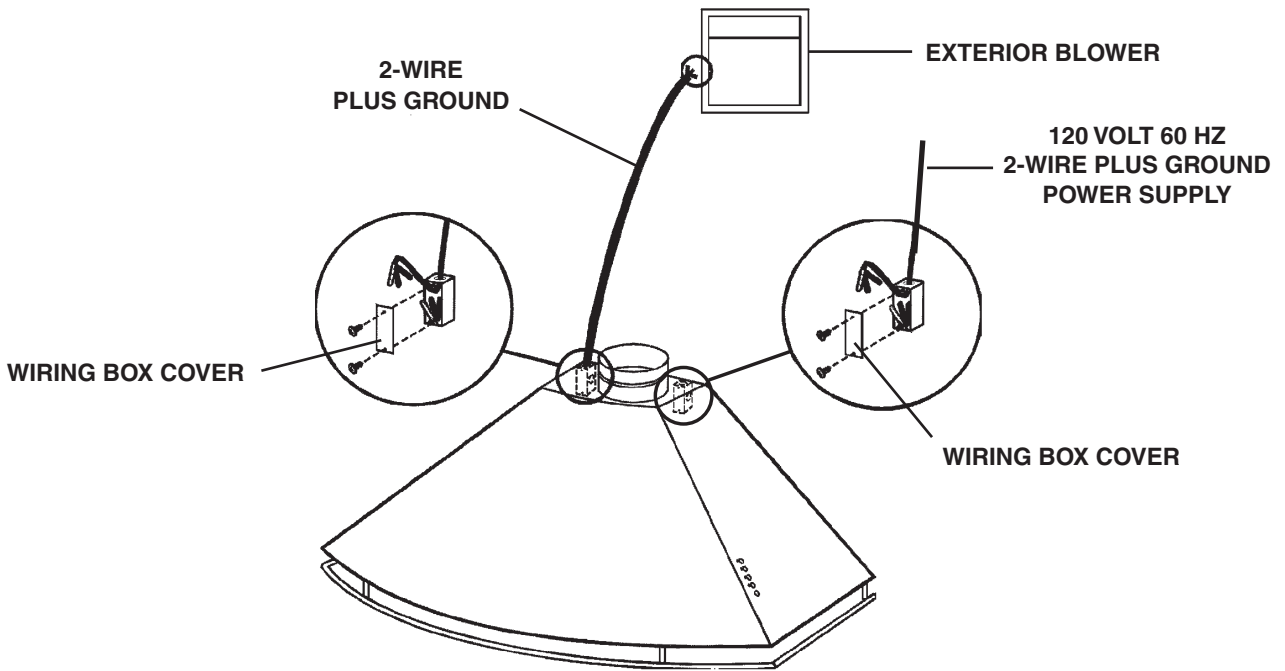
WITH OPTIONAL BLOWER MODELS	BLOWER CFM	VOLTS	AMPS	DUCT
EB6	600 max.	120	0.43 (lights only) + 6.0 max. (blower only)	8-in. round at the hood. See blower specs for duct requirements.
EB9	900 max.			
EB12	1200 max.			
EB15	1500 max.			
ILB3	280 max.			
ILB6	600 max.			
ILB9	800 max.			
ILB11	1100 max.			



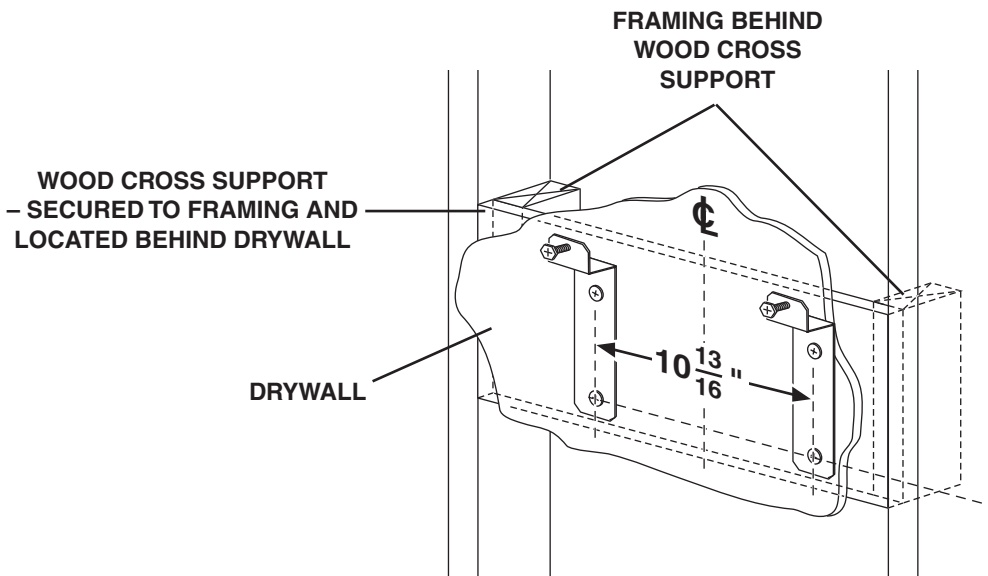
Best P.O. Box 140 Hartford, Wisconsin www.BestRangeHoods.com 800-558-1711

REFERENCE	QTY.	REMARKS	Project
			Location
			Architect
			Engineer
			Contractor
			Submitted by Date

KEX273 SERIES WIRING



KEX273 SERIES MOUNTING



MOUNTING BRACKET LOCATION (ABOVE 36" HIGH COOKTOP)

CEILING HEIGHT	HOOD DISTANCE ABOVE 36" HIGH COOKTOP (SEE NOTE AT RIGHT)						
	24"	25"	26"	27"	28"	29"	30"
	MOUNTING BRACKET LOCATION ABOVE 36" HIGH COOK TOP						
8 FEET	27-3/4"	28-3/4"	29-3/4"				
9 FEET	27-3/4"	28-3/4"	29-3/4"	30-3/4"	31-3/4"	32-3/4"	33-3/4"
10 FEET WITH FEXTKEX273				30-3/4"	31-3/4"	32-3/4"	33-3/4"

NOTE: Minimum hood distance above cooktop must not be less than 24".
 A maximum of 30" above the cooktop is highly recommended for best capture of cooking impurities.
 Distances over 30" above the cooktop are at the installer's and user's discretion - providing that ceiling height and flue length permit.

