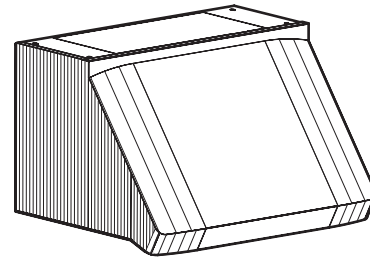


# WP29M SERIES RANGE HOOD



*For domestic cooking only.*

**Offers modern styling, high performance, and durable construction to meet the needs of professional-quality residential cooktops.**

A complete installation requires several optional components. Refer to page 2 when planning your installation.

### FEATURES

#### HOOD:

- Widths available - 30" to 60" in 6" increments
- Depths available - 24" (all widths), 27" (36" to 60" widths only)
- Stainless Steel, 20 gauge, type 304
- Stainless Steel baffle filters with removable mesh element - easily accessible, dishwasher safe
- Variable cooktop lighting (Uses 50W, GU10 halogen lamps. 30", 36" & 42" wide hoods = 4 lamps, 48", 54" & 60" wide hoods = 6 lamps. Bulbs included.)
- Solid-State, infinite speed blower control with speed memory
- Exclusive, Heat Sentry™ turns blower ON to HIGH speed when excess heat is detected
- For indoor use only

#### NON-DUCTED RECIRCULATING KIT:

##### ANKWP Series (Optional)

- Stainless steel, type 304
- Available for hood widths up to 48"

#### SOFFIT CHIMNEY:

##### AEWP Series (Optional)

- Widths - 30" to 60" in 6" increments
- Height - 6" or 12" versions
- Stainless Steel, 22 gauge, type 304
- Recommended for use when installation location has no soffit

#### DECORATIVE TOP COVER:

##### ADPWP Series (Optional)

- Stainless Steel, 22 gauge, type 304
- Widths - 30" to 60" in 6" increments

#### BACKSPLASH:

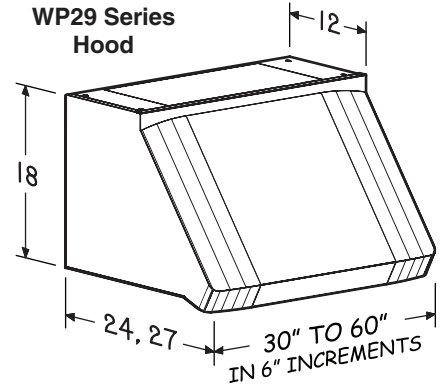
##### RMP Series (Optional)

- Widths - 30" to 60" in 6" increments
- Stainless steel, 22 gauge, type 430 - protects back wall and wipes clean easily
- Two (2) dual position condiment storage shelves

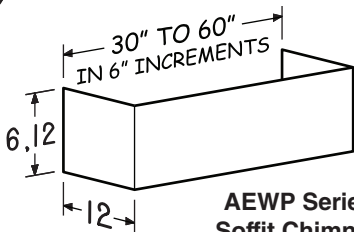
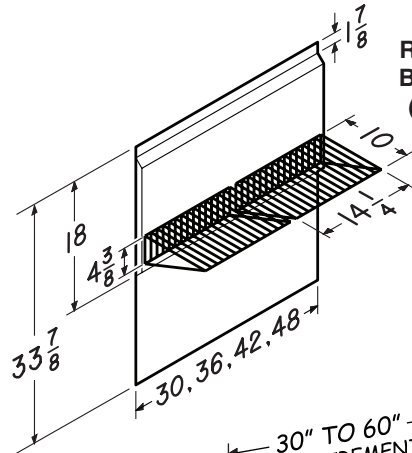
#### SPECIFICATION:

- 120 VAC, 60 Hz,
- 1.7 Amps (without blower - 30", 36", 42" widths)
- 2.5 Amps (without blower - 48", 54", 60" widths)

WP29 Series Hood



RMP Series Backsplash (Optional)

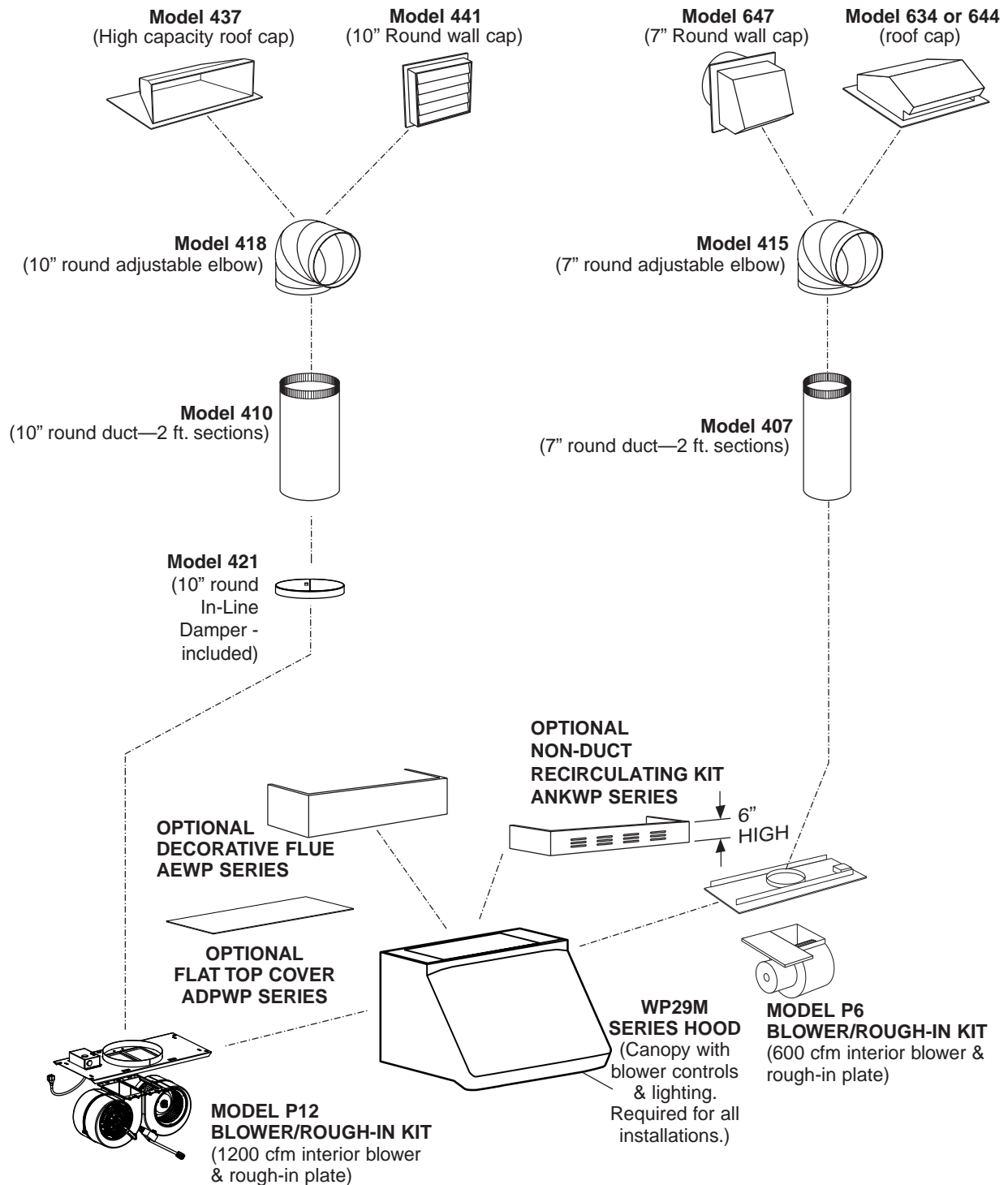


AEWP Series Soffit Chimney (Optional)

BEST Hartford, Wisconsin [www.BestRangeHoods.com](http://www.BestRangeHoods.com) 800-558-1711  
 BEST Drummondville, QC Canada [www.BestRangeHoods.com](http://www.BestRangeHoods.com) 866-737-7770

REFERENCE	QTY.	REMARKS	Project
			Location
			Architect
			Engineer
			Contractor
			Submitted By <span style="float: right;">Date</span>

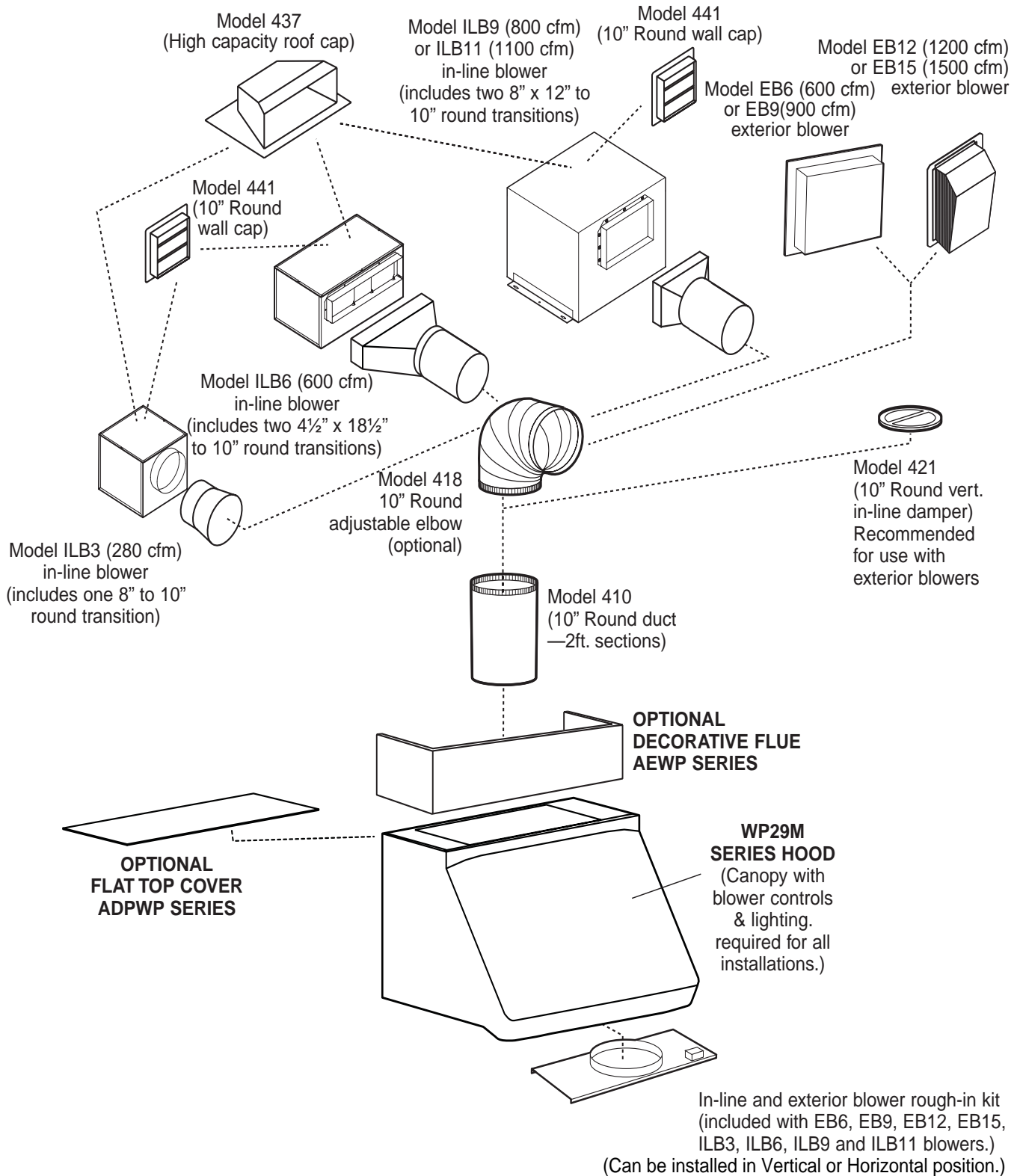
# - WP29M SERIES RANGE HOOD SYSTEM - INTERIOR BLOWERS



**NOTE:** We recommend the non-duct kit flue ANKWP Series be installed with Model P6 Blower/Rough-in kit, but the Model P12 can be used.

# - WP29M SERIES RANGE HOOD SYSTEM -

## IN-LINE AND EXTERIOR BLOWERS



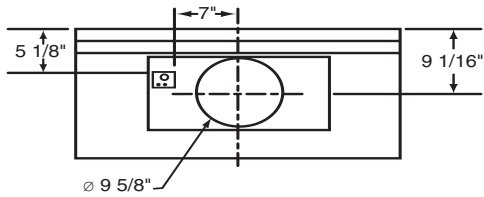
# - WP29M SERIES RANGE HOOD SYSTEM - BLOWER DUCTING POSITION

## BLOWER DUCTING POSITION

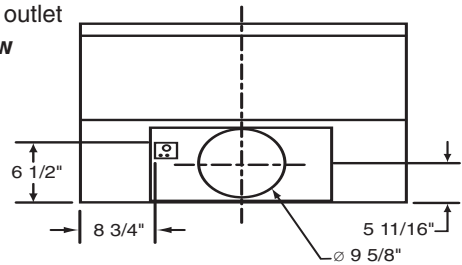
(Choice of transition will determine the final duct placement.)

### MODEL EB6, EB9, EB12, EB15, ILB3, ILB6, ILB9, ILB11 & P12:

Horizontal outlet  
back view

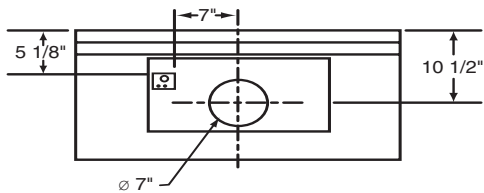


Vertical outlet  
top view

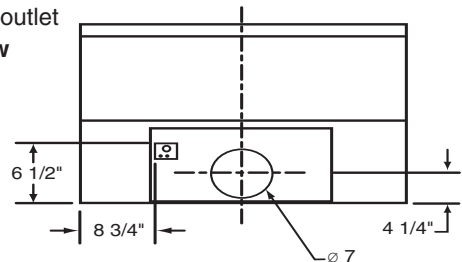


### MODEL P6:

Horizontal outlet  
back view



Vertical outlet  
top view



Note: The electrical box dimensions are 2.5" x 3"