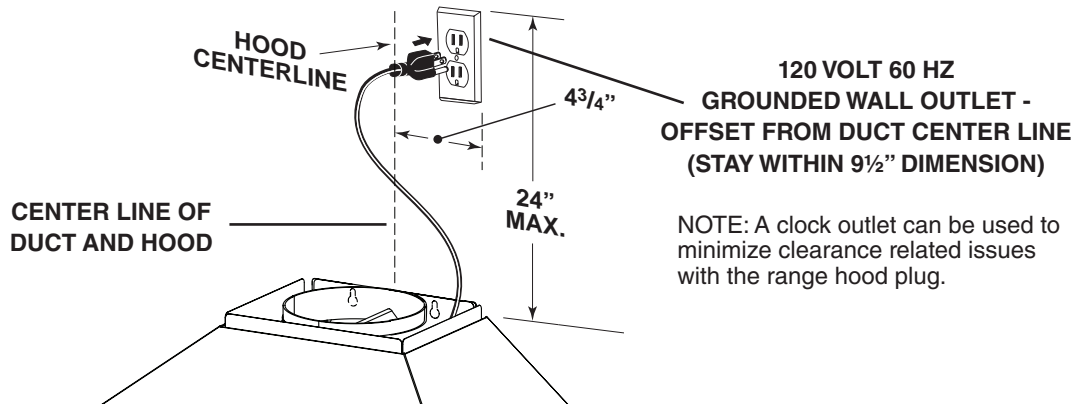
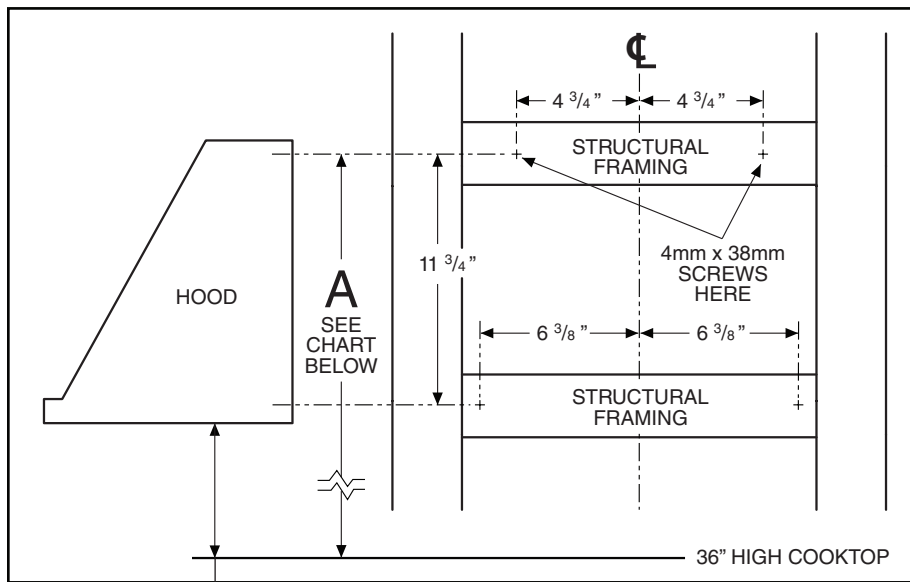




# WTT32I30SB, WTT32I36SB, WTT32I42SB WIRING



# WTT32I30SB, WTT32I36SB, WTT32I42SB MOUNTING



Desired Hood Distance (Above 36" High Cooktop)

	24"	25"	26"	27"	28"	29"	30"
Ceiling Height	Upper Mounting Screws Location (Distance above 36" High Cooktop) (Dimension "A")						
8 Feet	37-1/8"	38-1/8"	39-1/8"	40-1/8"	41-1/8"	*42-1/8"	*43-1/8"
9 Feet							43-1/8"
9 Feet with AEWTT32SB	**37-1/8"	**38-1/8"	**39-1/8"				
10 Feet with AEWTT32SB	37-1/8"	38-1/8"	39-1/8"	40-1/8"	41-1/8"	42-1/8"	43-1/8"

\* Not applicable for non-duct installation.

\*\* For non-duct installation, use upper flue from AEWTT32SB and lower flue from standard hood.



# WTT32I30SB, WTT32I36SB, WTT32I42SB RANGE HOOD SYSTEM

