



30" Under Cabinet – Professional Range Hood

BCHP30100SS



KEY FEATURES

- Knob Control
- 600 CFM Suction Power with Four Different Fan Speed Levels
- Stainless Baffle Dishwasher-safe Grease Filters
- Direct Ducting Only

FINISH

Stainless Steel

DIMENSIONS (H X W X D)

18³/₈ x 30 x 23 in.

*Max Height Range for Installation:
30" electric, 36" gas.*

FEATURES

Hood Type	Canopy
Control Type	Mechanical Control - Push Button
Hood Width	30 in.

PERFORMANCE

Intensive Setting (Booster)	Yes
No. of Power Levels	4
Number of Motors	1
Maximum Ventilation Capacity	738 cu. meters / hour
Minimum Ventilation Capacity	303 cu. meters / hour
Ventilation Capacities	303 - 510 - 738 - 876 cu. meters / hour
Maximum Noise Level (Sound Power)	71 dBA
Minimum Noise Level (Sound Power)	49 dBA
Noise Level (Sound Power)	49 - 63 - 71 - 74 dBA
Total Power Consumption	550 W

HOOD FEATURES

Type of Lighting	Halogen
No. of Lights	2
Power of Lights	50 W
No. of Grease Filters	2
Type Of Grease Filters	Metal - Baffle Filter
Dishwasher Safe Filters	Yes
Flape (Ducted Operation)	Yes
Ductless Operation	No
Recirculation Kit	No
Fitting Kit (Screws)	Yes

DESIGN

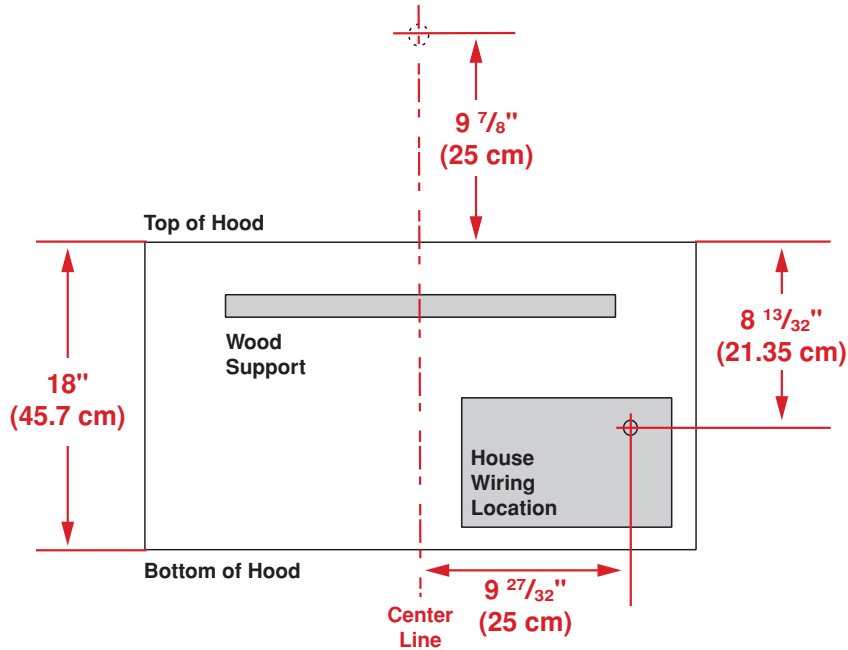
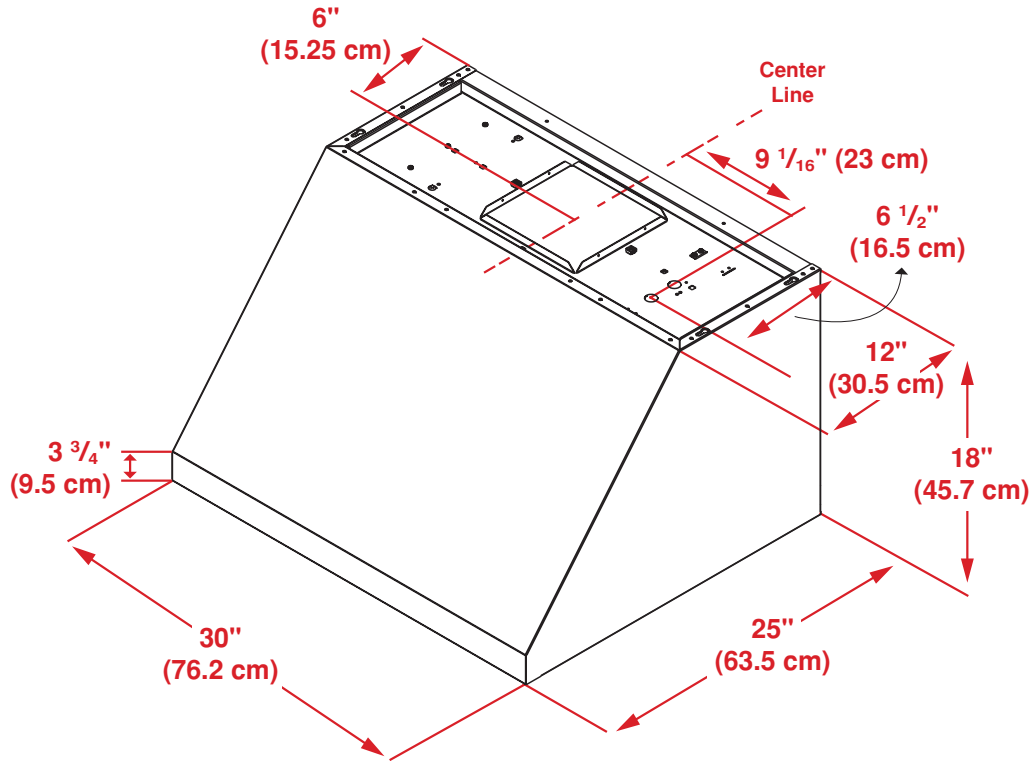
Control Panel Design	Flat Panel
Control Panel Type	Metal
Body Color	Inox
Body Material	Inox

TECHNICAL INFORMATION

Voltage	120 V
Frequency	60 Hz

DIMENSIONS

H x W x D	18 ³ / ₈ x 30 x 23 in. (46.7 x 76 x 58.4 cm)
Product Weight	62 lbs. (28 kg)
Packed H x W x D	24 ⁵ / ₈ x 35 ¹ / ₈ x 30 in. (62.5 x 89.2 x 76.2 cm)
Packed Weight	82.5 lbs. (37.4 kg)



NOTE TO THE INSTALLER: All height, width and depth dimensions are shown in inches (as well as metric). Beko US Inc. reserves the absolute and unrestricted right to change product materials and specifications, at any time, without notice. Please visit our website www.beko.us or call 888 352 2356 to verify the latest specifications with final dimensional data and other details prior to installation and making a cutout. Applicable product limited warranty information may be found in accompanying product materials or you may contact your account manager for further details. Proper installation is the responsibility of the installer. Product failure due to improper installation is not covered under the Limited Warranty.

IN HARMONY WITH NATURE, YOUR LIFE, AND YOU