

# REFRIGERATOR counter depth

29 1/4"W x 29 3/8"D x 67 3/4"T

30"W — 18.0 cu. ft. capacity

## BRFB1812



- 304 SS Full Wrap Doors
- Frost Free
- Antibacterial Interior
- 3 Glass Shelves
- Clear Crisper Drawer
- 1 Chrome Plated Wine Rack
- White LED Interior Lighting
- 42 dBA Silent Operation
- Electronic controls
- No ice maker, see BRFB1822
- Blue crisper light for freshness
- Hinge Specific, not reversible



# Blomberg®

seit 1883

## Features

- **Premium Stainless Steel** doors with special anti-fingerprint coating
- **Counter Depth** for a built-in look at a fraction of the price
- **Dual Evaporator Design** prevents flavor share between refrigerator and freezer compartments
- **hygiON Antibacterial Silver Interior Coating** helps keep food safer and fresher
- **Energy Star** certification guarantees reduced costs and energy consumption

## Warranty

- 1 Year Parts & Labor
- 2 Years Parts
- 5 Years on Compressor

[www.BlombergAppliances.com](http://www.BlombergAppliances.com)

For answers to your Blomberg appliance questions contact...

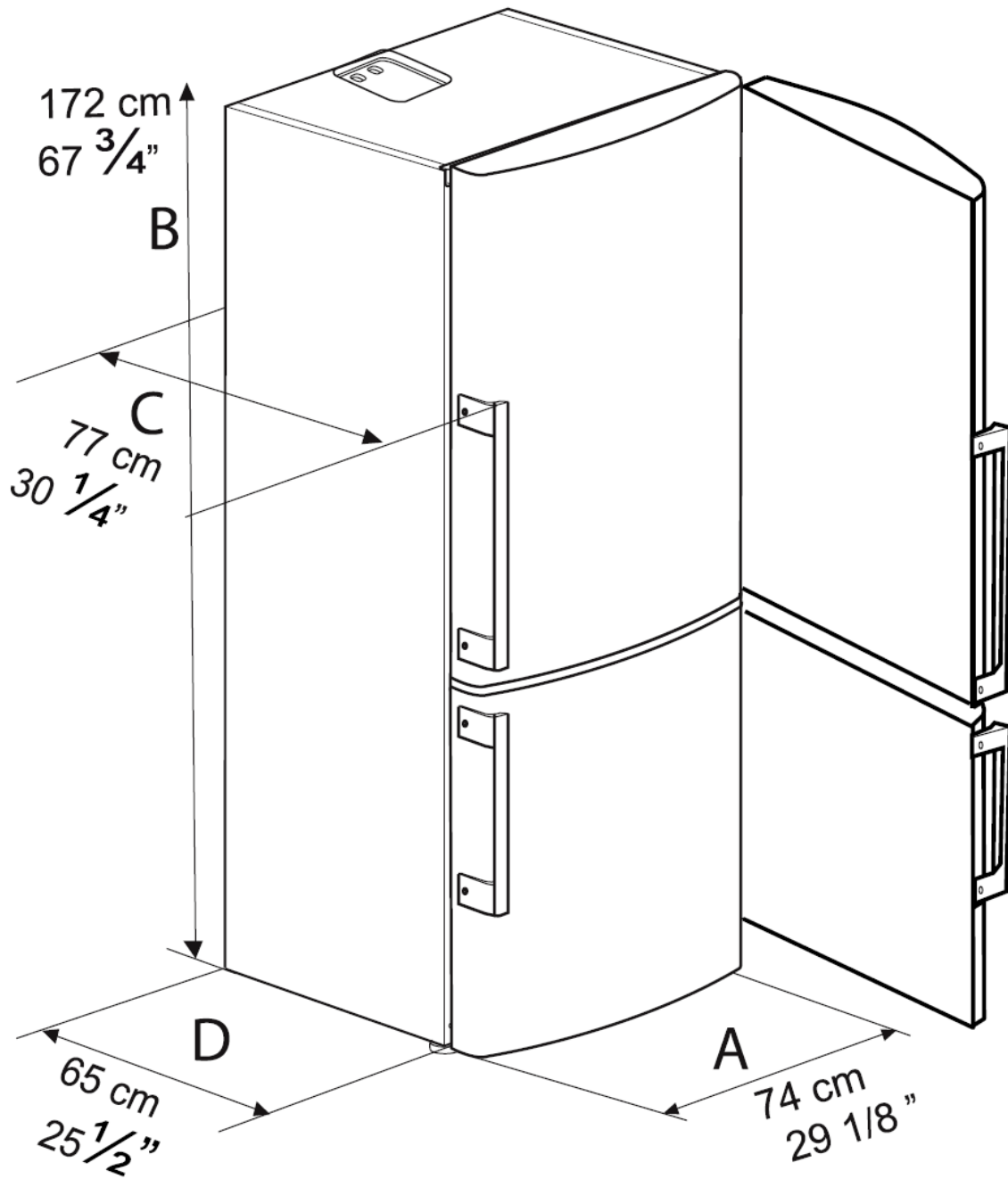
**EASTERN  
MARKETING®**  
Distributors of Luxury Appliances

P: (973) 403-8900  
[www.EasternMarketing.com](http://www.EasternMarketing.com)

Model	Hinge	MAP
BRFB1812SS	Right	\$1945
BRFB1812SSL	Left	\$1945

**Blomberg BRFB1812**

29 1/4"W x 29 3/8"D x 67 3/4"T



1.7 Amps required

**Blomberg**  
seit 1883

**EASTERN  
MARKETING**  
Distributors of Luxury Appliances