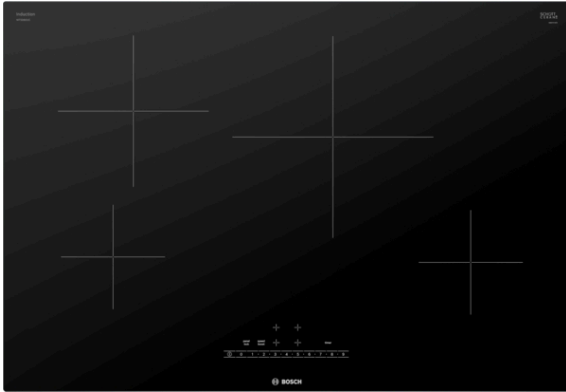


## 500 Series, Induction Cooktop, 30", Black NIT5060UC



## The 500 Series Induction Cooktop is Sleek in Design and Offers Quick and Even Cooking Results.

- PreciseSelect® - direct cooking level selection.
- SpeedBoost® - adds even more power to speed up the cooking process.
- **ReStart:** if something boils over, the cooktop automatically turns itself off and saves the last selected setting.
- **Induction:** faster than gas and electric cooktops. Precise cooking, easy cleaning and more efficient.
- The smooth ceramic glass surface makes cooking and cleaning especially easy.

---

### Technical Data

Sealed Burners : No

Burners with booster : All

Dimension of 1st heating element (in) : 6"

Power of heating element (W) : 1.4 kW

Dimension of 3rd heating element (in) : 9"

Power of 3rd heating element (W) : 2.2 kW

---



## **500 Series, Induction Cooktop, 30", Black NIT5060UC**

**The 500 Series Induction Cooktop is Sleek in Design and Offers Quick and Even Cooking Results.**

---

### **Design**

- 4 Induction Cooking Zones
- PreciseSelect® - Direct Cooking Level Selection (17 Settings)

### **Efficiency**

- SpeedBoost® - Adds Even More Power to Speed Up the Cooking Process
- PotSense™ - Automatically Adjusts Cooking Element to the Size of the Pan Bottom

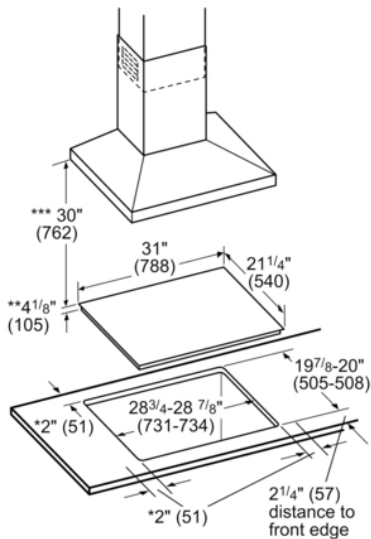
### **Convenience**

- Use the Kitchen Timer to Measure Cooking Time or as a Reminder

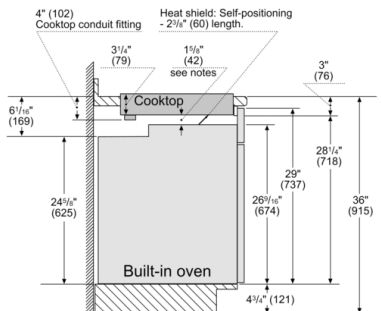
### **Safety**

- ChildLock - Prevents the Cooktop from Being Accidentally Switched on. Locks Temperature Settings if in Use.
- Digital 2-Stage Residual Heat Indicator for Each Cooking Zone
- Wipe Protection - Quickly Pauses Settings to Clean as You Go

## 500 Series, Induction Cooktop, 30", Black NIT5060UC



\* Minimum distance from the hob cut-out  
30" Built-in oven – under induction cooktop

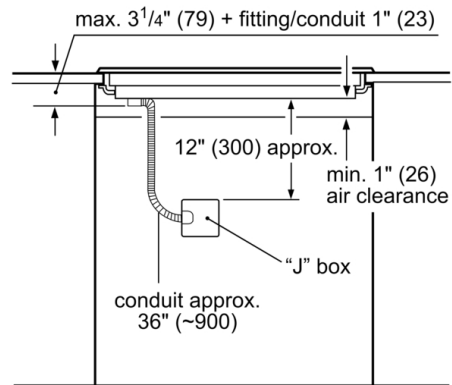


Notes:

Dimensions based on standard countertop height (36" with 4 1/4" toe kick including base plate).

The built-in oven can be installed below the induction cooktop as long as there is a minimum 1" (26) clearance between the bottom of the cooktop and the top of the oven.

measurements in inches (mm)



Measurements in inches (mm)

Measurements in inches (mm)

