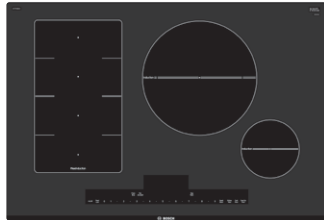


30" Induction Cooktop

Benchmark® Series – Black NITP068UC



NITP068UC
Black

Also available in:

Black with NITP068SUC
Stainless Steel Frame

FlexInduction® cooktop allows you to place your cookware wherever you want on the flexible cooking zone.

Features & Benefits

FlexInduction® – provides more flexibility by combining two cooking zones into one larger zone

11" cooking zone for larger pots and pans

PowerMove™ – divides FlexInduction® into 3 preset power level zones. Simply move the cookware to change the power level

SpeedBoost® – adds even more power to speed up the cooking process

Element Performance	
Power of Full Zone Left heating element	3,300 W
Power of Full Zone Left heating element (in boost)	3,600 W
Power of Front Left heating element	2,200 W
Power of Front Left heating element (in boost)	3,600 W
Power of Back Left heating element	2,200 W
Power of Back Left heating element (in boost)	3,600 W
Power of Back Right heating element	2,600 W
Power of Back Right heating element (in boost)	3,700 W
Power of Front Right heating element	1,400 W
Power of Front Right heating element (in boost)	2,200 W
Burners with booster	All*
Element Size	
Dimension of Front Left heating element	8" x 9"
Dimension of Back Left heating element	8" x 9"
Dimension of Back Right heating element	11"
Dimension of Front Right heating element	6"

Technical Details	
Watts	7,200 W
Circuit breaker	30 A
Volts	208-240 V
Frequency	60 Hz
Plug type	No plug
Power cord length	37"
Energy source	Electric
Dimensions & Weight	
Overall appliance dimensions (HxWxD)	1/4" +4 1/8" x 31" x 21 1/4"
Required cutout size (HxWxD)	4 1/8" x 28 7/8" x 20"
Minimum distance from counter front	2 1/4"
Minimum distance from rear wall	2"
Net weight	43 lbs

Accessories—Optional



HEZ390210
8" AutoChef® pan



HEZ390230
10" AutoChef® pan



HEZ390512
Teppanyaki



*For 30" model Boost function may be used simultaneously in 2 zones only. See User Manual.

For help and assistance with Bosch accessories please visit: www.bosch-eshop.com/eshop/bosch/us or call 1-800-944-2904 Mon-Fri 5am to 6pm PST Sat 6am to 3pm PST

Notes: All height, width and depth dimensions are shown in inches. BSH reserves the absolute and unrestricted right to change product materials and specifications, at any time, without notice. Consult the product's installation instructions for final dimensional data and other details prior to making cutout. Applicable product warranty can be found in accompanying product literature or you may contact your account manager for further details.

Warranties: Bosch warrants that the Product is free from defects in materials and workmanship for a period of three hundred and sixty-five (365) days from the date of purchase. The foregoing timeline begins to run upon the date of purchase, and shall not be stalled, tolled, extended, or suspended, for any reason whatsoever. This Product is also warranted to be free from cosmetic defects in material and workmanship (such as scratches of stainless steel, paint/porcelain blemishes, chip, dents, or other damage) to the finish of the Product, for a period of thirty (30) days from the date of purchase or closing date for new construction. This cosmetic warranty excludes slight color variations due to inherent differences in painted and porcelain parts, as well as differences caused by kitchen lighting, product location, or other similar factors. This cosmetic warranty specifically excludes any display, floor, "As Is", or "B" stock appliances.

For more information on our entire line of products, go to www.bosch-home.com/us or call 1-800-944-2904

© BSH Home Appliances Corporation. All rights reserved. Bosch is a registered trademark of Robert Bosch GmbH.

30" Induction Cooktop

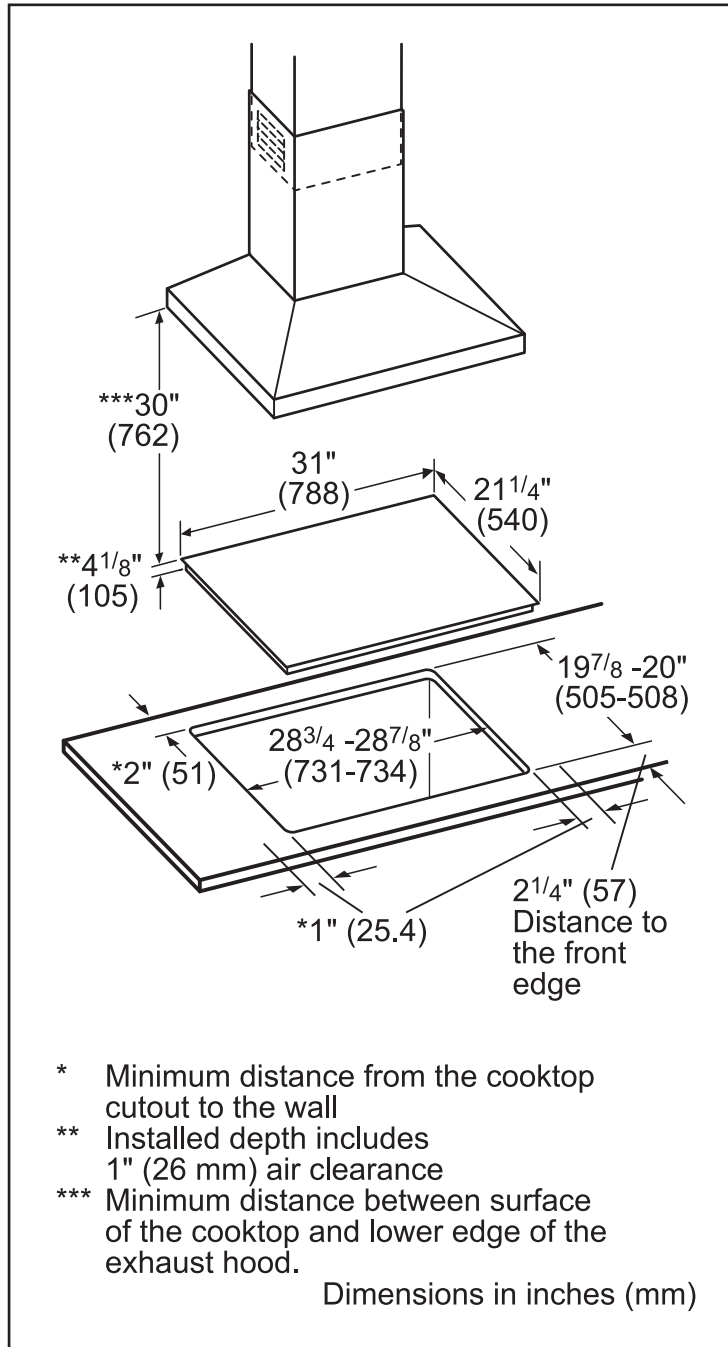
Benchmark® Series – Black NITP068UC



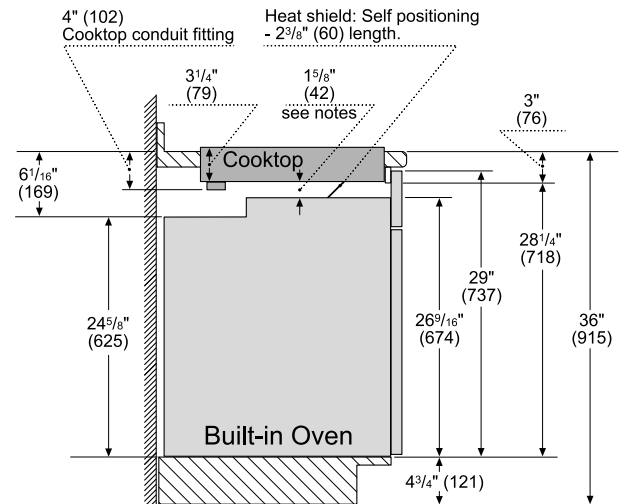
BOSCH
Invented for life



Installation Details



Installation above Wall Ovens

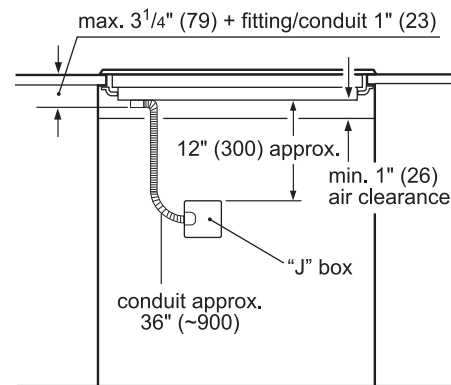


Notes:

Dimensions based on standard countertop height (36" with 4 3/4" toe kick including base plate).

The built-in oven can be installed below the induction cooktop as long as there is a minimum 1" (26) clearance between the bottom of the cooktop and the top of the oven.

measurements in inches (mm)



Measurements in inches (mm)

For help and assistance with Bosch accessories please visit: www.bosch-eshop.com/eshop/bosch/us or call 1-800-944-2904 Mon-Fri 5am to 6pm PST Sat 6am to 3pm PST

Notes: All height, width and depth dimensions are shown in inches. BSH reserves the absolute and unrestricted right to change product materials and specifications, at any time, without notice. Consult the product's installation instructions for final dimensional data and other details prior to making cutout. Applicable product warranty can be found in accompanying product literature or you may contact your account manager for further details.

Warranties: Bosch warrants that the Product is free from defects in materials and workmanship for a period of three hundred and sixty-five (365) days from the date of purchase. The foregoing timeline begins to run upon the date of purchase, and shall not be stalled, tolled, extended, or suspended, for any reason whatsoever. This Product is also warranted to be free from cosmetic defects in material and workmanship (such as scratches of stainless steel, paint/porcelain blemishes, chip, dents, or other damage) to the finish of the Product, for a period of thirty (30) days from the date of purchase or closing date for new construction. This cosmetic warranty excludes slight color variations due to inherent differences in painted and porcelain parts, as well as differences caused by kitchen lighting, product location, or other similar factors. This cosmetic warranty specifically excludes any display, floor, "As Is", or "B" stock appliances.

For more information on our entire line of products, go to www.bosch-home.com/us or call 1-800-944-2904

© BSH Home Appliances Corporation. All rights reserved. Bosch is a registered trademark of Robert Bosch GmbH.