

The sculpted lines of Alta™ bring an exciting, new choice to typical range hood shapes. Infrared controls and perimeter aspiration allow you to imagine new design possibilities while you experience the ultimate in capture efficiency.

SIZE	STAINLESS	GREASE FILTER(S) (replacement)	NON-DUCTED FILTER(S)
30-in.	EQLD130SS	HPFA52 (Type "H2")	HPF52 (Type "Xh2")
36-in.	EQLD136SS	HPFA52 (Type "H2")	HPF52 (Type "Xh2")

PERFORMANCE								
Duct Orientation	Size	Damper	Sones			CFM @ 0.1 Ps		
			Normal	Medium	High	Normal	Medium	High
Vertical - Rectangular	3¼-in. x 14-in.	Included	0.8	2.5	10.0	160	220	450
Horizontal - Rectangular	3¼-in. x 14-in.	Included	0.8	2.5	10.0	160	225	500
Round - Vertical	7-in.	Sold Separately	0.8	2.5	10.0	150	200	420

FEATURES	
Control type	3-Speed Infrared
Delay off	yes
Filter Clean Reminder	yes
Heat Sentry™	yes
ADA Capable	yes
Lighting	3-level LED (included)
Grease Filter(s)	Peripheral
Installation Hardware	EZ1 Bracket
ENERGY STAR®	no
Recirculation	Non-ducted filter(s) sold separately
3¼-in x 10-in Damper/Duct Connector	included

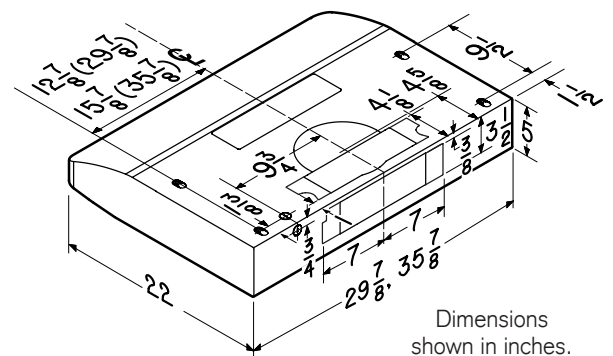
AC INPUT	
120V, 60 Hz - 1.9 AMPS	

OPTIONAL ACCESSORIES	
7-in. Round Damper	BP87
ADA Wiring Kit	HAWRK3
Make-up Air Damper	MD6TU, MD8TU, or MD10TU
Remote Control	HCR3

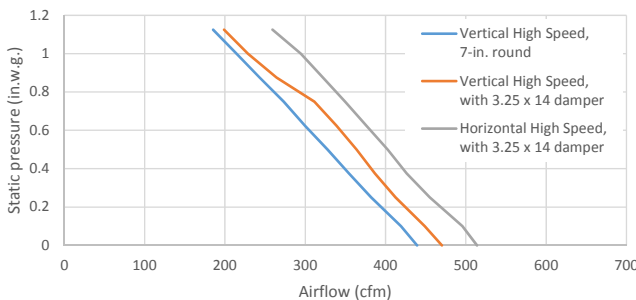
MOUNTING HEIGHT	
24-in. to 30-in. from cooktop to bottom of hood	

LIMITED WARRANTY	
1-year	
3-year (LED modules only)	
(See installation manual for full warranty text.)	

FOR INDOOR USE ONLY



Dimensions shown in inches.



This product was tested by Broan-NuTone for airflow performance using the ANSI/AMCA 210 Standard, which is equivalent to the Home Ventilating Institute HVI 916 - Procedure for Air Flow Testing, and tested for sound performance using the ANSI S12.51 Standard, which is equivalent to the Home Ventilating Institute HVI 915 - Procedure for Loudness Rating of Residential Fan Products.