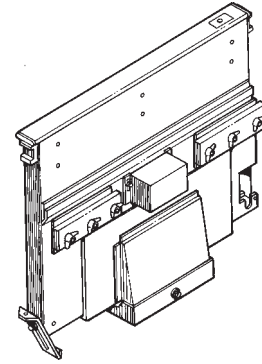


**MODELS 2830 & 2836**  
***ECLIPSE***<sup>™</sup>  
**REMOTE DOWNDRAFT**



**Control a powerful exterior blower from the cooktop location.**

**FEATURES**

**HOUSING:**

- Rugged steel construction
- Finished with black, electrically-bonded epoxy paint
- Space-saving - can be used with most cooktops on the market
- 30" or 36" size - Fits standard-size cabinets

**AIR VENT ASSEMBLY:**

- Brushed stainless steel cover - just press button to turn unit "ON"
- Designer White or Black doors - available separately
- Air vent rises to 7" from cooktop for optimum removal of cooking contaminants
- Two washable aluminum grease filters
- Stainless steel face plate - makes cleanup quick and easy
- Flush-mounted, infinite speed blower control
- Conveniently located button - press to lower air vent and turn unit "OFF"

**TYPICAL SPECIFICATION**

Downdraft blower system shall be Broan Model 2830 (Broan Model 2836).

Unit to have steel housing with electrically-bonded paint finish. Air vent to rise at least 7" and have a stainless steel face plate for ease of cleaning.

Filters to be washable and removable from above.

3/4" x 10" duct connector shall be adjustable to accommodate different duct positions.

Downdraft system shall operate on 120 VAC and be able to be plugged into a standard grounded outlet. It will have an infinite speed blower control.

**SPECIFICATIONS**

VOLTS	Hz	AMPS	DISCHARGE
120	60	6 Amps	3/4" x 10"



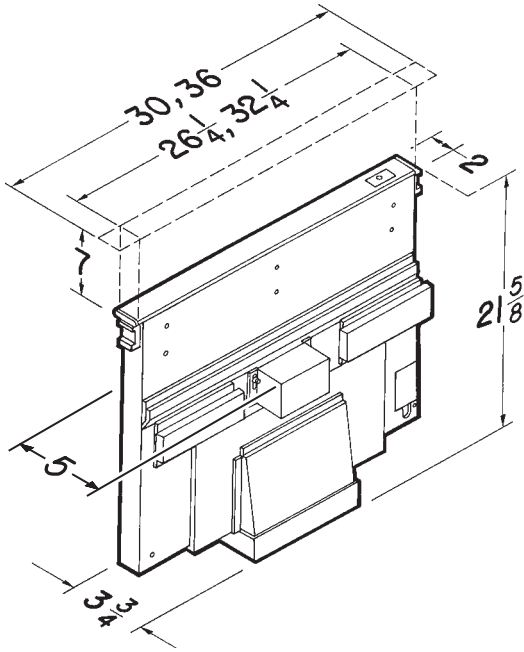
**Broan-NuTone LLC**, 926 West State Street, Hartford, WI 53027 (1-800-637-1453)  
**NuTone, Inc.**, 4820 Red Bank Road, Cincinnati, OH 45227 (1-800-543-8687)

REFERENCE	QTY.	REMARKS	Project
			Location
			Architect
			Engineer
			Contractor
			Submitted by <span style="float: right;">Date</span>

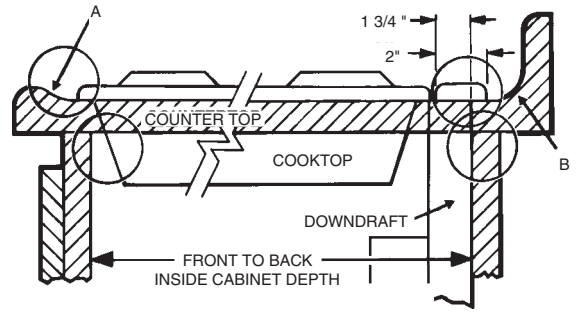
# INSTALLATION PLANNING - MODELS 2830 & 2836

## DIMENSIONS

NOTE: Dimensions shown are for reference only. Before cutting out countertop, refer to instructions packed with downdraft and cooktop.



## DOWNDRAFT



Refer to the cooktop installation instructions for dimensions of cooktop, countertop cut-out, and cabinet requirements. The 2830 and 2836 can be installed in most standard 30" and 36" wide cabinets.

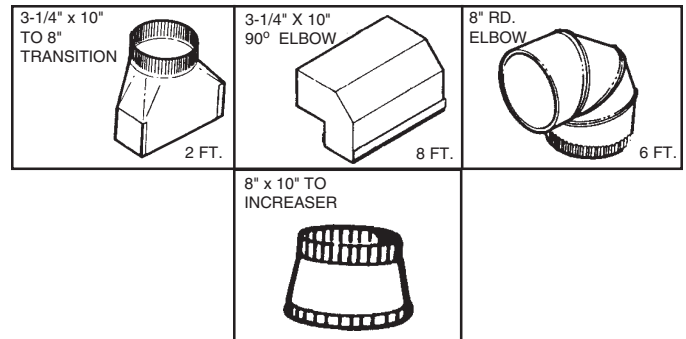
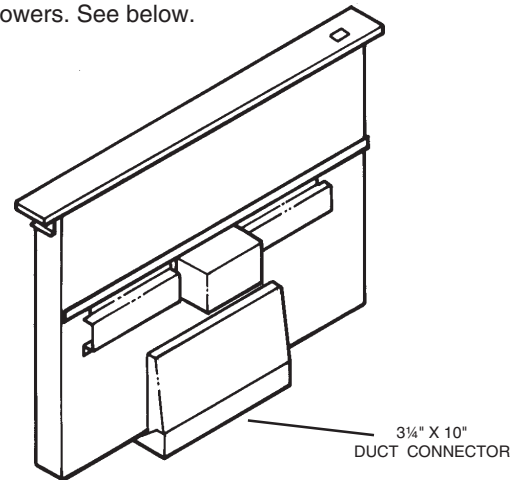
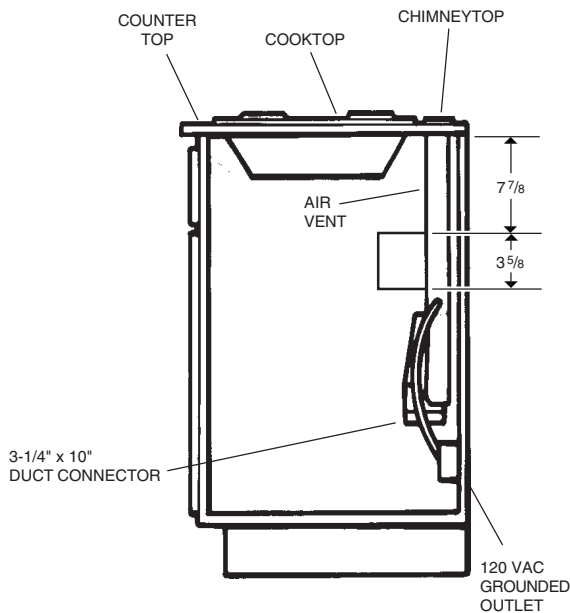
Cooktop depth can vary greatly from one to another. This may cause the fit of these two appliances to be rather tight.

Pay special attention to the 4 areas of potential interference highlighted above. The back of the downdraft cut-out will be 1-3/4" from the cooktop and 2" of FLAT countertop is needed behind cooktop.

## DUCTWORK

The downdraft has 3 1/4" x 10" discharge. Transitions are available to connect it to the 10" round inlet on the Broan Models 331 or 332 exterior blowers. See below.

## TYPICAL INSTALLATION



## ELECTRICAL

The unit has a 2 ft. power cord with a 3-pronged plug. Plan to provide a grounded outlet within reach of this cord. Outlet may also be wall-mounted, with access hole in cabinet. If local codes call for hard-wiring, see installation instructions.

The system will operate most efficiently when the ductwork does not exceed 40 feet of equivalent duct. The illustrations above, show equivalent feet of elbows and transitions. The number of feet of straight 3-1/4" x 10" or 6" duct plus the equivalent feet of elbows or transitions to be used should equal 40 feet or less.