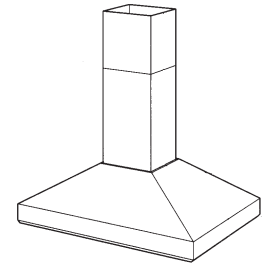


637004

(RANGEMASTER®
by Broan-NuTone)

RANGE HOOD



The sleek free-hanging design highlights a stylish focal point over any island or peninsula cook top.

FEATURES

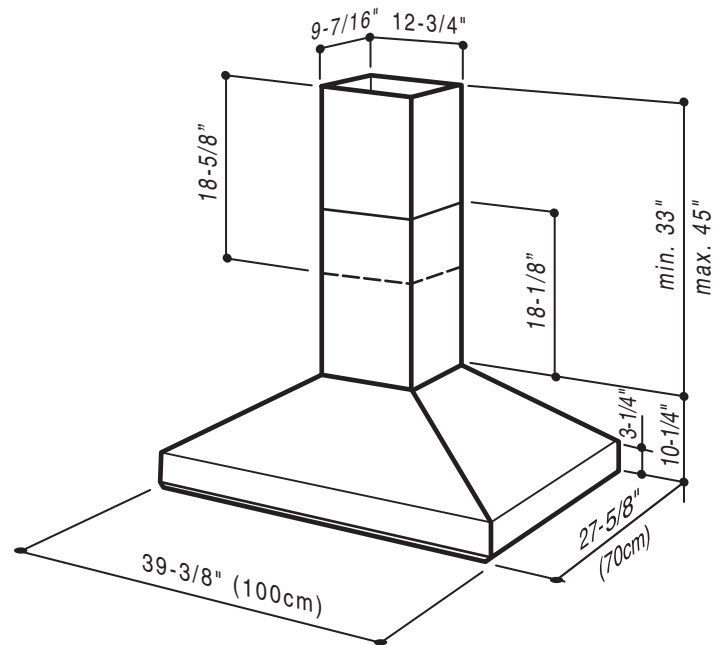
- Italian design
- Island ceiling mount
- Finish: 304 Stainless Steel #4 Brushed
- Size: 70cm x 100cm (27-5/8" x 39-3/8")
- Ducted telescopic flue accommodates 8' to 9' ceilings
- 8" round duct connector/backdraft damper
- Halogen lighting (4 x 20 watt, Type JC 12V 20W G4 base)
- Concealed three-speed slide control
- 900 CFM centrifugal blower
- Dishwasher-safe filters feature a quick-release latch and polished stainless steel
- Heat Sentry™ - automatically turns blower to high speed when excess cooking heat is detected

OPTIONS

- Replacement grease filters available
- Flue extension for 10' ceiling (Model No. RFX6304EX) (31-7/8" Long)
- Exterior blower version (637004EX) available, providing 600, 900, 1200, or 1500 CFM exhaust

SPECIFICATIONS

VOLTS	AMPS	CFM	SONES	DUCT
120	6.26	900	9.5	8" round



Mount range hood so bottom of hood is 24" minimum above cooking surface.

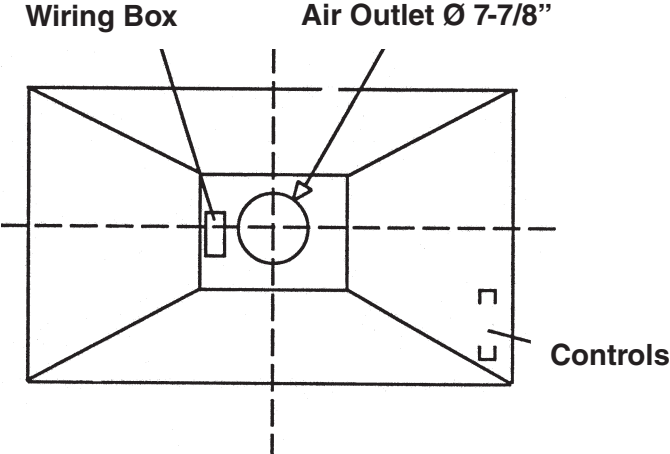


HVI-2100 CERTIFIED RATINGS comply with new testing technologies and procedures prescribed by the Home Ventilating Institute, for off-the-shelf products, as they are available to consumers. Product performance is rated at 0.1 in. static pressure, based on tests conducted in a state-of-the-art test laboratory. Sones are a measure of humanly-perceived loudness, based on laboratory measurements.

Broan-NuTone LLC Hartford, Wisconsin www.broan.com 800-558-1711
Broan-NuTone Canada Mississauga, Ontario www.broan.ca 877-896-1119

REFERENCE	QTY.	REMARKS	Project
			Location
			Architect
			Engineer
			Contractor
			Submitted by Date

637004 WIRING



637004 MOUNTING

