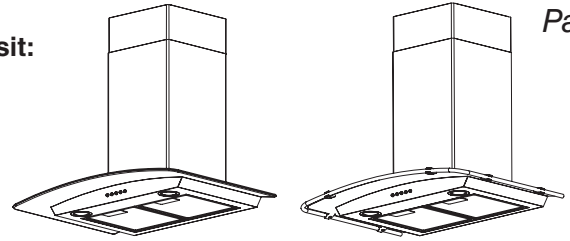


# CHIMNEY RANGE HOOD

To register this product visit:  
[www.broan.com](http://www.broan.com)



Page 1

## READ AND SAVE THESE INSTRUCTIONS

**⚠ INTENDED FOR DOMESTIC COOKING ONLY. ⚠**

### **⚠ WARNING**

**TO REDUCE THE RISK OF FIRE, ELECTRIC SHOCK, OR INJURY TO PERSON(S) OBSERVE THE FOLLOWING:**

1. Use this unit only in the manner intended by the manufacturer. If you have questions, contact the manufacturer at the address or telephone number listed in the warranty.
2. Before servicing or cleaning unit, switch power off at service panel and lock service disconnecting means to prevent power from being switch on accidentally. When the service disconnecting means cannot be locked, securely fasten a prominent warning device, such as a tag, to the service panel.
3. Installation work and electrical wiring must be done by qualified personnel in accordance with all applicable codes and standards, including fire-rated construction codes and standards.
4. Sufficient air is needed for proper combustion and exhausting of gases through the flue (chimney) of fuel burning equipment to prevent backdrafting. Follow the heating equipment manufacturer's guidelines and safety standards such as those published by the National Fire Protection Association (NFPA), the American Society for Heating, Refrigeration and Air Conditioning Engineers (ASHRAE) and the local code authorities.
5. When cutting or drilling into wall or ceiling, do not damage electrical wiring and other hidden utilities.
6. Ducted fans must always be vented to the outdoors.
7. Do not use this unit with any other solid-state speed control device.
8. To reduce the risk of fire, use only steel ductwork.
9. This unit must be grounded.

**TO REDUCE THE RISK OF A RANGE TOP GREASE FIRE:**

- a) Never leave surface units unattended at high settings. Boilovers cause smoking and greasy spillovers that may ignite. Heat oils slowly on low or medium settings.
- b) Always turn hood ON when cooking at high heat or when cooking flaming foods (i.e. Crêpes Suzette, Cherries Jubilee, Peppercorn Beef Flambé).
- c) Clean ventilating fans frequently. Grease should not be allowed to accumulate on fan or filters.
- d) Use proper pan size. Always use cookware appropriate for the size of the surface element.

### **⚠ WARNING**

**TO REDUCE THE RISK OF INJURY TO PERSON(S) IN THE EVENT OF A RANGE TOP GREASE FIRE, OBSERVE THE FOLLOWING\*:**

1. SMOTHER FLAMES with a close-fitting lid, cookie sheet, or metal tray, then turn off the burner. BE CAREFUL TO PREVENT BURNS. IF THE FLAMES DO NOT GO OUT IMMEDIATELY, EVACUATE AND CALL THE FIRE DEPARTMENT.
2. NEVER PICK UP A FLAMING PAN – You may be burned.
3. DO NOT USE WATER, including wet dishcloths or towels – This could cause a violent steam explosion.
4. Use an extinguisher ONLY if:
  - A. You know you have a Class ABC extinguisher and you know how to operate it.
  - B. The fire is small and contained in the area where it started.
  - C. The fire department has been called.
  - D. You can fight the fire with your back to an exit.

\* Based on "Kitchen Fire Safety Tips" published by NFPA.

### **CAUTION**

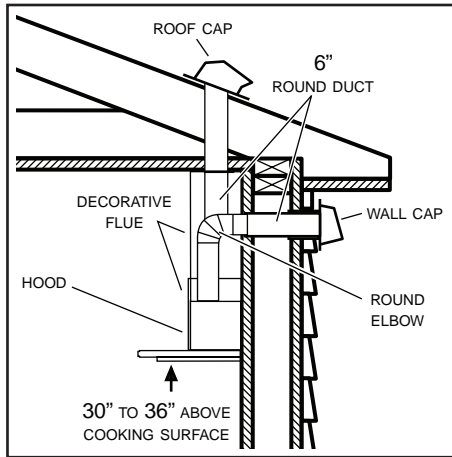
1. For indoor use only.
2. For general ventilating use only. Do not use to exhaust hazardous or explosive materials and vapors.
3. To avoid motor bearing damage and noisy and/or unbalanced impeller, keep drywall spray, construction dust, etc. off power unit.
4. Do not use over cooking equipment greater than 60,000 BTU/hr. as the blower motor will shut down intermittantly.
5. Your hood motor has a thermal overload which will automatically shut off the motor if it becomes overheated. The motor will restart when it will cool down. If the motor continues to shut off and restart, have the hood serviced.
6. The bottom of the hood MUST NOT BE LESS than 30" and at a maximum of 36" above cooktop for best capture of cooking impurities.
7. Two installers are recommended because of the size of this hood.
8. To reduce risk of fire and to properly exhaust air, be sure to duct air outside. Do not exhaust air into spaces within walls or ceilings or into attics, crawl spaces, or garages.
9. Be careful when installing the decorative flue and hood, they may have sharp edges.
10. Please read specification label on product for further information and requirements.

**INSTALLER: LEAVE THIS GUIDE TO THE HOMEOWNER.**

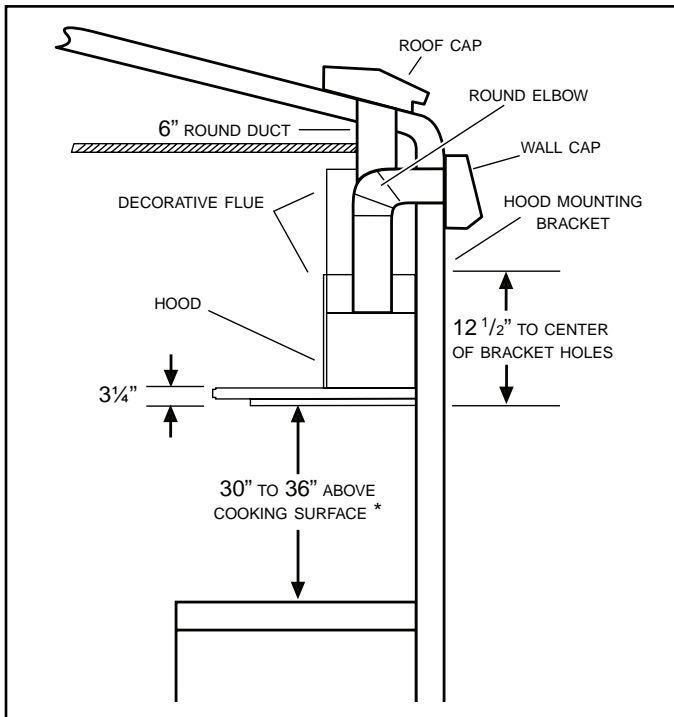
**HOMEOWNER: OPERATION AND MAINTENANCE INFORMATION ON PAGE 8.**

## INSTALL THE DUCTWORK (Ducted Hoods Only)

1. Decide where the ductwork will run between the hood and the outside.
2. A straight, short duct run will allow the hood to perform most efficiently.
3. Long duct runs, elbows and transitions will reduce the performance of the hood. Use as few of them as possible. Larger ducting may be required for best performance with longer duct runs.
4. Install wall cap or roof cap. Connect round metal ductwork to cap and work back towards the hood location. Use duct tape to seal the joints between ductwork sections.



## MEASURE THE INSTALLATION



The minimum hood distance above cooktop MUST NOT BE LESS than 30".

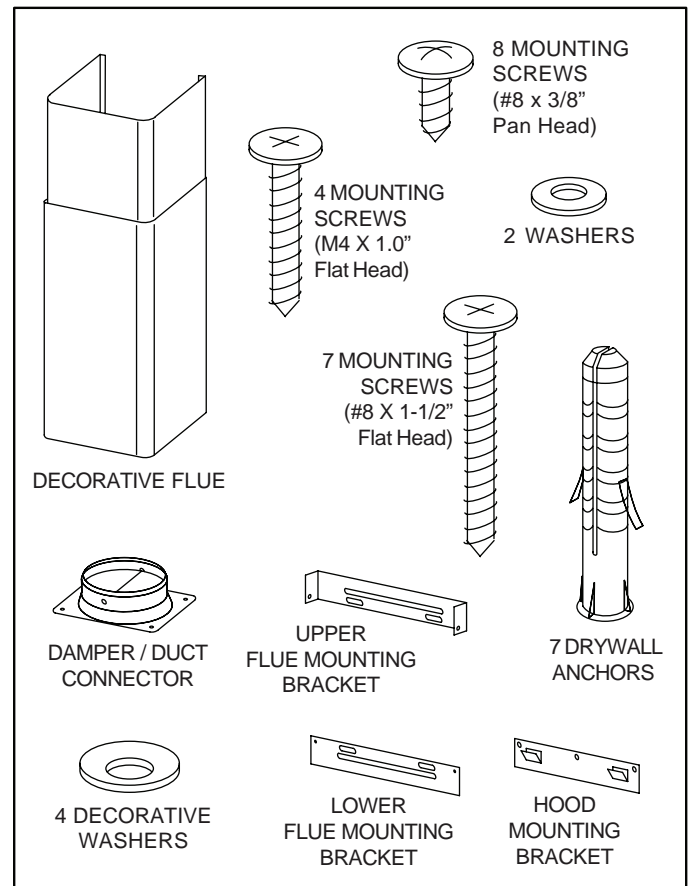
A maximum of 36" above cooktop is highly recommended for best capture of cooking impurities.

Distances over 36" are at the installer and users discretion; providing that the ceiling height permits.

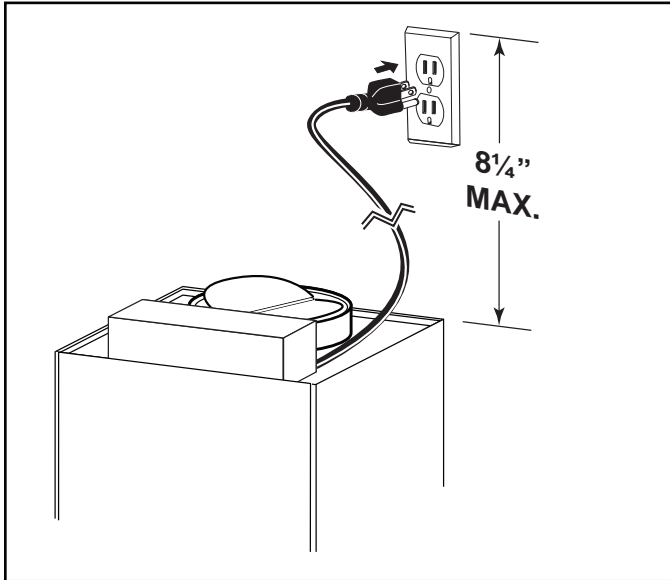
## PREPARE THE HOOD

Unpack hood and check contents. You should receive:

- 1 - Hood
- 1 - Glass Canopy (Models B5630SS & B5636SS)
- 1 - Metal Canopy (Models B5730SS & B5736SS)
- 1 - Decorative Flue Assembly
- 1 - Damper / Duct Connector
- 1 - Lower Flue Mounting Bracket
- 1 - Upper Flue Mounting Bracket
- 1 - Hood Mounting Bracket
- 2 - Aluminum Grease Filters (installed in hood)
- 1 - Parts Bag containing:
  - 8 - Mounting Screws (#8 x 3/8" Pan Head)
  - 7 - Mounting Screws (#8 x 1-1/2" Flat Head)
  - 4 - Mounting Screws (M4 x 1.0 Flat Head)
  - 7 - Drywall Anchors
  - 2 - Washers
  - 4 - Decorative Washers
- 1 - Installation Manual



## INSTALL THE WIRING

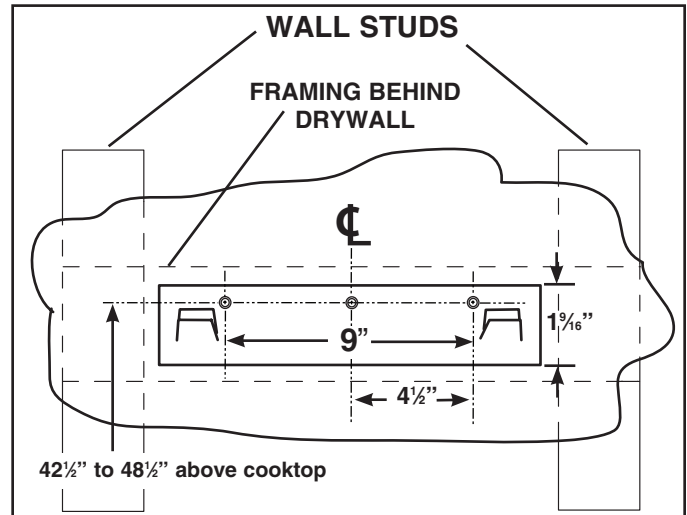


### 1. GROUNDING INSTRUCTIONS

This appliance must be grounded. In the event of an electrical short circuit, grounding reduces the risk of electric shock by providing an escape wire for the electric current. This appliance is equipped with a cord having a grounding wire with a grounding plug. The plug must be plugged into an outlet that is properly installed and grounded.

- Position the electrical outlet within the space covered by the decorative flue and where it will not interfere with the round duct. Make sure the outlet is no further than 8 1/4" from where the cord exits from the hood and that the outlet does not interfere with a mounting bracket fastening area or where the decorative flue touches the wall.

## INSTALL THE HOOD MOUNTING BRACKET



42 1/2" = bottom of hood 30" above cooktop  
48 1/2" = bottom of hood 36" above cooktop

- Construct wood wall framing that is flush with interior surface of wall studs.  
Make sure:
  - the framing is centered over installation location.
  - the height of the framing will allow the mounting bracket to be secured to the framing within the dimensions shown.
- After wall surface is finished, carefully center and level the hood mounting bracket and secure it to wall framing with (3) #8 x 1-1/2" mounting screws. Tighten the screws completely.

### NOTE:

#### On 8-ft. ceilings

Hood distance above cooktop is:  
Minimum 30", Maximum 36" (for ducted discharge)  
Minimum 30", Maximum 33" (for non-ducted discharge)

#### On 9-ft. ceilings

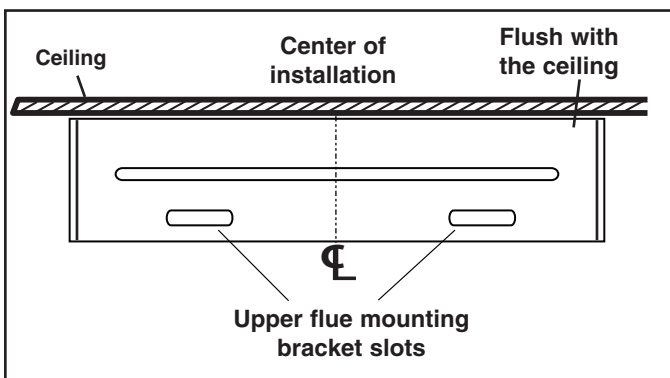
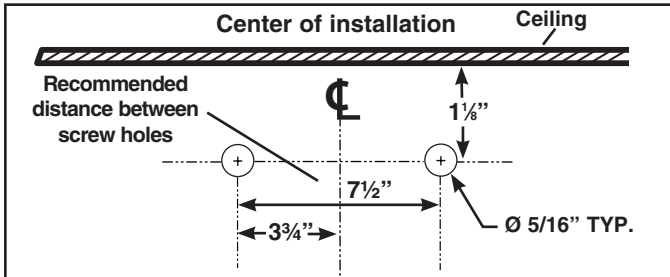
Hood distance above cooktop is:  
Minimum 31", Maximum 36" (for both ducted and non-ducted discharge)

#### On 10-ft. ceilings

Hood distance above cooktop is:  
Minimum 31", Maximum 36" (for both ducted and non-ducted discharge).

**NOTE: 10-ft. ceilings require 10-ft. Flue Extension, Model FXN56SS for ducted or non-ducted installations (purchase separately).**

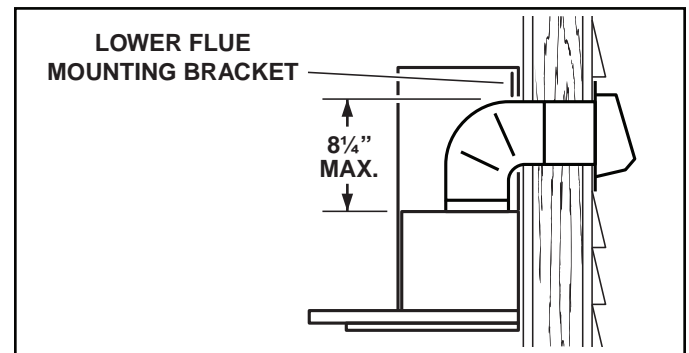
## INSTALL UPPER FLUE MOUNTING BRACKET



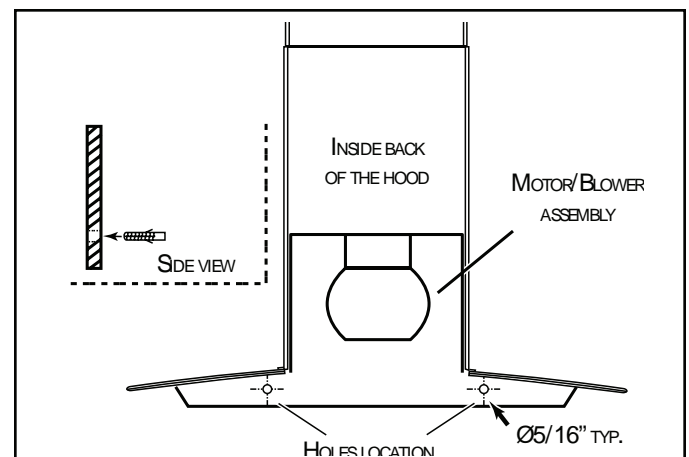
1. Drill two  $\frac{5}{16}$ " diameter holes where shown. Insert drywall anchors into the holes.
2. Center the bracket over the hood location and flush with the ceiling. Make sure that the slots of the upper flue bracket are at the bottom. Secure the upper flue bracket to the wall using (2) #8 x  $1\frac{1}{2}$ " mounting screws.
3. Tighten the screws completely. Make sure that the bracket is tight against the wall.

## INSTALL THE HOOD (Horizontally Ducted Hoods Only)

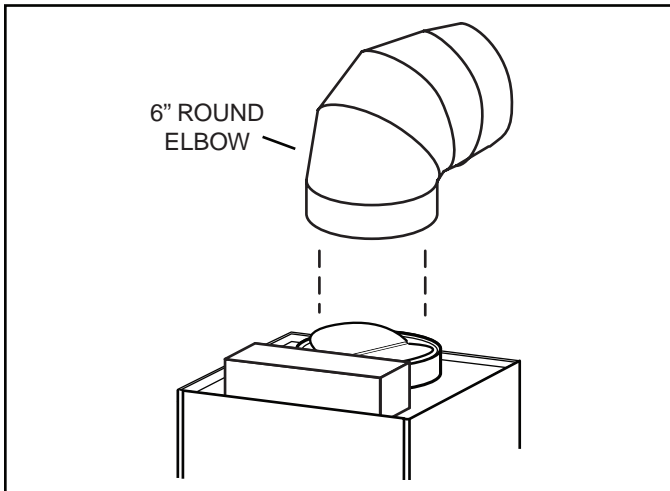
1. DO NOT REMOVE the protective plastic film covering the decorative flue and the hood at this time.
2. Lay the back side of the hood flat on a table. Use a piece of cardboard to avoid damaging the table or the hood.
3. Attach damper / duct connector to top of hood using (4) #8 x  $\frac{3}{8}$ " Pan Head mounting screws.
4. Remove the grease filters by pulling down the metal latch tab and tilting filters downward to remove.
5. Carefully rotate hood upright.



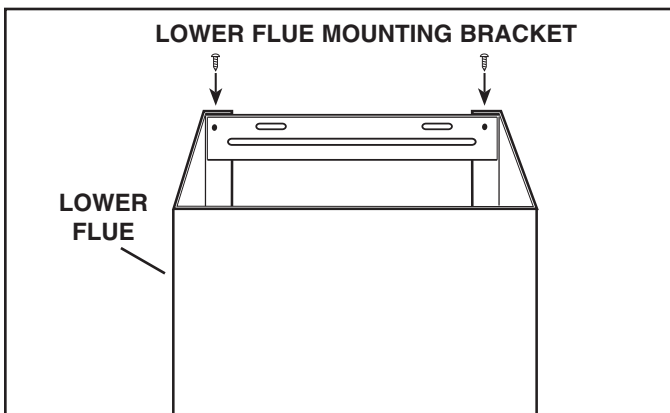
6. Make sure there will be adequate clearance between top of hood and lower flue mounting bracket for ductwork. Elbow must be located below lower flue mounting bracket.
7. Align the hood and center it above the hood mounting bracket. Gently lower the hood until it securely engages the bracket.



8. With the hood hanging in place, drill through the both holes located in the inside lower back of hood using a  $\frac{5}{16}$ " drill bit. Insert the included drywall anchors into the drilled holes (one for each hole). Install (2) washers and (2) no. 8 x  $1\frac{1}{2}$ " mounting screws through the back of the hood and into the drywall anchors. Verify that the hood is centered and leveled. Tighten all screws completely.
9. Reinstall grease filters by aligning rear filter tabs with slots in the hood. pull down the metal latch tab, push filter into position and release. Make sure filters are securely engaged after installation.

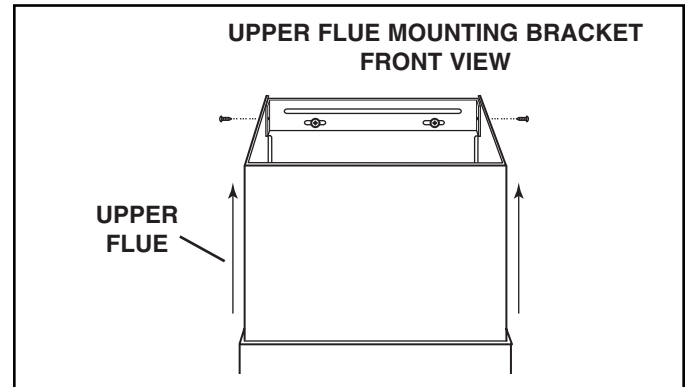


10. Measure and install 6" round steel ductwork to roof cap or wall cap and 90° elbow over duct collar on hood. Use duct tape to make all joints secure and air tight.
11. Plug hood power cord into the outlet.



**NOTE: 10-ft. ceilings require 10-ft. Flue Extension, Model FXN56SS for ducted or non-ducted installations (purchase separately). Discard the upper flue supplied with your hood and replace it with the Model FXN56SS flue extension.**

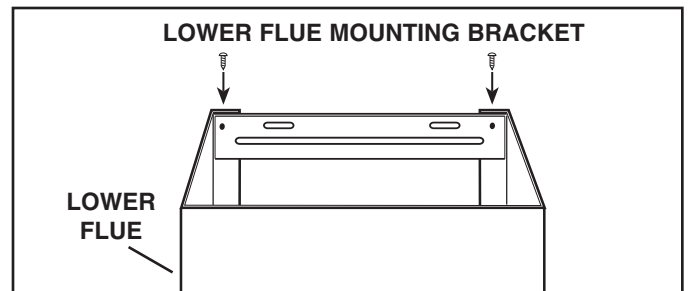
12. Remove the upper flue from inside the lower flue. Install the lower flue bracket to the lower flue using (2) flue bracket screws no. 8 x 3/8". Make sure that the slots are at the top. Remove protective plastic film covering the lower flue only. Carefully replace the upper flue inside the upper flue.
13. Carefully place both flues around the blower box on top of the hood.



14. Taking care not to scratch the upper flue, slide the upper flue upward until it is aligned with its mounting bracket. The bracket should be inside the flue. Secure the upper flue to the upper flue mounting bracket using (2) #8 x 3/8" mounting screws.
15. Remove protective plastic film covering the hood.
16. Mount the glass plate or the stainless steel plate on the top of hood base with (4) flat head screws (M4 x 1.0") and (4) decorative washers. Screw from top of hood base. Do not overtighten these screws.
17. Remove protective plastic film covering the lower flue.

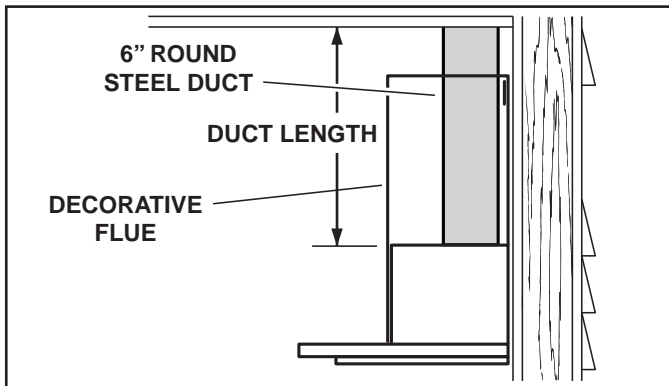
## INSTALL THE HOOD (Vertically Ducted Hoods Only)

1. DO NOT REMOVE the protective plastic film covering the decorative flue and the hood at this time.
2. Lay the back side of the hood flat on a table. Use a piece of cardboard to avoid damaging the table or the hood.
3. Attach damper / duct connector to top of hood using (4) #8 x 3/8" Pan Head mounting screws.
4. Remove the grease filters by pulling down the metal latch tab and tilting filters downward to remove.
5. Carefully rotate hood upright.

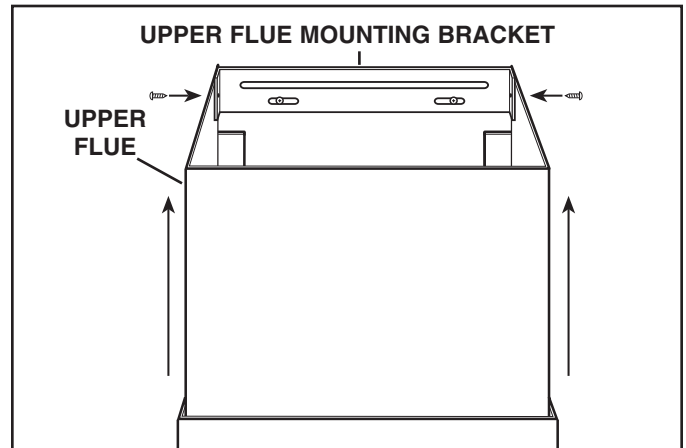


**NOTE: 10-ft. ceilings require 10-ft. Flue Extension Model FXN56SS (purchase separately). Discard the upper flue supplied with your hood and replace it with the Model FXN56SS flue extension.**

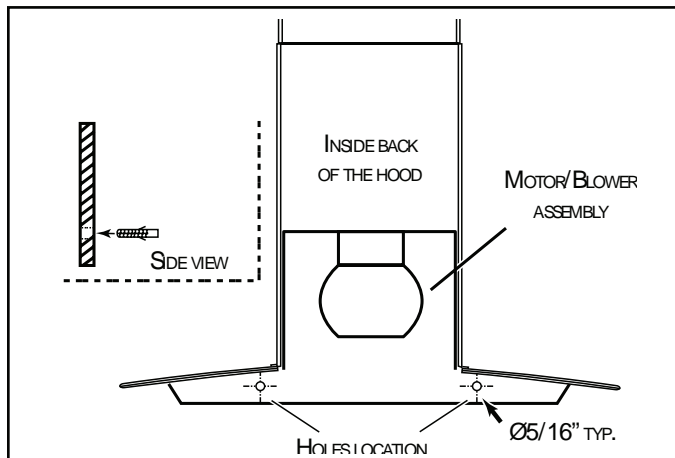
6. Remove the upper flue from inside the lower flue. Install the lower flue bracket to the lower flue using (2) flue bracket screws #8 x 3/8", make sure that the slots are at the top. Remove protective plastic film covering the lower flue only. Carefully replace the upper flue inside the upper flue.
7. Carefully place both flues around the blower box on top of the hood.



8. Measure and install steel ductwork to hood duct connector. Use duct tape to make all joints secure and air tight.
9. Hold hood up close to wall mounting location and plug power cord into wall outlet.
10. Align the hood and center it above the hood mounting bracket. Make sure ductwork on hood lines up and attaches to ductwork in ceiling. Gently lower the hood until it securely engages the bracket.
11. Use duct tape to make all joints secure and air tight.



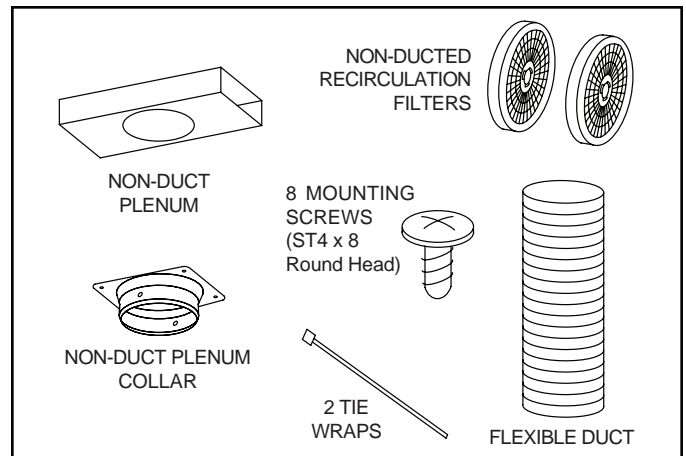
14. Taking care not to scratch the upper flue, slide the upper flue upward until it is aligned with its mounting bracket. The bracket should be inside the flue. Secure the upper flue to the upper flue mounting bracket using (2) #8 x 3/8" mounting screws.
15. Remove protective plastic film covering the hood.
16. Mount the glass plate or the stainless steel plate to the top of hood base with (4) flat head screws (M4 x 1.0") and (4) decorative washers. Screw from top of hood base. Do not overtighten these screws.
17. Remove protective plastic film covering the lower flue.



12. With the hood hanging in place, drill through both holes located in the inside lower back of hood using a 5/16" drill bit. Insert the included drywall anchors into the drilled holes (one for each hole). Install (2) washers and (2) #8 x 1-1/2" mounting screws through the hood back and into the drywall anchors. Verify that the hood is centered and leveled. Tighten all screws completely.
13. Reinstall grease filters by aligning rear filter tabs with slots in the hood. Pull down the metal latch tab, push filter into position and release. Make sure filters are securely engaged after installation.

## INSTALL THE HOOD (Non-Ducted Hoods Only)

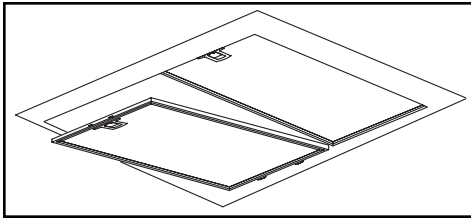
### NON-DUCT KIT MODEL RK56 CONTENTS



**NOTE: Non-ducted installations require Non-Duct Kit, Model RK56 (purchase separately).**

1. CAUTION: Do not use plastic or rigid metal duct.
2. Do not remove the protective plastic film covering the decorative flue and the hood at this time.
3. Lay the back side of the hood flat on a table. Use a piece of cardboard to avoid damaging the table or the hood.
4. Attach damper / duct connector to top of hood using (4) #8 x 3/8" Pan Head mounting screws.
5. Remove damper flaps from damper / duct connector and discard flaps.

- Remove the grease filters by pulling down the metal latch tab and tilting filters downward to remove.

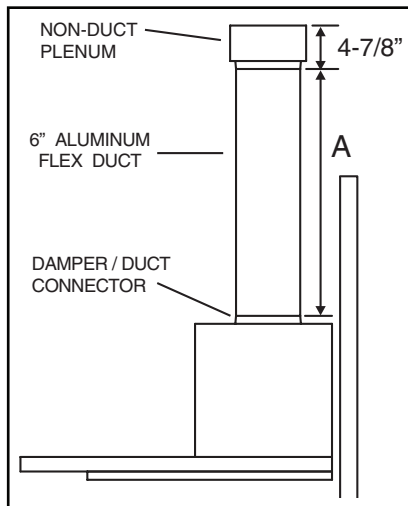


- Carefully rotate hood upright.
- Attach non-duct collar to non-duct plenum using (4) ST4 x 8 round head screws.

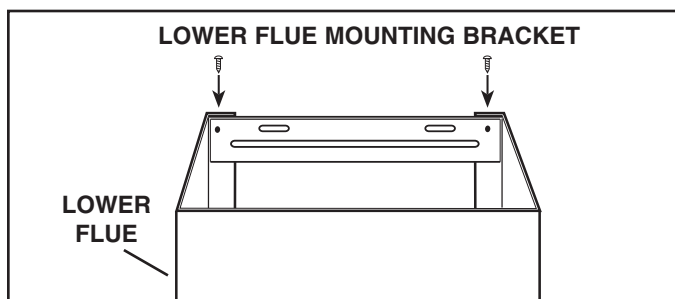
- Measure distance "A". This will be the length of the extended flex duct.

- Attach aluminum flexible duct to the damper / duct connector with a tie wrap.

- Attach flexible duct to non-duct plenum collar and secure with tie wrap. Tape all joints with duct tape.

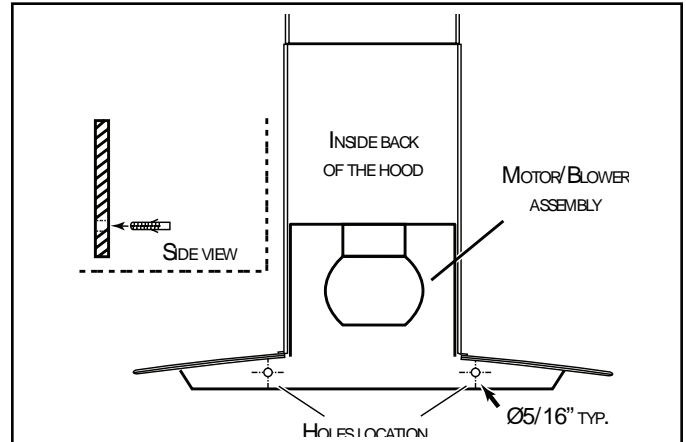


**NOTE: 10-ft. ceilings require 10-ft. Flue Extension, Model FXN56SS for ducted or non-ducted installations (purchase separately). Discard the upper flue supplied with your hood and replace it with the Model FXN56SS flue extension.**



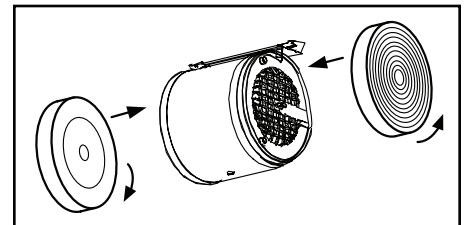
- Remove the upper flue from inside the lower flue. Install the lower flue bracket to the lower flue using (2) flue bracket screws #8 x 3/8", make sure that the slots are at the top. Remove protective plastic film covering the lower flue only. Carefully replace the upper flue inside the upper flue.
- Carefully place both flues around the blower box on top of the hood.
- Attach non-duct plenum with collar to upper flue using (4) ST4 x 8 round head screws.

- Hold hood up close to wall mounting location and plug power cord into wall outlet.
- Align the hood and center it above the hood mounting bracket. Gently lower the hood until it securely engages the bracket.



- With the hood hanging in place, drill through both holes located in the inside lower back of hood using a 5/16" drill bit. Insert the included drywall anchors into the drilled holes (one for each hole). Install (2) washers and (2) #8 x 1-1/2" mounting screws through the back of the hood and into the drywall anchors. Verify that the hood is centered and leveled. Tighten all screws completely.

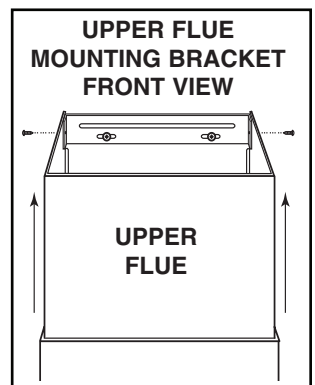
- Attach (2) two non-duct recirculation filters to sides of blower by aligning key lock slot and rotating until filters lock into place.



For replacement non-duct recirculation filters - purchase S97018030 or ROUNDFILTER.

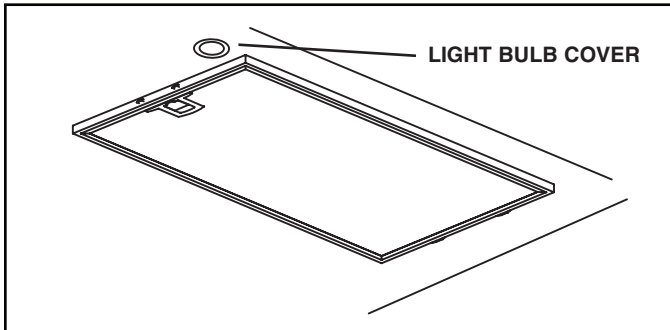
- Reinstall grease filters by aligning rear filter tabs with slots in the hood. Pull down the metal latch tab, push filter into position and release. Make sure filters are securely engaged after installation.

- Taking care not to scratch the upper flue, slide the upper flue upward until it is aligned with its mounting bracket. The bracket should be inside the flue. Secure the upper flue to the upper flue mounting bracket using (2) #8 x 3/8" mounting screws.



- Remove protective plastic film covering the hood.
- Mount the glass plate or the stainless steel plate on the top of hood base with (4) flat head screws (M4 x 1.0") and (4) decorative washers. Screw from top of hood base. Do not overtighten these screws.
- Remove protective plastic film covering the lower flue.

## LIGHT BULBS



### ⚠ WARNING

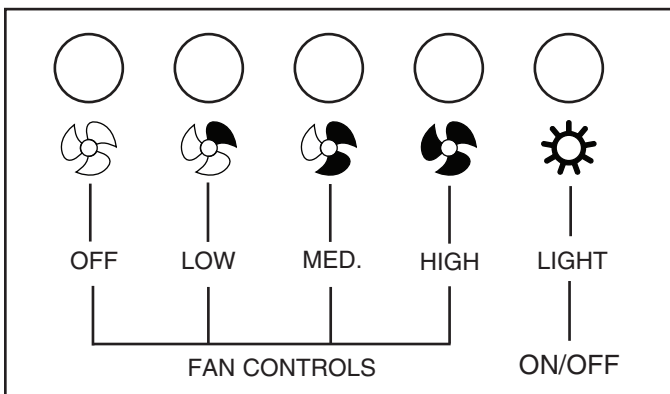
**Bulbs may be hot. Always allow bulbs to cool down before removing them.**

This range hood requires two halogen bulbs (Type JC, 12V, 20W Max, G-4 Base).

To change bulbs:

1. Remove light bulb cover by gently pushing it upward and turning it counterclockwise.
2. Replace bulb.
3. Re-install light bulb cover by gently pushing it upward and turning it clockwise.

## OPERATION



The hood is operated using the push buttons on the front panel.

Push the light button to turn the lights on and off.

Push the fan controls to select low, medium, or high blower speed.

Push the OFF button to turn the blower off.

## MAINTENANCE

### Grease Filters

Grease filters should be cleaned monthly. Remove grease filters by pulling down on the metal latch tab. This will disengage the filter from the hood. Tilt the filter downward and remove.

To clean all-metal filters: Use a warm detergent solution or put them in the dishwasher using a non-phosphate detergent. Discoloration of the filter may occur if using phosphate detergent or as a result of local water conditions - but this will not affect filter performance. This discoloration is not covered by the warranty.

### Non-Duct Recirculation Filters

Change the non-duct recirculation filters every 6 months. Rotate the filters to remove them from the blower and replace.

### Hood Cleaning

How to maintain the bright look of stainless steel and help prevent corrosion.

#### Do's:

- Once a month, wash surfaces with clean cloth or rag soaked with warm water and mild soap or liquid dish detergent.
- Always clean in the direction of original polish lines.
- Always rinse well with clear water (2 or 3 times) after cleaning. Wipe dry completely.
- You may also use a specialized household stainless steel cleaner.

#### Don't's:

- Do not use any steel or stainless steel wool or any other scrapers to remove stubborn dirt.
- Do not use any harsh or abrasive cleansers.
- Do not allow dirt to accumulate.
- Do not let plaster dust or any other construction residues reach the hood. During construction or renovation, cover the hood to make sure no dust sticks to stainless steel surface.

#### Avoid: when choosing a detergent

- Any cleaners that contain **bleach** will attack stainless steel.
- Any products containing : **chloride, fluoride, iodide, bromide** will deteriorate surfaces rapidly.
- Any **combustible products** used for cleaning such as **acetone, alcohol, ether, benzol**, etc., are highly explosive and should never be used close to a range.

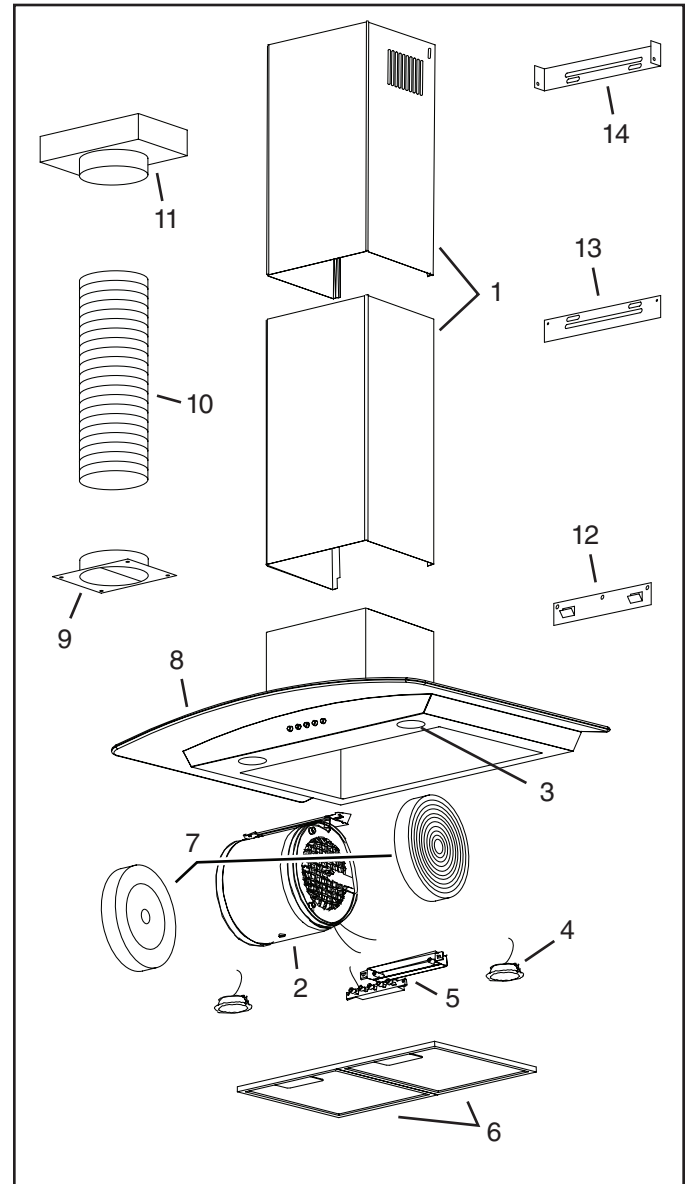
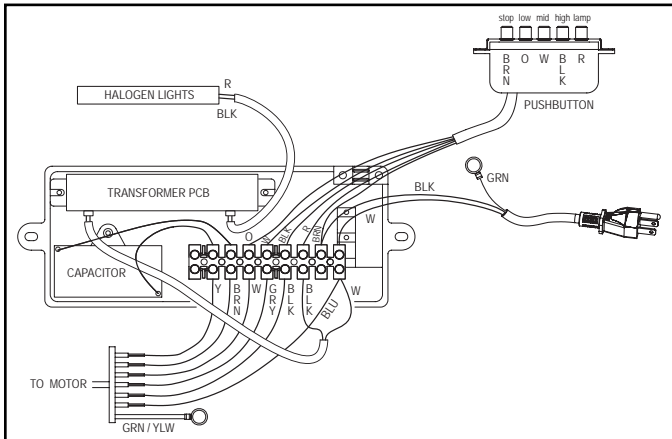


## SERVICE PARTS

| KEY | PART NO.  | DESCRIPTION                               | QTY. |
|-----|-----------|---|------|
| 1   | S99526973 | Decorative Upper and Lower Flues          | 1    |
| 2   | S99526974 | Motor / Blower Assembly                   | 1    |
| 3   | S99526975 | Light Socket Assembly                     | 2    |
| 4   | S99527010 | Light Trim Ring / Lens Assembly           | 2    |
| 5   | S99526976 | Push Button Assembly                      | 1    |
| 6   | S97018029 | Aluminum Grease Filters (pair)            | 2    |
| 7   | S97018030 | Non-Duct Recirculation Filters (pair)     | 2    |
| 8   | S99526981 | Curved Glass Plate (B5630SS)              | 1    |
|     | S99527024 | Curved Glass Plate (B5636SS)              | 1    |
|     | S99526982 | Curved Metal Plate with Rail (B5730SS)    | 1    |
|     | S99527025 | Curved Metal Plate with Rail (B5736SS)    | 1    |
| 9   | S99526983 | Damper / Duct Connector                   | 1    |
| 10  | S99526984 | 6" Dia. Expandable Flexible Aluminum Duct | 1    |
| 11  | S99526985 | Non-Duct Plenum Assembly                  | 1    |
| 12  | S99526987 | Hood Mounting Bracket                     | 1    |
| 13  | S99526989 | Lower Flue Mounting Bracket               | 1    |
| 14  | S99526991 | Upper Flue Mounting Bracket               | 1    |
|     | S99527011 | Transformer (not shown)                   | 1    |
|     | S99527012 | Capacitor (not shown)                     | 1    |
|     | S99527013 | Plastic Cover (not shown)                 | 1    |
|     | S99526994 | Parts Bag (not shown)                     | 1    |

Order service parts by Part No. - not by Key No.

## WIRING DIAGRAM



Replacement parts can be ordered on our website:  
[www.broan.com](http://www.broan.com)

## WARRANTY

### BROAN-NUTONE ONE YEAR LIMITED WARRANTY

Broan-NuTone warrants to the original consumer purchaser of its products that such products will be free from defects in materials or workmanship for a period of one year from the date of original purchase. THERE ARE NO OTHER WARRANTIES, EXPRESS OR IMPLIED, INCLUDING, BUT NOT LIMITED TO, IMPLIED WARRANTIES OF MERCHANTABILITY OR FITNESS FOR A PARTICULAR PURPOSE.

During this one-year period, Broan-NuTone will, at its option, repair or replace, without charge, any product or part which is found to be defective under normal use and service. THIS WARRANTY DOES NOT EXTEND TO FLUORESCENT LAMP STARTERS, TUBES, HALOGEN AND INCANDESCENT BULBS, FUSES, FILTERS, DUCTS, ROOF CAPS, WALL CAPS AND OTHER ACCESSORIES FOR DUCTING. This warranty does not cover (a) normal maintenance and service or (b) any products or parts which have been subject to misuse, negligence, accident, improper maintenance or repair (other than by Broan-NuTone), faulty installation or installation contrary to recommended installation instructions.

The duration of any implied warranty is limited to the one-year period as specified for the express warranty. Some states do not allow limitation on how long an implied warranty lasts, so the above limitation may not apply to you.

BROAN-NUTONE'S OBLIGATION TO REPAIR OR REPLACE, AT BROAN-NUTONE'S OPTION, SHALL BE THE PURCHASER'S SOLE AND EXCLUSIVE REMEDY UNDER THIS WARRANTY. BROAN-NUTONE SHALL NOT BE LIABLE FOR INCIDENTAL, CONSEQUENTIAL OR SPECIAL DAMAGES ARISING OUT OF OR IN CONNECTION WITH PRODUCT USE OR PERFORMANCE. Some states do not allow the exclusion or limitation of incidental or consequential damages, so the above limitation or exclusion may not apply to you.

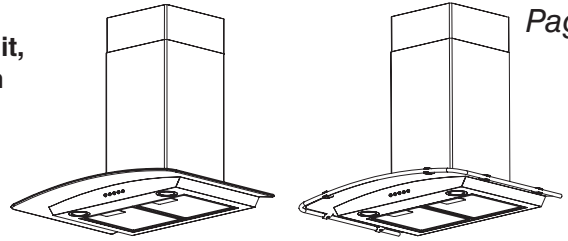
This warranty gives you specific legal rights, and you may also have other rights, which vary from state to state. This warranty supersedes all prior warranties.

To qualify for warranty service, you must (a) notify Broan-NuTone at the address or telephone number below, (b) give the model number and part identification and (c) describe the nature of any defect in the product or part. At the time of requesting warranty service, you must present evidence of the original purchase date.

Broan-NuTone LLC, 926 W. State Street, Hartford, Wisconsin 53027 [www.broan.com](http://www.broan.com) 800-558-1711  
 Broan-NuTone Canada, Inc., 1140 Tristar Drive, Mississauga, Ontario L5T 1H9 [www.broan.ca](http://www.broan.ca) 877-896-1119

# HOTTE DE CUISINE À CHEMINÉE

Pour enregistrer ce produit,  
visitez : [www.broan.com](http://www.broan.com)



Page 10

## LIRE CES DIRECTIVES ET LES CONSERVER

**⚠ POUR USAGE DOMESTIQUE SEULEMENT. ⚠**

### ⚠ AVERTISSEMENT

AFIN DE RÉDUIRE LES RISQUES D'INCENDIE, DE CHOC ÉLECTRIQUE OU DE BLESSURES CORPORELLES, VEUILLEZ OBSERVER LES DIRECTIVES SUIVANTES :

- N'utilisez cet appareil que de la manière prévue par le fabricant. Si vous avez des questions, communiquez avec le fabricant à l'adresse ou au numéro de téléphone indiqués dans la garantie.
- Avant de procéder à l'entretien ou au nettoyage de l'appareil, coupez l'alimentation du panneau électrique et verrouillez l'interrupteur principal afin d'empêcher que le courant ne soit accidentellement rétabli. S'il est impossible de verrouiller l'interrupteur principal, fixez solidement un message d'avertissement, par exemple une étiquette, sur le panneau électrique.
- L'installation et les branchements électriques doivent être effectués par un personnel compétent, conformément aux normes et aux codes en vigueur, y compris les normes et les codes du bâtiment relatifs à la résistance au feu.
- Pour éviter les refoulements, l'apport d'air doit être suffisant pour brûler les gaz produits par les appareils à combustion et les évacuer dans le conduit de fumée (cheminée). Respectez les directives du fabricant de l'appareil de chauffage et les normes de sécurité, notamment celles publiées par la National Fire Protection Association (NFPA), l'American Society for Heating, Refrigeration and Air Conditioning Engineers (ASHRAE) et les codes des autorités locales.
- Veillez à ne pas endommager le câblage électrique ou d'autres équipements non apparents lors de la découpe ou du perçage du mur ou du plafond.
- Les ventilateurs canalisés doivent toujours rejeter l'air à l'extérieur.
- N'utilisez pas de commande de régime à semi-conducteurs avec cet appareil.
- Pour réduire les risques d'incendie, utilisez seulement des conduits en acier.
- Cet appareil doit être relié à une mise à la terre.

### POUR RÉDUIRE LES RISQUES D'INCENDIE CAUSÉS PAR DE LA GRAISSE SUR LE PLAN DE CUISSON :

- Ne laissez jamais les éléments de surface allumés à haute température. Les débordements peuvent causer de la fumée et occasionner des écoulements de graisse inflammables. L'huile doit être chauffée graduellement à basse ou à moyenne température.
- Mettez toujours la hotte en MARCHE lors de la cuisson à feu vif ou lors de la cuisson d'aliments à flamber (par ex., crêpes Suzette, cerises jubilé, bœuf au poivre flambé).
- Nettoyez souvent la hotte. Ne laissez pas la graisse s'accumuler sur le ventilateur ou les filtres.
- Utilisez des casseroles de dimension appropriée. Utilisez toujours une batterie de cuisine adaptée à la dimension de la surface chauffante.

### ⚠ AVERTISSEMENT

OBSERVEZ LES CONSIGNES SUIVANTES AFIN DE RÉDUIRE LES RISQUES DE BLESSURES CORPORELLES EN CAS D'INCENDIE CAUSÉ PAR DE LA GRAISSE SUR LE PLAN DE CUISSON\* :

- ÉTOUFFEZ LES FLAMMES à l'aide d'un couvercle étanche, d'une tôle à biscuits ou d'un plateau en métal puis éteignez le brûleur. FAITES ATTENTION DE NE PAS VOUS BRÛLER. SI LES FLAMMES NE S'ÉTEignent PAS IMMÉDIATEMENT, QUITTEZ LES LIEUX ET APPELEZ LE SERVICE DES INCENDIES.
- NE SOULEVEZ JAMAIS UNE CASSEROLE EN FLAMMES – vous pourriez vous brûler.
- N'UTILISEZ PAS D'EAU, ni de linges ou de serviettes mouillés – une violente explosion de vapeur pourrait survenir.
- Utilisez un extincteur SEULEMENT si :
  - Vous savez qu'il est de classe ABC et vous connaissez déjà son mode de fonctionnement.
  - L'incendie n'est pas très important et ne se propage pas.
  - Vous avez déjà téléphoné au service des incendies.
  - Vous pouvez combattre l'incendie en faisant dos à une sortie.

\* Conseils tirés de la publication de la NFPA « Kitchen Fire Safety Tips ».

### ATTENTION

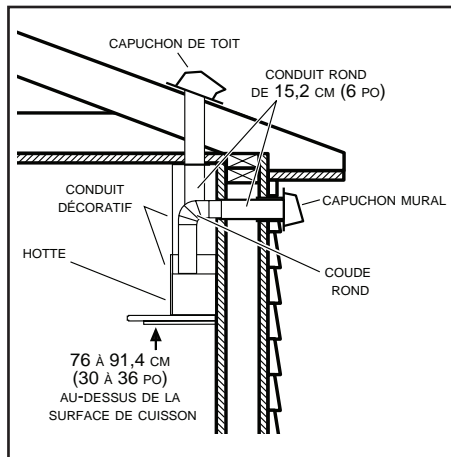
- Pour une utilisation en intérieur seulement.
- Cet appareil ne doit servir qu'à la ventilation générale. Ne pas l'utiliser pour l'évacuation de matières ou de vapeurs dangereuses ou explosives.
- Pour ne pas endommager les roulements du moteur, déséquilibrer les pales ou les rendre bruyantes, protégez l'appareil de la poussière de plâtre, de construction, etc.
- Ne pas utiliser cette hotte au-dessus d'un appareil de cuisson dépassant 60 000 BTU/heure car le moteur du ventilateur s'arrêtera par intermittence.
- Le moteur de la hotte est muni d'un dispositif de protection de surcharge électrique qui coupe automatiquement le moteur en cas de surchauffe. Il se remet en marche lorsqu'il a refroidi. Faites réparer la hotte si le moteur continue à fonctionner par intermittence.
- Pour mieux capter les vapeurs de cuisson, le bas de la hotte doit être au minimum à 76 cm (30 po) et au maximum à 91,4 cm (36 po) au-dessus de la surface de cuisson.
- Il est recommandé que les installateurs soient deux, compte tenu de la taille de cette hotte.
- Pour réduire les risques d'incendie et évacuer l'air correctement, assurez-vous qu'il est canalisé à l'extérieur. Ne pas évacuer l'air dans des espaces enfermés par des murs ou un plafond ou dans un grenier, un vide sanitaire ou un garage.
- Prenez garde en installant le conduit décoratif de cheminée et la hotte, car ils peuvent comporter des bords tranchants.
- Veillez lire l'étiquette de spécifications du produit pour obtenir plus de renseignements, notamment sur les exigences.

INSTALLATEUR : VEUILLEZ REMETTRE CE GUIDE AU PROPRIÉTAIRE.

PROPRIÉTAIRE : DIRECTIVES DE NETTOYAGE, D'ENTRETIEN ET D'UTILISATION À LA PAGE 17.

## INSTALLATION DES CONDUITS (hottes avec conduits seulement)

1. Planifiez la pose du conduit en déterminant son tracé entre la hotte et l'extérieur de la maison.
2. Un tracé droit et court permet à la hotte d'être plus efficace.
3. Des conduits longs, des coudes et des transitions réduisent l'efficacité de la hotte. N'en utilisez que le moins possible. Pour plus d'efficacité, des conduits plus gros peuvent être nécessaires si le parcours est trop long.
4. Installez le capuchon mural ou de toit. Connectez un conduit rond en métal au chapeau en progressant vers la hotte. Scellez les joints avec du ruban à conduit à chaque section.

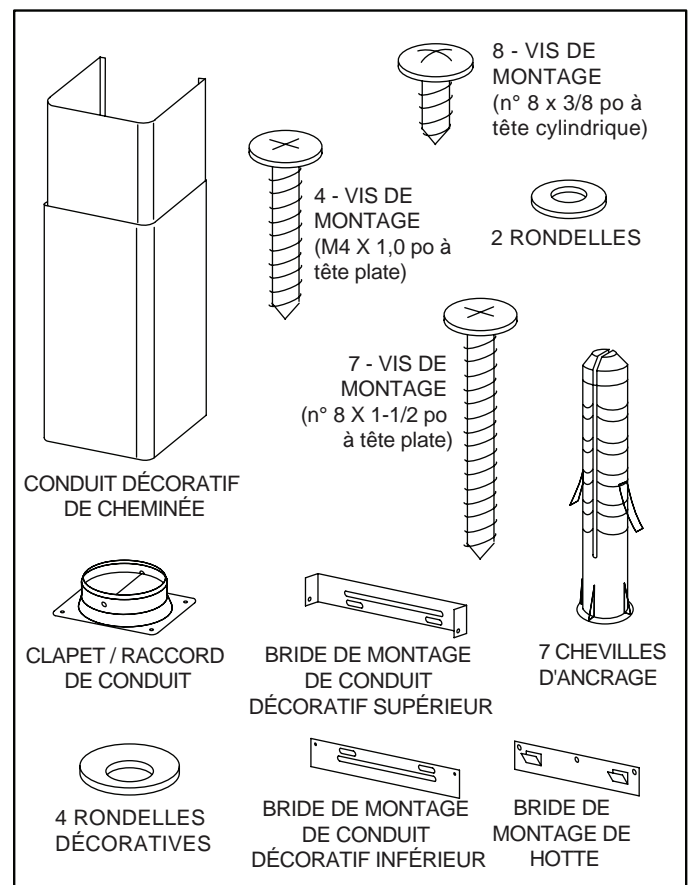
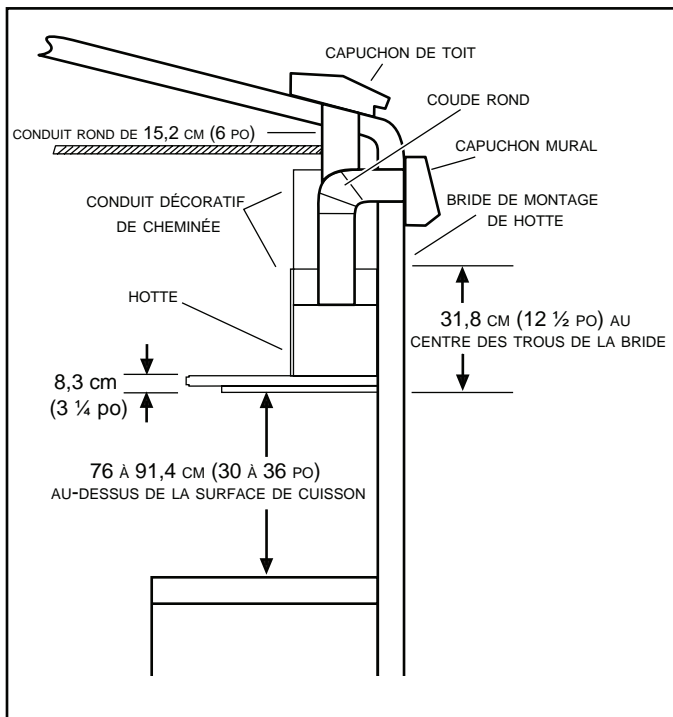


## PRÉPARATION DE LA HOTTE

Déballer la hotte et vérifier le contenu de la boîte. Celle-ci doit contenir les éléments suivants :

- 1 - Hotte
- 1 - Capot en verre (modèles B5630SS et B5636SS)
- 1 - Capot en métal (modèles B5730SS et B5736SS)
- 1 - Conduit décoratif de cheminée
- 1 - Clapet / raccord de conduit
- 1 - Bride de montage de conduit décoratif inférieur
- 1 - Bride de montage de conduit décoratif supérieur
- 1 - Bride de montage de hotte
- 2 - Filtres à graisse en aluminium (installés dans la hotte)
- 1 - Sac de pièces contenant :
  - 8 - Vis de montage (n° 8 x 3/8 po à tête cylindrique)
  - 7 - Vis de montage (n° 8 x 1-1/2 po à tête plate)
  - 4 - Vis de montage (M4 x 1,0 po à tête plate)
  - 7 - Chevilles d'ancrage pour cloisons sèches
  - 2 - Rondelles
  - 4 - Rondelles décoratives
- 1 - Manuel d'installation

## MESURES DE L'INSTALLATION

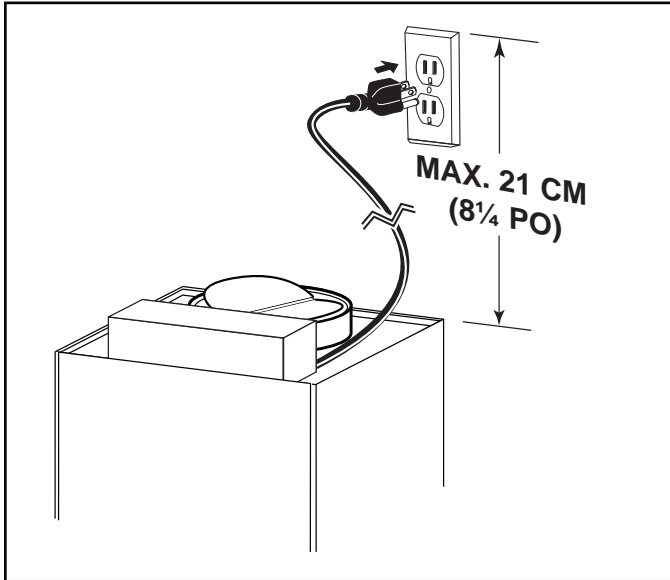


La distance minimale de la hotte au-dessus de la surface de cuisson NE DOIT PAS ÊTRE INFÉRIEURE à 76 cm (30 po).

Un maximum de 91,4 cm (36 po) est également fortement recommandé pour mieux capter les vapeurs de cuisson.

Une distance de plus de 36 po est laissée à la discrétion de l'installateur et des utilisateurs si la hauteur du plafond le permet.

## INSTALLATION DU CÂBLAGE

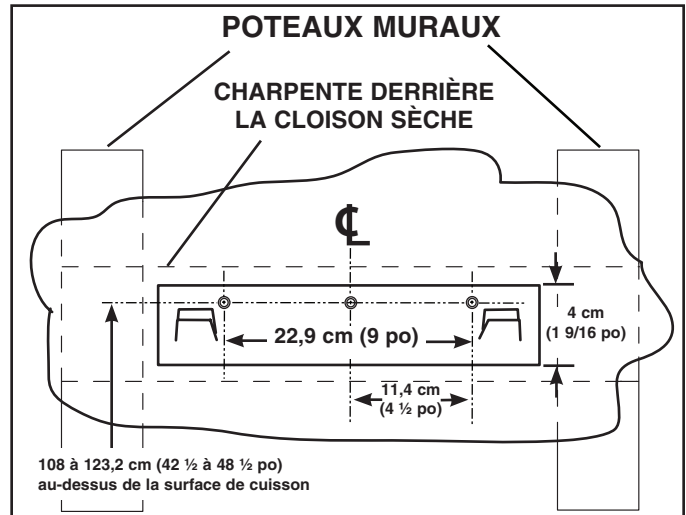


### 1. INSTRUCTIONS DE MISE À LA TERRE

Cet appareil doit être correctement mis à la terre. Dans l'éventualité d'un court-circuit, la mise à la terre réduit les risques de choc électrique en permettant au courant de s'échapper dans un fil. Cette appareil comporte un cordon électrique muni d'un fil et d'une fiche de mise à la terre. Cette fiche doit être branchée dans une prise de courant correctement installée et mise à la terre.

2. Placez la prise de courant dans l'espace recouvert par le conduit décoratif de cheminée et à un endroit où elle ne nuira pas au passage du conduit rond. Elle ne doit pas être à plus de 21 cm (8 1/4 po) du point où le cordon sort de la hotte et ne pas empiéter sur la zone de fixation d'une bride de montage et de l'endroit où le conduit décoratif touche au mur.

## INSTALLATION DE LA BRIDE DE MONTAGE DE LA HOTE



**108 cm (42 1/2 po) = bas de la hotte à 76 cm (30 po) au-dessus de la surface de cuisson**

**123,2 cm (48 1/2 po) = bas de la hotte à 91,4 cm (36 po) au-dessus de la surface de cuisson**

1. Construisez une charpente de bois qui affleure la surface intérieure des montants du mur.

Prenez soin :

- de centrer cette charpente avec l'emplacement d'installation.
- de donner une hauteur suffisante à la charpente afin de pouvoir y fixer solidement la bride de montage selon les mesures indiquées.

2. Une fois la surface du mur finie, centrez la bride de montage bien de niveau et fixez-la à la charpente à l'aide de trois (3) vis n° 8 x 1-1/2 po. Serrez complètement les vis.

### REMARQUE :

#### Pour les plafonds de 2,44 m (8 pi)

La distance de la hotte au-dessus de la surface de cuisson est :  
Au minimum 76 cm (30 po), au maximum 91,4 cm (36 po) (pour une sortie avec conduits)

Au minimum 76 cm (30 po), au maximum 83,8 cm (33 po) (pour une sortie sans conduits)

#### Pour les plafonds de 2,74 m (9 pi)

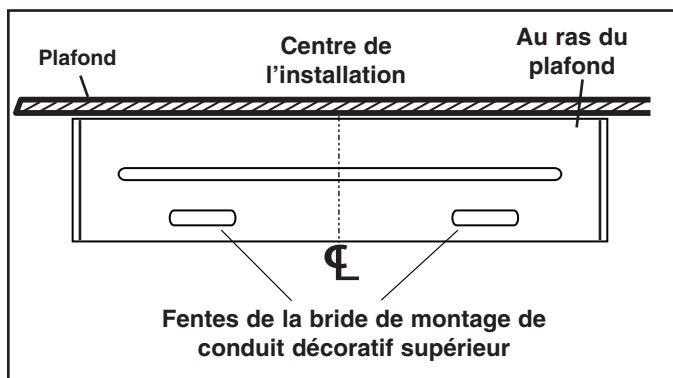
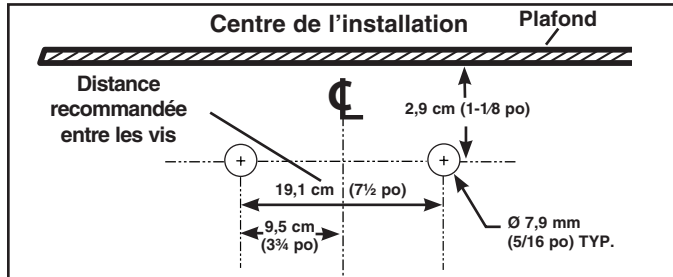
La distance de la hotte au-dessus de la surface de cuisson est :  
Au minimum 78,7 cm (31 po), au maximum 91,4 cm (36 po) (pour une sortie avec ou sans conduits)

#### Pour les plafonds de 3 m (10 pi)

La distance de la hotte au-dessus de la surface de cuisson est :  
Au minimum 78,7 cm (31 po), au maximum 91,4 cm (36 po) (pour une sortie avec ou sans conduits).

**REMARQUE : Les plafonds de 3 m (10 pi) exigent la Rallonge de conduit décoratif pour plafonds de 3 m (10 pi), modèle FXN56SS, pour les installations avec ou sans conduits (vendue séparément).**

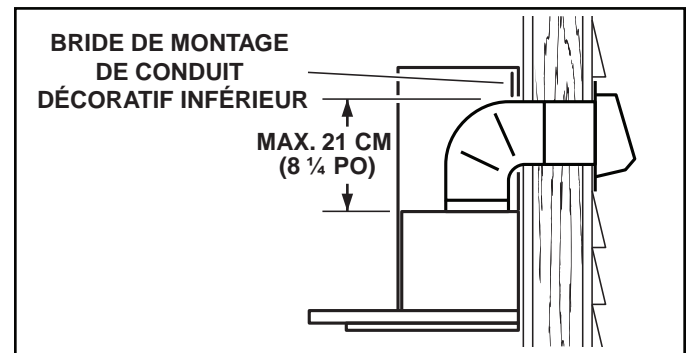
## INSTALLATION DE LA BRIDE DE MONTAGE DE CONDUIT DÉCORATIF SUPÉRIEUR



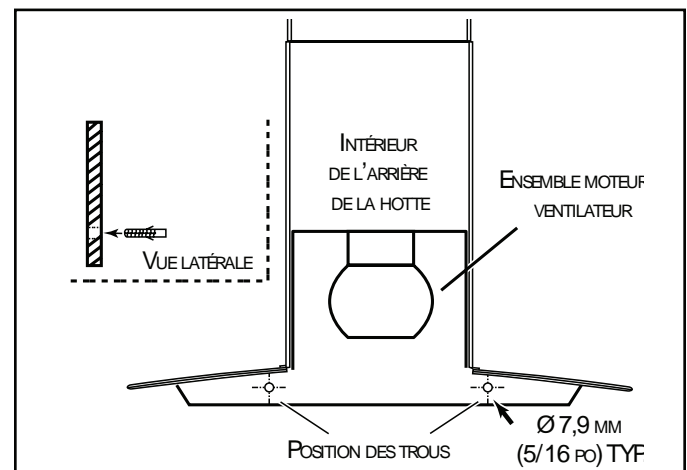
1. Percez deux trous de 7,9 mm (5/16 po) de diamètre aux endroits illustrés. Insérez les chevilles d'ancrage dans les trous.
2. Centrez la bride à l'emplacement de la hotte au ras avec le plafond. Assurez-vous que les fentes de la bride supérieure sont en bas. Fixez la bride supérieure au mur avec deux (2) vis de n° 8 x 1 1/2 po.
3. Serrez complètement les vis. Assurez-vous que la bride est fermement appuyée contre le mur.

## INSTALLATION DE LA HOTTE (hotte à conduits horizontaux seulement)

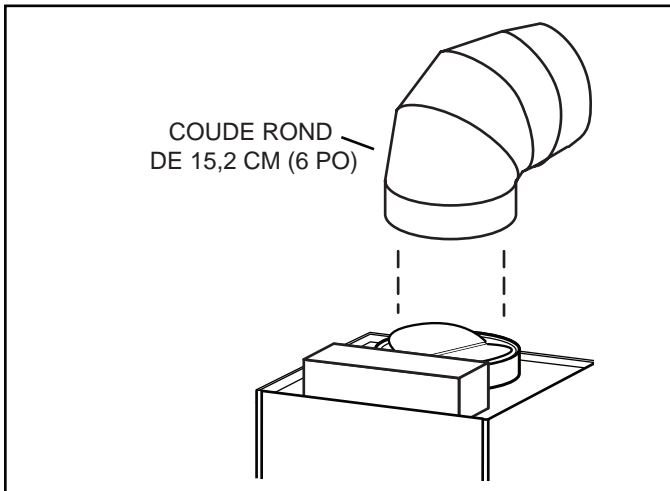
1. N'ENLEVEZ PAS À CETTE ÉTAPE la pellicule protectrice en plastique recouvrant la hotte et le conduit décoratif de cheminée.
2. Placez la hotte sur une table, sur le dos. Utilisez un carton pour éviter d'endommager la table ou la hotte.
3. Fixez le clapet / raccord de conduit au sommet du boîtier de la hotte à l'aide de (4) vis n° 8 x 3/8 po à tête cylindrique.
4. Enlevez les filtres à graisse en tirant vers le bas sur la languette métallique de retenue et en basculant les filtres vers le bas.
5. Avec précaution, tournez la hotte à la verticale.



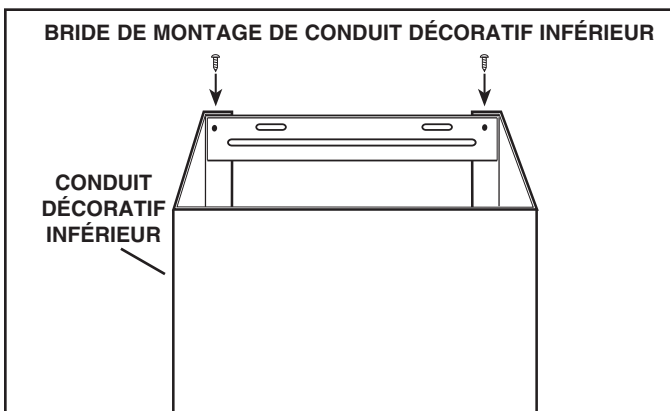
6. Assurez-vous qu'il y a suffisamment d'espace entre le haut de hotte et la bride de montage inférieure pour laisser passer le conduit. Le coude doit être situé en dessous de la bride de montage inférieure.
7. Alignez la hotte et centrez-la au-dessus de sa bride de montage. Abaissez doucement la hotte jusqu'à ce qu'elle s'engage solidement dans la bride.



8. La hotte étant suspendue en place, percez à travers les deux trous situés à l'intérieur de l'arrière du boîtier de la hotte à l'aide d'une mèche de 7,9 mm (5/16 po). Insérez les chevilles d'ancrage dans les trous percés (une dans chaque trou). Installez (2) rondelles et (2) vis n° 8 x 1 1/2 po à travers l'arrière de la hotte et dans les chevilles d'ancrage. Vérifiez que la hotte est centrée et de niveau. Serrez complètement les vis.
9. Pour remettre les filtres à graisse, alignez les ergots arrière des filtres dans les fentes de la hotte. Tirez la languette métallique vers le bas, poussez le filtre en place et relâchez la languette. Vérifiez si les filtres sont bien fixés une fois remplacés.

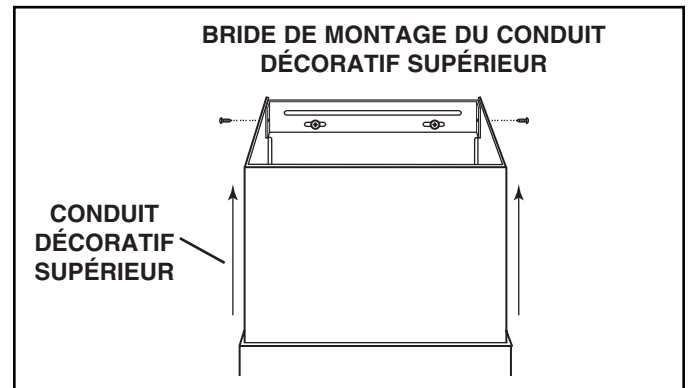


- Mesurez et installez un conduit rond de 15,2 cm (6 po) jusqu'au capuchon de toit ou capuchon mural et un coude de 90° sur le raccord de conduit de la hotte. Utilisez du ruban pour conduit afin de fixer solidement tous les joints et les étancher.
- Branchez le cordon électrique de la hotte dans la prise.



**REMARQUE :** Les plafonds de 3 m (10 pi) exigent la Rallonge de conduit décoratif pour plafonds de 3 m (10 pi), modèle FXN56SS, pour les installations avec ou sans conduits (vendue séparément). Jetez le conduit décoratif supérieur fourni avec votre hotte et remplacez-le par la rallonge de conduit, modèle FXN56SS.

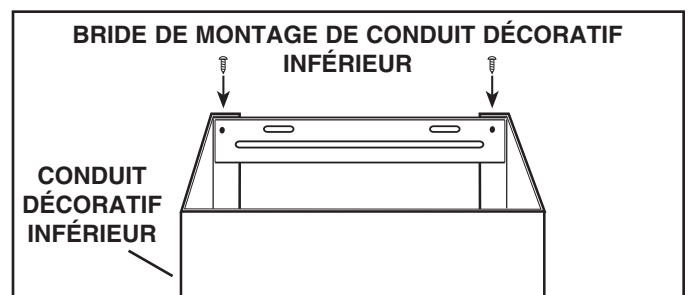
- Enlevez la section supérieure de conduit décoratif qui se trouve à l'intérieur du conduit inférieur. Fixez la bride sur le conduit décoratif inférieur à l'aide de (2) vis n° 8 x 3/8 po. Assurez-vous que les fentes sont en haut. Glissez soigneusement le conduit décoratif supérieur à l'intérieur du conduit décoratif supérieur. Enlevez uniquement la pellicule protectrice en plastique recouvrant le conduit décoratif inférieur.
- Placez soigneusement les conduits décoratifs autour de la boîte du ventilateur sur le dessus de la hotte.
- Prendre soin de ne pas égratigner le conduit décoratif supérieur, glissez le conduit décoratif supérieur vers le haut jusqu'à ce qu'il soit aligné avec sa bride de montage supérieure. La bride doit être à l'intérieur du conduit décoratif. Fixez le conduit supérieur à la bride supérieure avec deux (2) vis de n° 8 x 3/8 po.



- Enlevez la pellicule protectrice en plastique recouvrant la hotte.
- Installez la plaque de verre ou d'acier inoxydable sur le dessus de la base de la hotte avec (4) vis à tête plate (M4 x 1,0 po) et (4) rondelles décoratives. Vissez-la par le dessus de la base. Ne serrez pas trop ces vis.
- Retirez le film de protection en plastique recouvrant le conduit inférieur.

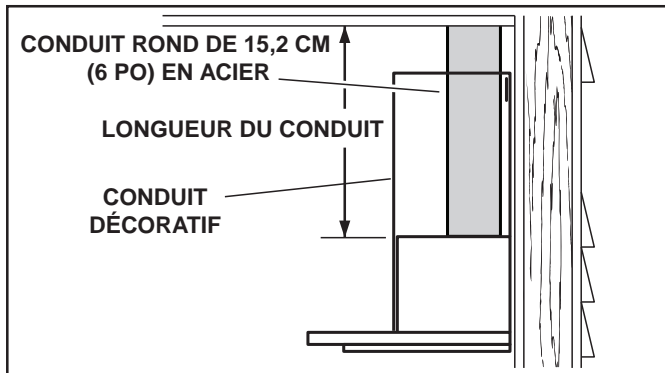
## INSTALLATION DE LA HOTTE (hotte à conduits verticaux seulement)

- N'ENLEVEZ PAS À CETTE ÉTAPE la pellicule protectrice en plastique recouvrant la hotte et le conduit décoratif de cheminée.
- Placez la hotte sur une table, sur le dos. Utilisez un carton pour éviter d'endommager la table ou la hotte.
- Fixez le clapet / raccord de conduit au sommet du boîtier de la hotte à l'aide de (4) vis n° 8 x 3/8 po à tête cylindrique.
- Enlevez les filtres à graisse en tirant vers le bas sur la languette métallique de retenue et en basculant les filtres vers le bas.
- Avec précaution, tournez la hotte à la verticale.

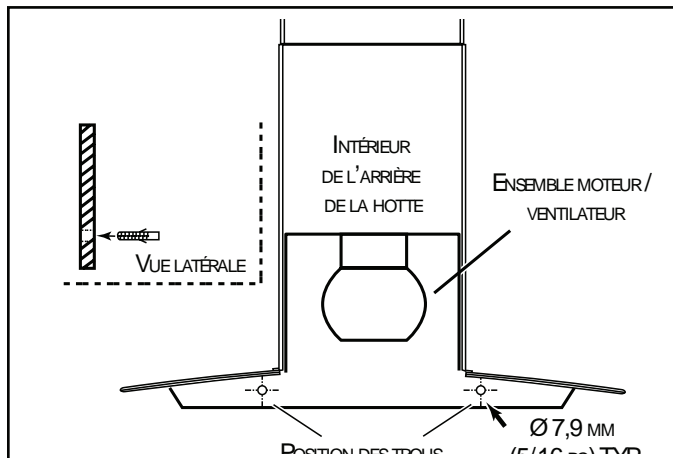


**REMARQUE :** Les plafonds de 3 m (10 pi) exigent la Rallonge de conduit décoratif pour plafonds de 3 m (10 pi), modèle FXN56SS (vendue séparément). Jetez le conduit décoratif supérieur fourni avec votre hotte et remplacez-le par la rallonge de conduit décoratif, modèle FXN56SS.

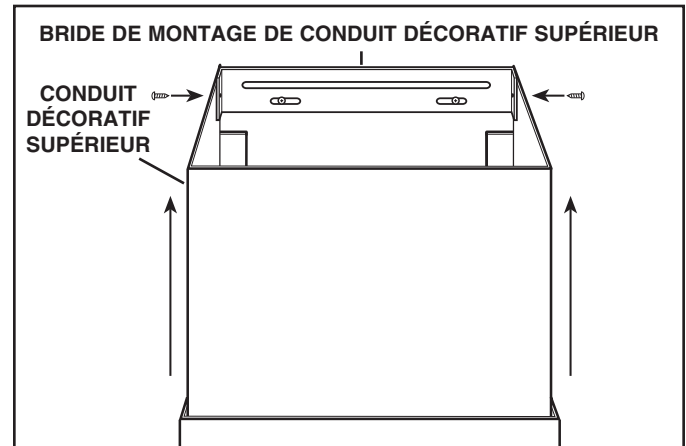
- Enlevez la section supérieure de conduit décoratif qui se trouve à l'intérieur du conduit inférieur. Fixez la bride sur le conduit décoratif inférieur à l'aide de (2) vis n° 8 x 3/8 po en vous assurant que les fentes sont en haut. Glissez soigneusement le conduit décoratif supérieur à l'intérieur du conduit décoratif supérieur. Enlevez uniquement la pellicule protectrice en plastique recouvrant le conduit décoratif inférieur.
- Placez soigneusement les conduits décoratifs autour de la boîte du ventilateur sur le dessus de la hotte.



8. Mesurez et fixez le conduit en acier sur le raccord de la hotte. Utilisez du ruban pour conduit afin de fixer solidement tous les joints et les étancher.
9. Soulevez la hotte, maintenez-la près de son emplacement et branchez son cordon électrique dans la prise.
10. Alignez la hotte et centrez-la au-dessus de sa bride de montage. Assurez-vous qu'elle est alignée avec le conduit du plafond et fixez celui-ci. Abaissez doucement la hotte jusqu'à ce qu'elle s'engage solidement dans la bride.
11. Utilisez du ruban pour conduit afin de fixer solidement tous les joints et les étancher.



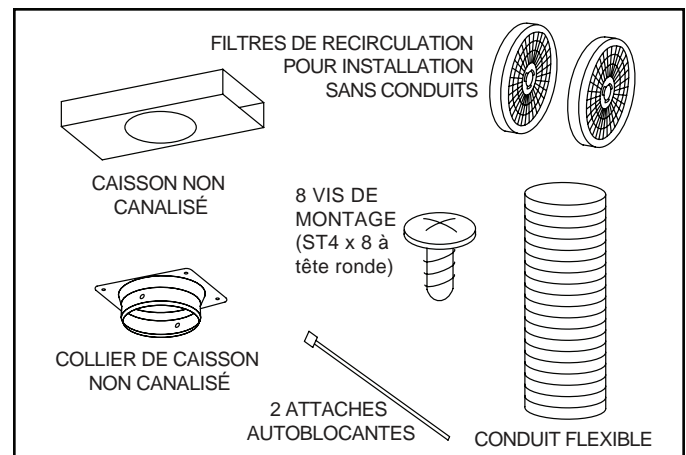
12. La hotte étant suspendue en place, percez à travers les deux trous situés à l'intérieur de l'arrière du boîtier de la hotte à l'aide d'une mèche de 7,9 mm (5/16 po). Insérez les chevilles d'ancrage dans les trous percés (une dans chaque trou). Installez (2) rondelles et (2) vis n° 8 x 1 po à travers l'arrière de la hotte et dans les chevilles d'ancrage. Vérifiez que la hotte est centrée et de niveau. Serrez complètement les vis.
13. Pour remettre les filtres à graisse, alignez les ergots arrière des filtres dans les fentes de la hotte. Tirez la languette métallique vers le bas, poussez le filtre en place et relâchez la languette. Vérifiez si les filtres sont bien fixés une fois replacés.



14. Prendre soin de ne pas égratigner le conduit décoratif supérieur, glissez le conduit décoratif supérieur vers le haut jusqu'à ce qu'il soit aligné avec sa bride de montage. La bride doit être à l'intérieur du conduit décoratif. Fixez le conduit supérieur à la bride supérieure avec deux (2) vis de n° 8 x 3/8 po.
15. Enlevez la pellicule protectrice en plastique recouvrant la hotte.
16. Installez la plaque de verre ou d'acier inoxydable sur le dessus de la base de la hotte avec (4) vis à tête plate (M4 x 1,0 po) et (4) rondelles décoratives. Vissez-la par le dessus de la base. Ne serrez pas trop ces vis.
17. Retirez le film de protection en plastique recouvrant le conduit inférieur.

## INSTALLATION DE LA HOTTE (hotte sans conduits seulement)

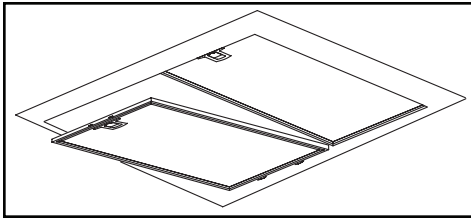
### CONTENU DE L'ENSEMBLE MODÈLE RK56 POUR HOTTE SANS CONDUITS



**REMARQUE :** Les installations sans conduits nécessitent l'ensemble sans conduits, modèle RK56 (vendu séparément).

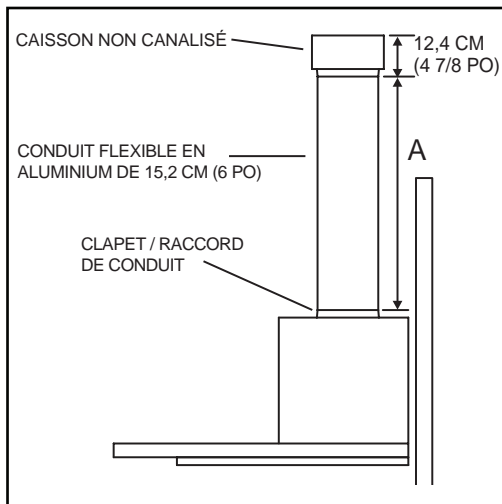
1. ATTENTION : N'utilisez pas de conduit en métal rigide ou en plastique.
2. N'enlevez pas à cette étape la pellicule protectrice en plastique recouvrant la hotte et le conduit décoratif de cheminée.
3. Placez la hotte sur une table, sur le dos. Utilisez un carton pour éviter d'endommager la table ou la hotte.
4. Fixez le clapet / raccord de conduit au sommet du boîtier de la hotte à l'aide de (4) vis n° 8 x 3/8 po à tête cylindrique.
5. Enlevez les clapets de l'ensemble clapet / raccord de conduit et jetez-les.

6. Enlevez les filtres à graisse en tirant vers le bas sur la languette métallique de retenue et en basculant les filtres vers le bas.



7. Tournez délicatement le hotte verticale.  
8. Fixez le collier d'installation sans conduits au caisson non canalisé à l'aide de (4) vis ST4 x 8 à tête ronde.

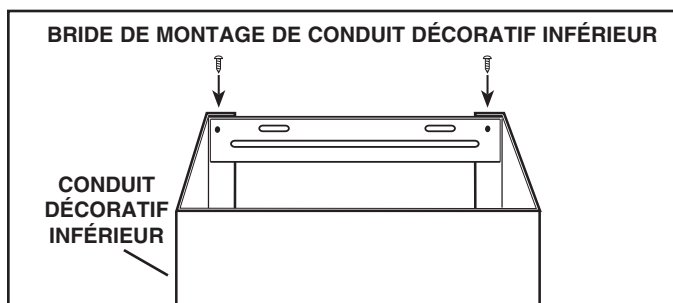
9. Mesurez la distance « A ». Elle correspondra à la longueur du conduit flexible allongé.



10. Fixez le conduit flexible en aluminium au clapet / raccord de conduit avec l'attache autoblocante.

11. Fixez le conduit flexible au collier du caisson avec l'attache autoblocante. Scellez tous les joints avec du ruban à conduit.

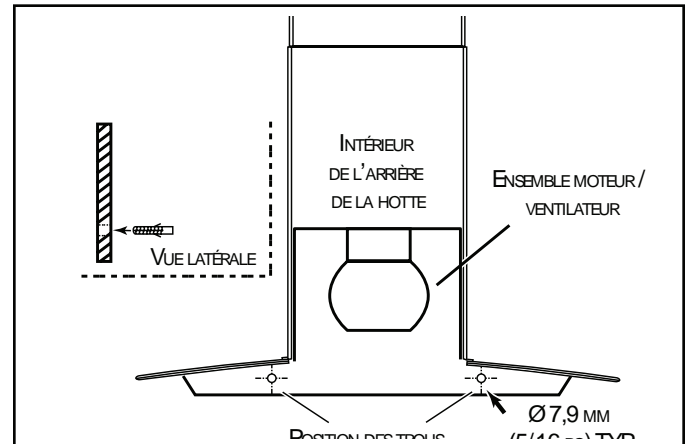
**REMARQUE :** Les plafonds de 3 m (10 pi) exigent la Rallonge de conduit décoratif pour plafonds de 3 m (10 pi), modèle FXN56SS, pour les installations avec ou sans conduits (vendue séparément). Jetez le



conduit décoratif supérieur fourni avec votre hotte et remplacez-le par la rallonge de conduit décoratif, modèle FXN56SS.

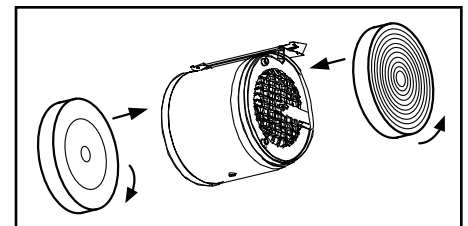
12. Enlevez la section supérieure de conduit décoratif qui se trouve à l'intérieur du conduit inférieur. Fixez la bride sur le conduit décoratif inférieur à l'aide de (2) vis n° 8 x 3/8 po en vous assurant que les fentes sont en haut. Glissez soigneusement le conduit décoratif supérieur à l'intérieur du conduit décoratif supérieur. Enlevez uniquement la pellicule protectrice en plastique recouvrant le conduit décoratif inférieur.  
13. Placez soigneusement les conduits décoratifs dans l'espace au-dessus de la hotte.  
14. Fixez le caisson non canalisé et son collier au conduit décoratif supérieur à l'aide de (4) vis ST4 x 8 à tête ronde.

15. Soulevez la hotte, maintenez-la près de son emplacement et branchez son cordon électrique dans la prise.  
16. Alignez la hotte et centrez-la au-dessus de sa bride de montage. Abaissez doucement la hotte jusqu'à ce qu'elle s'engage solidement dans la bride.



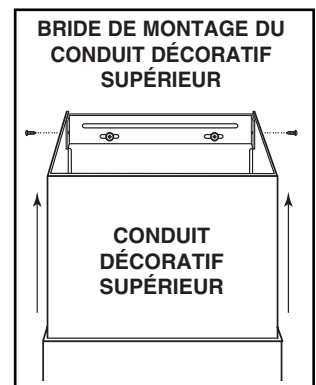
17. La hotte étant suspendue en place, percez à travers les deux trous situés à l'intérieur de l'arrière du boîtier de la hotte à l'aide d'une mèche de 7,9 mm (5/16 po). Insérez les chevilles d'ancrage dans les trous percés (une dans chaque trou). Installez (2) rondelles et (2) vis n° 8 x 1 1/2 po à travers l'arrière de la hotte et dans les chevilles d'ancrage. Vérifiez que la hotte est centrée et de niveau. Serrez complètement les vis.

18. Fixez deux (2) filtres de recirculation aux côtés du ventilateur en alignant le cran de retenue sur la fente et en tournant les filtres en place.



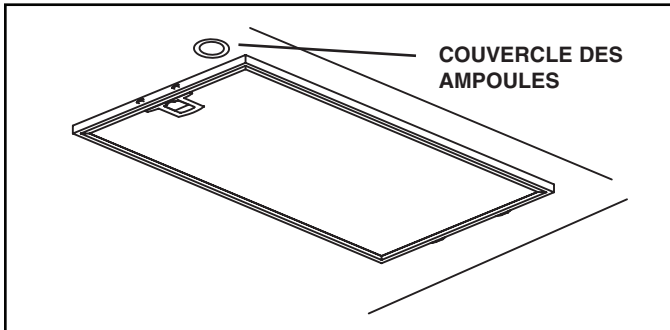
Pour remplacer les filtres de recirculation - veuillez acheter les filtres S97018030 ou FILTRES ROUNDS.

19. Pour remettre les filtres à graisse, alignez les ergots arrière des filtres dans les fentes de la hotte. Tirez la languette métallique vers le bas, poussez le filtre en place et relâchez la languette. Vérifiez si les filtres sont bien fixés une fois replacés.  
20. Prendre soin de ne pas égratigner le conduit décoratif supérieur, glissez le conduit décoratif supérieur vers le haut jusqu'à ce qu'il soit aligné avec sa bride de montage. La bride doit être à l'intérieur du conduit décoratif. Fixez le conduit supérieur à la bride supérieure avec deux (2) vis de n° 8 x 3/8 po.  
21. Enlevez la pellicule protectrice en plastique recouvrant la hotte.  
22. Installez la plaque de verre ou d'acier inoxydable sur le dessus de la base de la hotte avec (4) vis à tête plate (M4 x 1,0 po) et (4) rondelles décoratives. Vissez-la par le dessus de la base. Ne serrez pas trop ces vis.  
23. Retirez le film de protection en plastique recouvrant le conduit inférieur.





## AMPOULES



### ⚠ AVERTISSEMENT

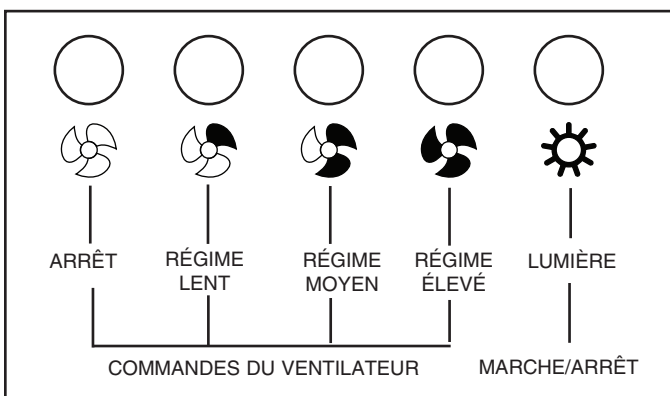
Les ampoules peuvent être très chaudes. Laissez toujours les ampoules refroidir avant de les enlever.

Cette hotte requiert deux ampoules halogènes (type JC, 12 volts, 20 watts max., base G4).

Pour remplacer les ampoules :

1. Enlevez le couvercle des ampoules en le poussant délicatement vers le haut et en le tournant dans le sens antihoraire.
2. Remplacez la ou les ampoules.
3. Replaces le couvercle en le poussant délicatement vers le haut et en le tournant dans le sens horaire.

## FONCTIONNEMENT



La hotte fonctionne à l'aide de quatre (4) boutons-poussoirs situés sur la face avant.

Allumez et éteignez la lumière à l'aide du bouton d'éclairage.

Actionnez le ventilateur à l'aide des boutons de régime lent, moyen ou élevé.

Appuyez sur le bouton OFF pour arrêter le ventilateur.

## ENTRETIEN

### Filtres à graisses

Les filtres à graisses doivent être nettoyés une fois par mois. Enlevez les filtres à graisse en tirant vers le bas sur la languette métallique de retenue. Le filtre se dégagera de la hotte. Inclinez le filtre vers le bas et enlevez-le.

Pour laver les filtres métalliques : Utilisez une solution tiède de détergent ou lavez-les au lave-vaisselle avec un détergent sans phosphate. Une décoloration du filtre peut se produire si des détergents phosphatés sont utilisés et selon les conditions locales de l'eau, sans toutefois affecter le rendement du filtre. Cette décoloration n'est pas couverte par la garantie.

### Filtres de recirculation pour installation sans conduits

Remplacez les filtres de recirculation tous les six mois. Tournez-les pour les dégager du ventilateur et les remplacer.

### Nettoyage de la hotte

Comment maintenir le lustre de l'acier inoxydable et éviter la corrosion.

#### À faire :

- Une fois par mois, nettoyez toutes les surfaces avec un chiffon propre imbibé d'eau tiède et de savon doux ou de liquide à vaisselle.
- Nettoyez toujours dans le sens des lignes du poli original.
- Rincez toujours à l'eau propre (2 ou 3 fois) après le nettoyage. Séchez complètement en essuyant.
- Vous pouvez également utiliser un nettoyant spécial pour acier inoxydable.

#### À ne pas faire :

- N'utilisez pas de laine d'acier ordinaire ni de laine d'acier inoxydable ou tout genre de grattoir pour déloger la saleté.
- N'utilisez pas de nettoyants puissants ou abrasifs.
- Ne laissez pas la saleté s'accumuler.
- Protégez la hotte de la poussière de plâtre ou de tout autre résidu de construction. Pendant des travaux de construction ou de rénovation, couvrez la hotte pour empêcher la poussière de toucher aux surfaces d'acier inoxydable.

#### À éviter lors du choix d'un détergent :

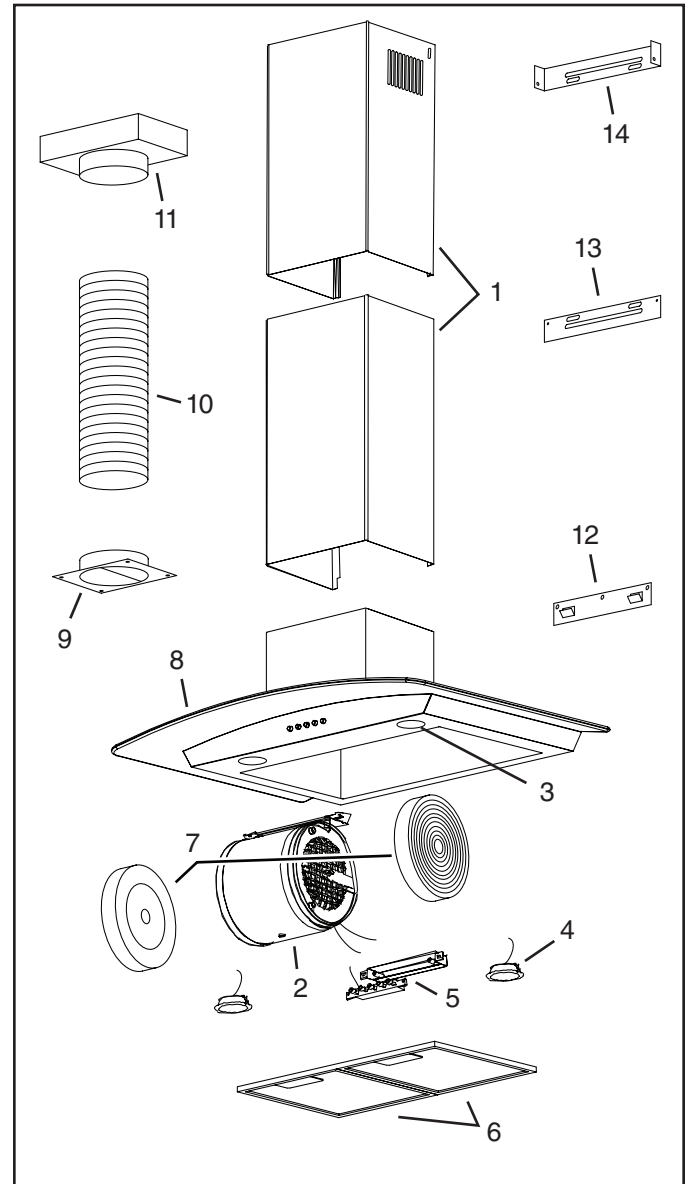
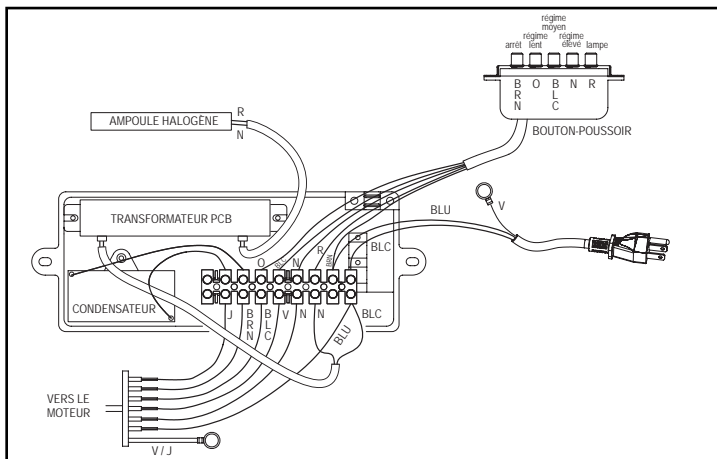
- Tout nettoyant contenant de l'eau de javel attaquera l'acier inoxydable.
- Tout produit contenant du chlore, du fluor, de l'iode ou du brome détériorera rapidement les surfaces.
- Tout produit combustible utilisé pour le nettoyage comme l'acétone, l'alcool, l'éther, le benzol, etc., est hautement explosif et ne doit jamais être utilisé à proximité d'une hotte.

## PIÈCES DE RECHANGE

| N° DE REPÈRE | N° DE PIÈCE | DESCRIPTION  | QTÉ |
|--------------|-------------|--|-----|
| 1            | S99526973   | Conduits décoratifs supérieur et inférieur                       | 1   |
| 2            | S99526974   | Ensemble moteur / ventilateur                                    | 1   |
| 3            | S99526975   | Ensemble de douille d'ampoule                                    | 2   |
| 4            | S99527010   | Ensemble d'anneau de finition / lentille d'éclairage             | 2   |
| 5            | S99526976   | Ensemble de boutons-poussoirs                                    | 1   |
| 6            | S97018029   | Filtres à graisses en aluminium (paire)                          | 2   |
| 7            | S97018030   | Filtres de recirculation pour installation sans conduits (paire) | 2   |
| 8            | S99526981   | Plaque courbée en verre (B5630SS)                                | 1   |
|              | S99527024   | Plaque courbée en verre (B5636SS)                                | 1   |
|              | S99526982   | Plaque courbée en métal avec rail (B5730SS)                      | 1   |
|              | S99527025   | Plaque courbée en métal avec rail (B5736SS)                      | 1   |
| 9            | S99526983   | Clapet / raccord de conduit                                      | 1   |
| 10           | S99526984   | Conduit d'aluminium flexible de 15,2 cm (6 po) extensible        | 1   |
| 11           | S99526985   | Ensemble de caisson non canalisé                                 | 1   |
| 12           | S99526987   | Bride de montage de hotte  | 1   |
| 13           | S99526989   | Bride de montage de conduit décoratif inférieur                  | 1   |
| 14           | S99526991   | Bride de montage de conduit décoratif supérieur                  | 1   |
|              | S99527011   | Transformateur (non illustré)                                    | 1   |
|              | S99527012   | Condensateur (non illustré)                                      | 1   |
|              | S99527013   | Couvercle en plastique (non illustré)                            | 1   |
|              | S99526994   | Sachet de pièces (non illustré)                                  | 1   |

Veuillez commander les pièces par n° de pièce et non par n° de repère.

## DIAGRAMME DE CÂBLAGE



Les pièces de rechange peuvent être commandées sur notre site : [www.broan.com](http://www.broan.com).

## GARANTIE

### GARANTIE LIMITÉE DE UN AN DE BROAN-NUTONE

Broan-NuTone garantit à l'acheteur consommateur original de ses produits qu'ils sont exempts de vice de matériaux ou de fabrication pour une période d'un an à compter de la date d'achat original. IL N'Y A PAS D'AUTRES GARANTIES, EXPRIMÉES OU IMPLICITES, INCLUANT MAIS NON LIMITÉES AUX GARANTIES IMPLICITES DE QUALITÉ MARCHANDE ET DE CONVENANCE DANS UN BUT PARTICULIER. Durant cette période d'un an, Broan-NuTone, à sa discrétion, réparera ou remplacera gratuitement tout produit ou pièce qui s'avèrera défectueux et ayant été utilisé normalement et d'une manière non abusive. CETTE GARANTIE NE S'APPLIQUE PAS AUX TUBES FLUORESCENTS ET AUX DÉMARREURS, NI AUX AMPOULES HALOGÈNES OU INCANDESCENTES, FUSIBLES, FILTRES, CONDUITS, CAPUCHONS DE TOIT, CAPUCHONS MURAUX ET AUTRES ACCESSOIRES POUR CONDUITS. Cette garantie ne couvre pas (a) l'entretien et le service normal ou (b) tout produit ou pièce endommagé à la suite d'un mauvais usage, d'une négligence, d'un accident, d'un entretien inadéquat ou d'une réparation (autre que par Broan-NuTone), d'une mauvaise installation ou d'une installation non conforme au mode d'installation recommandé.

La durée de toute garantie implicite est limitée à une période de un an tel que spécifié pour la garantie exprimée. Certains États ou provinces ne permettent pas de limitation de la durée d'une garantie implicite. Cette condition ne s'applique donc peut-être pas dans votre cas.

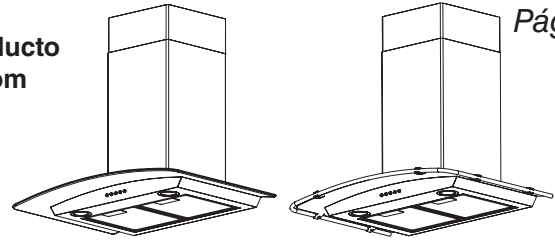
L'ENGAGEMENT DE BROAN-NUTONE À RÉPARER OU À REMPLACER, AU CHOIX DE BROAN-NUTONE, SERA LA SEULE OBLIGATION EXCLUSIVE SOUS CETTE GARANTIE. BROAN-NUTONE NE SE TIENDRA PAS RESPONSABLE DES DOMMAGES DIRECTS, INDIRECTS OU SPÉCIAUX AYANT UN LIEN DIRECT OU INDIRECT AVEC L'UTILISATION OU LA PERFORMANCE DE SES PRODUITS. Certains États ou provinces ne permettent pas l'exclusion ou la limitation de dommages directs ou indirects. Cette condition ne s'applique donc peut-être pas dans votre cas.

Cette garantie vous donne des droits spécifiques et il se peut que vous ayez d'autres droits qui varient d'une province à l'autre ou d'un État à l'autre. Cette garantie annule toutes les garanties précédentes. Pour le service sous garantie, vous devez (a) aviser Broan-NuTone à l'adresse ou numéro de téléphone mentionnée ci-dessous, (b) donner le numéro de modèle et l'identification de la pièce et (c) décrire la nature de tout défaut dans le produit ou la pièce. Au moment de la demande de service sous garantie, vous devez présenter une preuve de la date d'achat original du produit en question.

Broan-NuTone LLC, 926 W. State Street, Hartford, Wisconsin 53027 [www.broan.com](http://www.broan.com) 800-558-1711  
Broan-NuTone Canada, Inc., 1140 Tristar Drive, Mississauga, Ontario L5T 1H9 [www.broan.ca](http://www.broan.ca) 877-896-1119

## CAMPANA DE ESTUFA DE CHIMENEA

Para registrar este producto  
visite: [www.broan.com](http://www.broan.com)



Página 19

### LEA Y CONSERVE ESTAS INSTRUCCIONES

**⚠ INDICADA SOLAMENTE PARA COCINAR EN CASA. ⚠**

#### **⚠ ADVERTENCIA**

**PARA REDUCIR EL RIESGO DE INCENDIOS, DESCARGAS ELÉCTRICAS O LESIONES PERSONALES, OBSERVE LAS SIGUIENTES PRECAUCIONES:**

1. Use la unidad sólo de la manera indicada por el fabricante. Si tiene preguntas, comuníquese con el fabricante a la dirección o al número telefónico que se incluye en la garantía.
2. Antes de dar servicio o limpiar la unidad, interrumpa el suministro eléctrico en el panel de servicio y bloquee los medios de desconexión del servicio para evitar que la electricidad sea reanudada accidentalmente. Cuando no sea posible bloquear los medios de desconexión del servicio, fije firmemente una señal de advertencia (como una etiqueta) en un lugar visible del panel de servicio.
3. Sólo personal calificado debe realizar el trabajo de instalación y el cableado eléctrico, de acuerdo con todos los códigos y normas correspondientes, incluidos los códigos y normas de construcción específicos sobre protección contra incendios.
4. Se necesita suficiente aire para que se lleve a cabo una combustión adecuada y la extracción de los gases a través del tubo de humos (chimenea) del equipo quemador de combustible, con el fin de evitar las contracorrientes. Siga las directrices y las normas de seguridad del fabricante del equipo de calefacción, como las publicadas por la Asociación Nacional de Protección contra Incendios (National Fire Protection Association, NFPA), la Sociedad Americana de Ingenieros en Calefacción, Refrigeración y Aire Acondicionado (American Society for Heating, Refrigeration and Air Conditioning Engineers, ASHRAE), y las autoridades de los códigos locales.
5. Al cortar o perforar a través de la pared o del techo, tenga cuidado de no dañar el cableado eléctrico ni otros servicios ocultos.
6. Los ventiladores en conductos siempre deben ventearse hacia el exterior.
7. No use esta unidad junto con ningún otro dispositivo de control de velocidad de estado sólido.
8. Para reducir el riesgo de incendio, use solamente conductos de acero.
9. Esta unidad debe conectarse a tierra.

**PARA REDUCIR EL RIESGO DE INCENDIO PROVOCADO POR GRASA PRESENTE EN LA ESTUFA:**

- a) Nunca deje desatendidas las unidades de la superficie cuando estén en ajustes altos de calor. Los alimentos en ebullición provocan derrames grasosos y con humo que se pueden incendiar. Caliente el aceite lentamente en ajustes de calor bajo o medio.
- b) Siempre ENCIENDA la campana cuando esté cocinando a altas temperaturas o flameando alimentos (por ejemplo crepas Suzette, cerezas Jubilee, bistec con pimienta flameado).
- c) Limpie frecuentemente los ventiladores. No permita la acumulación de grasa en el ventilador ni en los filtros.
- d) Use una cacerola del tamaño adecuado. Siempre use utensilios de cocina que sean apropiados para el tamaño del elemento de la superficie.

#### **⚠ ADVERTENCIA**

**PARA REDUCIR EL RIESGO DE LESIONES PERSONALES EN EL CASO DE QUE LA GRASA DE LA ESTUFA SE INCENDIE, OBSERVE LAS SIGUIENTES PRECAUCIONES\*:**

1. APAGUE LAS LLAMAS con una tapa de ajuste exacto, una charola para galletas o una bandeja de metal, y después apague el quemador. PROCEDA CON CUIDADO PARA EVITAR QUEMADURAS. SI LAS LLAMAS NO SE APAGAN INMEDIATAMENTE, EVACÚE EL ÁREA Y LLAME AL DEPARTAMENTO DE BOMBEROS.
2. NUNCA LEVANTE UNA CACEROLA INCENDIADA, se puede quemar.
3. NO USE AGUA ni toallas húmedas, ya que provocará una violenta explosión de vapor.
4. Use un extintor SÓLO si:
  - A. El extintor es clase ABC y usted sabe cómo usarlo.
  - B. El incendio es pequeño y está confinado al área en la que se inició.
  - C. Se ha llamado al departamento de bomberos.
  - D. Puede combatir el incendio teniendo la espalda orientada hacia una salida.

\*Basado en "Kitchen Fire Safety Tips" (Sugerencias para la seguridad contra incendios en la cocina) publicado por NFPA.

#### **PRECAUCIÓN**

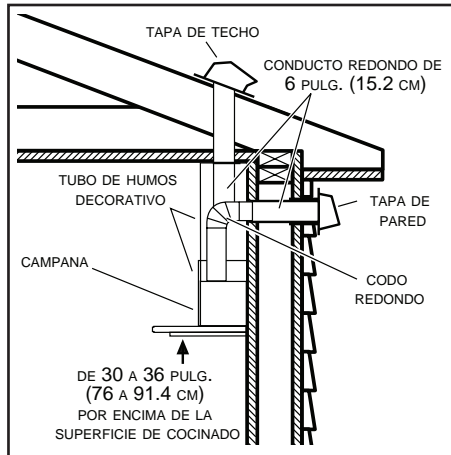
1. Para uso en interiores solamente.
2. Sólo para usarse como medio de ventilación general. No debe usarse para la extracción de materiales ni vapores peligrosos o explosivos.
3. Para evitar daños a los cojinetes del motor y rotores ruidosos o desbalanceados, mantenga la unidad de potencia protegida contra rociados de yeso, polvos de construcción, etc.
4. No use equipo para cocinar mayor de 60,000 BTU/hr, pues el motor ventilador se apagará de manera intermitente.
5. Este motor de campana tiene una protección contra sobrecargas térmicas que automáticamente apagará el motor en caso de sobrecalentamiento. El motor reanudará su funcionamiento cuando se enfríe. Si el motor continúa apagándose y encendiéndose, solicite servicio para la campana.
6. La parte inferior de la campana NO DEBE ESTAR A MENOS de 30 pulg. (76 cm) y a un máximo de 36 pulg. (91.4 cm) por arriba de la estufa, para captar mejor las impurezas que surgen al cocinar.
7. Se recomienda que dos personas hagan la instalación debido al gran tamaño de esta campana.
8. Para reducir el riesgo de incendio y para descargar adecuadamente el aire, asegúrese de dirigir el aire hacia el exterior. No descargue el aire en espacios contenidos entre paredes o cielos rasos, ni en áticos, sótanos bajos ni en la cochera.
9. Tenga cuidado al instalar el tubo de humos decorativo y la campana; pueden tener bordes afilados.
10. Lea la etiqueta de especificaciones que tiene el producto para ver información y requisitos adicionales.

INSTALADOR: DEJE ESTA GUÍA CON EL PROPIETARIO DE LA VIVIENDA.

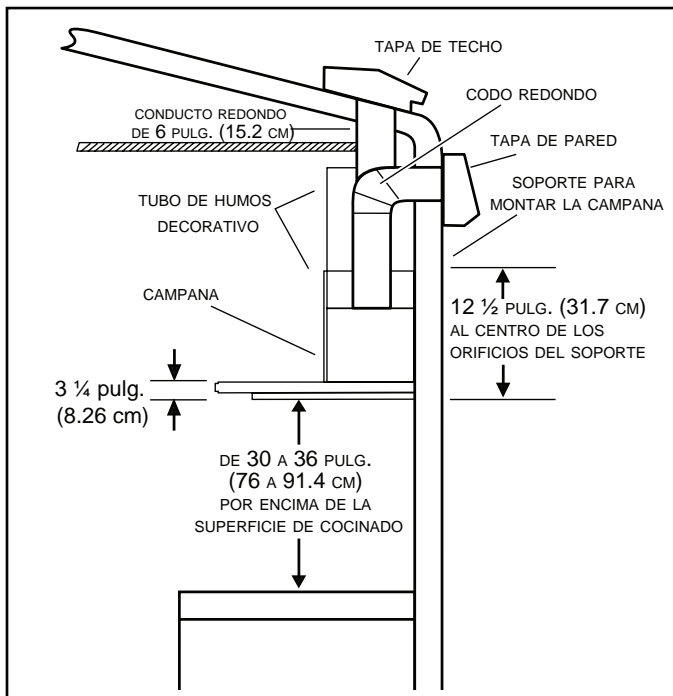
PROPIETARIO DE LA VIVIENDA: EN LA PÁGINA 26 ENCONTRARÁ INFORMACIÓN DE OPERACIÓN Y MANTENIMIENTO.

## INSTALE LOS CONDUCTOS (sólo en campanas con conductos)

1. Decida dónde instalará el conducto entre la campana y el exterior.
2. Un conducto recto y corto permitirá que la campana funcione más eficientemente.
3. Los tramos largos de conductos, codos y transiciones reducirán el rendimiento de la campana. Use tan pocos de ellos como sea posible. Es posible que se requieran conductos más grandes para un mejor funcionamiento con tramos más largos de conductos.
4. Instale la tapa pared o techo. Conecte un conducto metálico redondo en la tapa y trabaje hacia atrás, hacia la ubicación de la campana. Use cinta para conductos para sellar las uniones entre las secciones de conductos.



## MIDA LA INSTALACIÓN



La distancia mínima de la campana sobre la superficie de la estufa NO DEBE SER MENOR de 30 pulg. (76 cm).

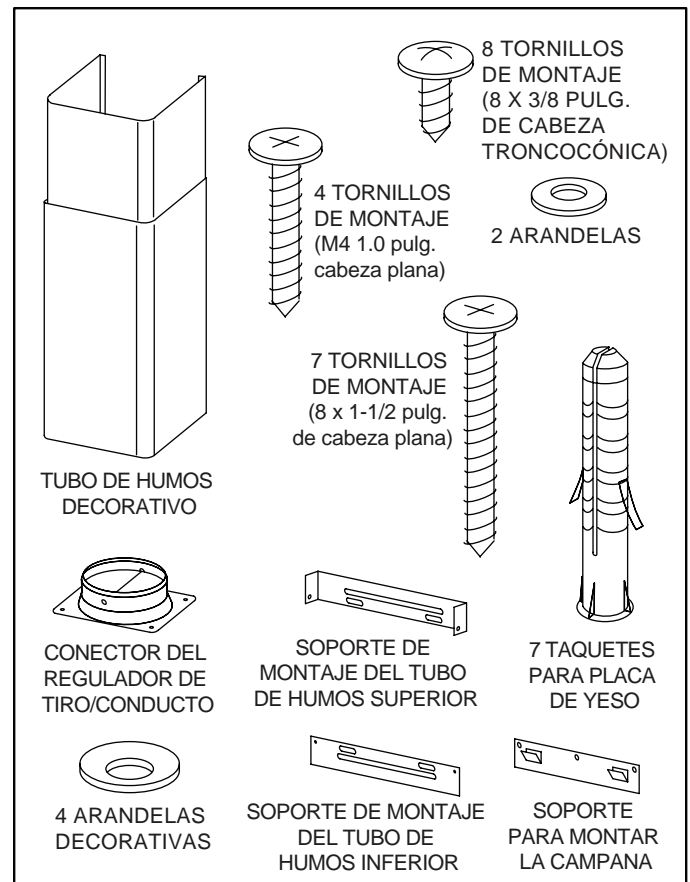
Se recomienda enfáticamente una distancia máxima de 36 pulg. (91.4 cm) sobre la superficie de la estufa para la mejor captura de las impurezas resultantes del cocinado.

Utilizar distancias superiores a las 36 pulg. (91.4 cm) quedan a discreción del usuario y del instalador, siempre y cuando lo permita la altura hasta el cielo raso.

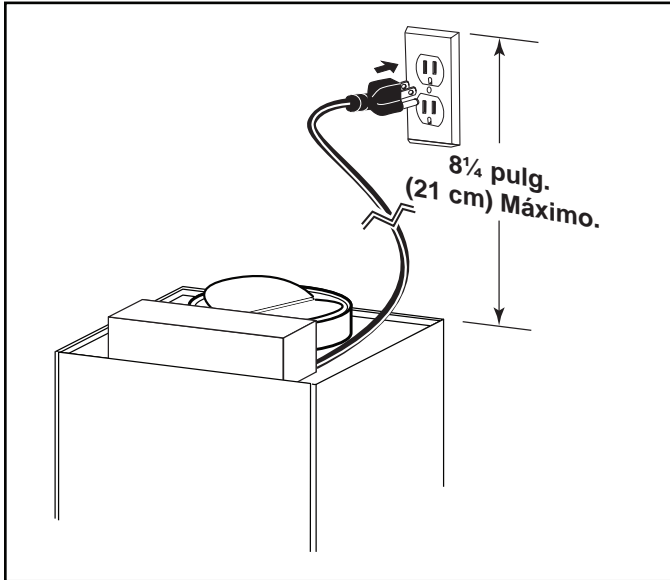
## PREPARE LA CAMPANA

Desempaque la campana y revise el contenido del paquete. Debe contener lo siguiente:

- 1 - campana
- 1 - cubierta de vidrio (Modelos B5630SS y B5636SS)
- 1 - cubierta de metal (Modelos B5730SS y B5736SS)
- 1 - conjunto del tubo de humos decorativo
- 1 - conector del regulador de tiro/conducto
- 1 - soporte de montaje del tubo de humos inferior
- 1 - soporte de montaje del tubo de humos superior
- 1 - soporte de montaje de la campana
- 2 - filtros de aluminio para grasa (instalados en la campana)
- 1 - bolsa de piezas con:
  - 8 - tornillos de montaje (8 x 3/8 pulg. de cabeza troncocónica)
  - 7 - tornillos de montaje (8 x 1-1/2 pulg. de cabeza plana)
  - 4 - tornillos de montaje (M4 x 1.0 pulg. de cabeza plana)
  - 7 - taquetes para placa de yeso
  - 2 - arandelas
  - 4 - arandelas decorativas
- 1 - manual de instalación



## INSTALE EL CABLEADO

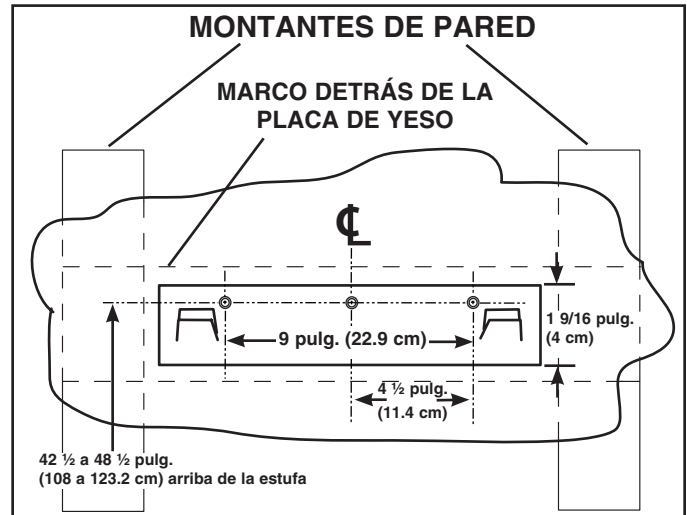


### 1. INSTRUCCIONES PARA LA PUESTA A TIERRA

Este aparato debe estar conectado a tierra. En caso de un corto circuito eléctrico, la puesta a tierra reduce el riesgo de una descarga eléctrica al suministrar un cable de escape para la corriente eléctrica. Este aparato está equipado con un cordón que tiene un cable con una clavija a tierra. La clavija debe conectarse a una toma eléctrica que esté instalada y conectada a tierra adecuadamente.

2. Coloque el tomacorriente eléctrico dentro del espacio cubierto por el tubo de humos decorativo y donde no interfiera con el conducto redondo. Asegúrese de que el tomacorriente no esté a más de 8 1/4 pulg. (21 cm) de donde sale el cordón de la campana y que el tomacorriente no interfiera con un área de sujeción de soportes o donde el tubo de humos toque la pared.

## INSTALE EL SOPORTE DE MONTAJE DE LA CAMPANA



42 1/2 (108 cm) = parte interior de la campana, 30 pulg. (76 cm) arriba de la estufa

48 1/2 (123.2 cm) = parte interior de la campana, 36 pulg. (91.4 cm) arriba de la estufa

1. Construya un bastidor de madera en la pared que quede al ras de la superficie interior de los montantes de la pared. Asegúrese de que:
  - a) el bastidor esté centrado en el lugar de la instalación.
  - b) la altura del bastidor permita fijar el soporte de montaje en el bastidor dentro de las dimensiones mostradas.
2. Después de terminar con la superficie de la pared, centre con cuidado y nivele el soporte de montaje de la campana, y asegúrelo al bastidor de la pared con tres (3) tornillos de montaje de 8 x 1 1/2 pulg. Apriete totalmente los tornillos.

### NOTA:

#### En los cielos rasos de 8 pies (2.4 m)

La distancia de la campana arriba de la estufa es:

Mínima de 30 pulg. (76 cm), máxima de 36 pulg. (91.4 cm) (para la descarga de los conductos)

Mínima de 30 pulg. (76 cm), máxima de 33 pulg. (83.8 cm) (para la descarga para sistemas sin conductos)

#### En los cielos rasos de 9 pies (2.7 m)

La distancia de la campana arriba de la estufa es:

Mínima de 31 pulg. (78.7 cm), máxima de 36 pulg. (91.4 cm) (para la descarga para sistemas sin conductos y con conductos)

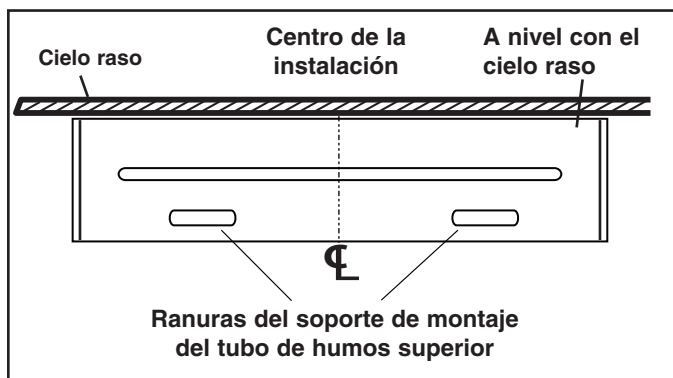
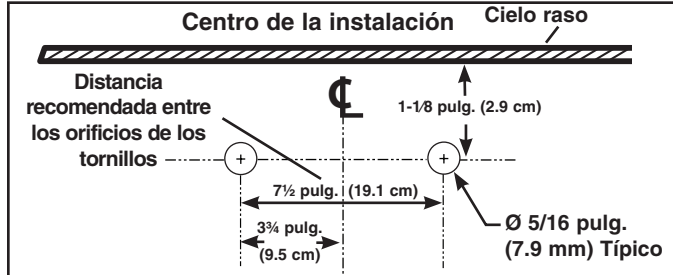
#### En los cielos rasos de 10 pies (3 m)

La distancia de la campana arriba de la estufa es:

Mínima de 31 pulg. (78.7 cm), máxima de 36 pulg. (91.4 cm) (para la descarga para sistemas sin conductos y con conductos)

**NOTA:** Los cielos rasos de 10 pies (3 m) requieren una extensión del tubo de humos de 10 pies (3 m), modelo FXN56SS para instalaciones con conductos o sin conductos (se compra por separado).

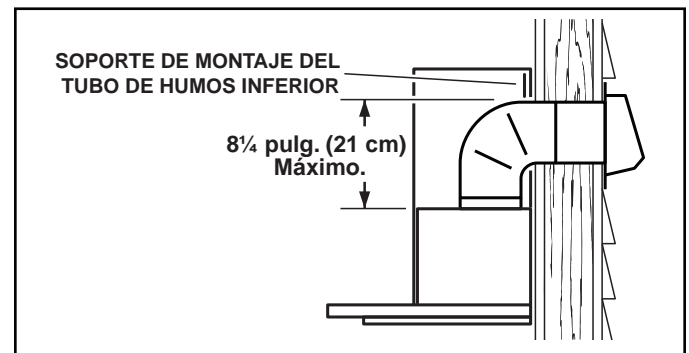
## INSTALE EL SOPORTE DE MONTAJE DEL TUBO DE HUMOS SUPERIOR



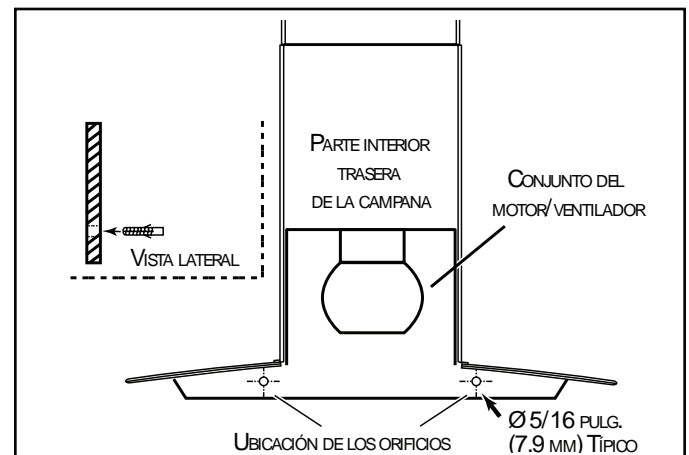
1. Perfore dos orificios de 5/16 pulg. (7.9 mm) de diámetro donde se muestra. Inserte los taquetes para placa de yeso en los orificios.
2. Centre el soporte sobre la ubicación de la campana y a nivel con el cielo raso. Asegúrese de que las ranuras del soporte del tubo de humos superior estén en la parte inferior. Fije el soporte del tubo de humos superior a la pared utilizando dos (2) tornillos de montaje de 8 x 1 1/2 pulg.
3. Apriete totalmente los tornillos. Asegúrese de que el soporte esté apretado contra la pared.

## INSTALE LA CAMPANA (sólo para campanas con conductos horizontales)

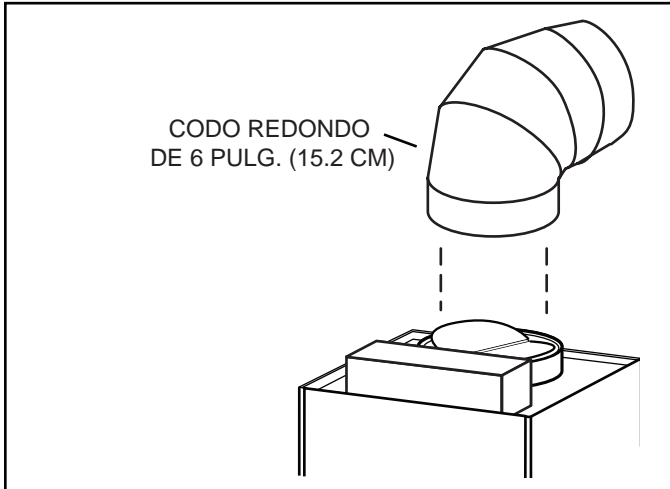
1. En este momento NO quite la película de plástico protector que cubre el tubo de humos decorativo y la campana.
2. Deje la parte posterior de la campana plana sobre una mesa. Utilice un pedazo de cartón para evitar dañar la mesa o la campana.
3. Fije el conector del regulador/conducto en la parte superior de la campana utilizando cuatro (4) tornillos de montaje de 8 x 3/8 pulg. de cabeza troncocónica.
4. Retire los filtros de grasa estirando hacia abajo la cejilla metálica e inclinando los filtros hacia abajo para quitarlos.
5. Gire con cuidado la campana hacia arriba.



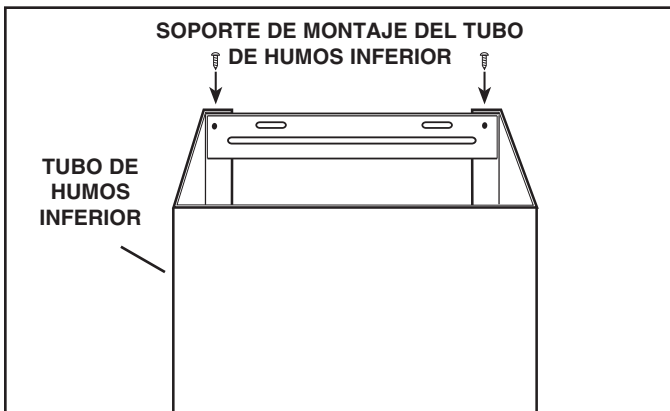
6. Asegúrese de que habrá una separación adecuada entre la parte superior de la campana y el soporte de montaje para los conductos del tubo de humos inferior. El codo debe colocarse debajo del soporte de montaje del tubo de humos inferior.
7. Alinee la campana y céntrala arriba del soporte de montaje de la campana. Lentamente baje la campana hasta que se fije con seguridad en el soporte.



8. Con la campana colgada en su lugar, perfore los dos orificios situados en la parte interior trasera de la campana, con una broca de 5/16 pulg. (7.9 mm). Inserte los taquetes para placa de yeso incluidos en los orificios perforados (uno para cada orificio). Instale dos (2) arandelas y dos (2) tornillos de montaje de 8 x 1 1/2 pulg. a través de la parte trasera de la campana y en los taquetes para placa de yeso. Verifique que la campana esté centrada y nivelada. Apriete totalmente todos los tornillos.
9. Reinstale los filtros para grasa alineando las lengüetas posteriores del filtro con las ranuras de la campana. Estire hacia abajo la lengüeta metálica del cierre, presione el filtro en su posición y libere. Asegúrese de que los filtros estén seguramente enganchados después de su instalación.

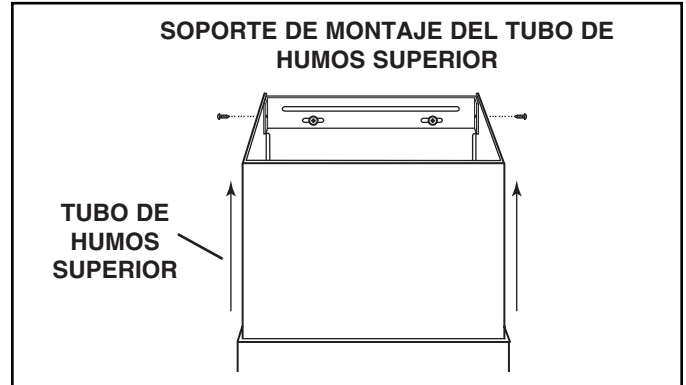


10. Mida e instale los conductos redondos de acero de 6 pulg. (15.2 cm) a la tapa para techo o a la tapa para pared, y el codo de 90° sobre el collarín del tubo en la campana. Use cinta para conductos para fijar y sellar todas las uniones.
11. Conecte el cable eléctrico de la campana en el tomacorriente.



**NOTA:** Los cielos rasos de 10 pies (3 m) requieren una extensión del tubo de humos de 10 pies (3 m), modelo FXN56SS para instalaciones con conductos o sin conductos (se compra por separado). Deseche el tubo de humos superior incluido con la campana y reemplácelo con la extensión del tubo modelo FXN56SS.

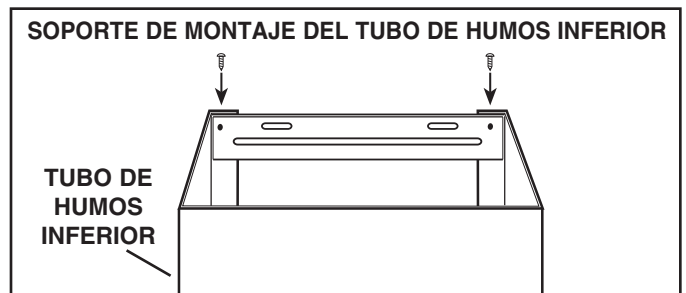
12. Retire el tubo de humos superior del interior del tubo de humos inferior. Instale el soporte del tubo de humos inferior al tubo de humos inferior usando dos (2) tornillos de soporte del tubo de humos de 8 x 3/8 pulg. Asegúrese de que las ranuras se encuentren en la parte superior. Retire la cubierta de la película de plástico protector que cubre solamente el tubo de humos superior. Reemplace con cuidado el tubo de humos superior al interior del tubo de humos inferior.
13. Coloque con cuidado ambos tubos de humos de la caja del ventilador en la parte superior de la campana.



14. Deslice el tubo de humos superior hacia arriba, hasta que quede alineado con su soporte de montaje superior. El soporte debe quedar dentro del tubo de humos. Asegure el tubo superior con el soporte de montaje correspondiente, utilizando dos (2) tornillos de montaje de 8 x 3/8 pulg.
15. Quite la película de plástico protector que la campana.
16. Monte la placa de vidrio o la placa de acero inoxidable sobre la parte superior de la base de la campana con cuatro (4) tornillos de cabeza plana (M4 x 1.0 pulg.) y cuatro (4) arandelas decorativas. Atornille desde la parte superior de la base de la campana. No apriete en exceso estos tornillos.
17. Retire la película protectora de plástico que cubre el tubo inferior.

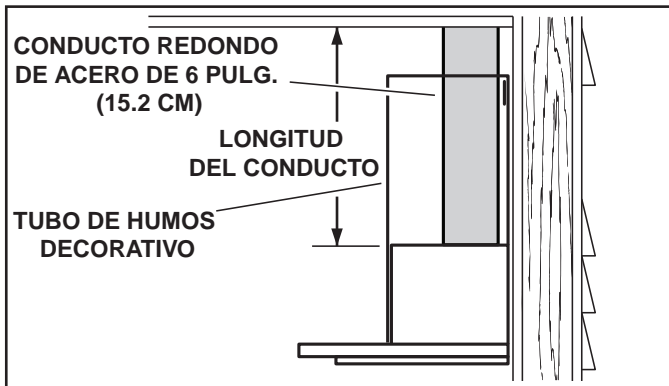
## INSTALE LA CAMPANA (sólo para campanas con conductos verticales)

1. En este momento **NO QUITE** la película de plástico protector que cubre el tubo de humos decorativo y la campana.
2. Deje la parte posterior de la campana plana sobre una mesa. Utilice un pedazo de cartón para evitar dañar la mesa o la campana.
3. Fije el conector del regulador/conducto en la parte superior de la campana utilizando cuatro (4) tornillos de montaje de 8 x 3/8 pulg. de cabeza troncocónica.
4. Retire los filtros de grasa estirando hacia abajo la cejilla metálica e inclinando los filtros hacia abajo para quitarlos.
5. Gire con cuidado la campana hacia arriba.

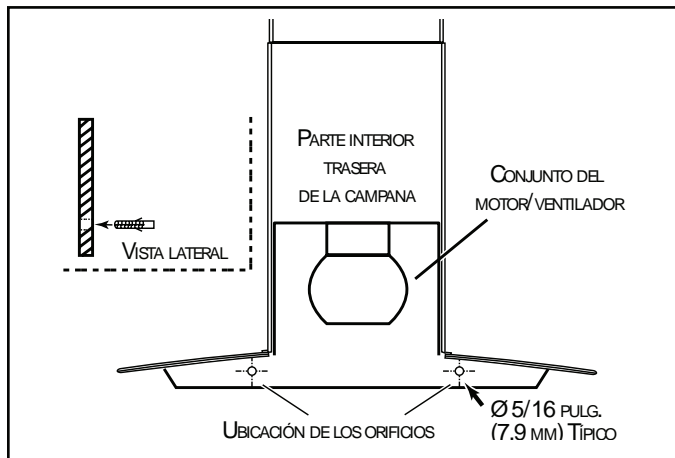


**NOTA:** Los cielos rasos de 10 pies (3 m) requieren una extensión del tubo de humos de 10 pies (3 m), modelo FXN56SS (se compra por separado). Deseche el tubo de humos superior incluido con la campana y reemplácelo con la extensión del tubo modelo FXN56SS.

6. Retire el tubo de humos superior del interior del tubo de humos inferior. Instale el soporte del tubo inferior al tubo inferior usando dos (2) tornillos de soporte del tubo de humos 8 x 3/8 pulg. asegurándose de que las ranuras estén en la parte superior. Retire la cubierta de la película de plástico protector que cubre solamente el tubo de humos inferior. Reemplace con cuidado el tubo de humos superior al interior del tubo de humos superior.
7. Coloque con cuidado ambos tubos de humos de la caja del ventilador en la parte superior de la campana.



8. Mida e instale los conductos de acero al conector de conductos de la campana. Use cinta para conductos para fijar y sellar todas las uniones.
9. Sostenga la campana cerca de la ubicación de montaje en la pared y conecte el cordón eléctrico en el tomacorriente.
10. Alinee la campana y céntrela arriba del soporte de montaje de la campana. Asegúrese de que los conductos en la campana se alineen y se fijen a los conductos en el cielo raso. Lentamente baje la campana hasta que se fije con seguridad en el soporte.
11. Use cinta para conductos para fijar y sellar todas las uniones.



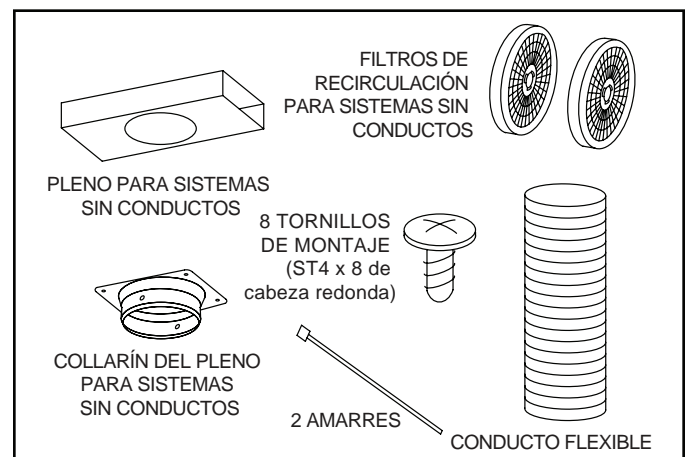
12. Con la campana colgada en su lugar, perforo los dos orificios situados en la parte interior trasera de la campana, con una broca de 5/16 pulg. (7.9 mm). Inserte los taquetes para placa de yeso incluidos en los orificios perforados (uno para cada orificio). Instale dos (2) arandelas y dos (2) tornillos de montaje de 8 x 1 1/2 pulg. a través de la parte trasera de la campana y en los taquetes para placa de yeso. Verifique que la campana esté centrada y nivelada. Apriete totalmente todos los tornillos.
13. Reinstale los filtros para grasa alineando las lengüetas posteriores del filtro con las ranuras de la campana. Estire hacia abajo la lengüeta metálica del cierre, presione el filtro en su posición y libere. Asegúrese de que los filtros estén firmemente enganchados después de su instalación.



14. Tenga cuidado de no rayar el tubo de humos superior, deslice el tubo de humos superior hacia arriba, hasta que quede alineado con su soporte de montaje. El soporte debe quedar dentro del tubo de humos. Asegure el tubo superior con el soporte de montaje correspondiente, utilizando dos (2) tornillos de montaje de 8 x 3/8 pulg.
15. Quite la película de plástico protector que la campana.
16. Monte la placa de vidrio o la placa de acero inoxidable sobre la parte superior de la base de la campana con cuatro (4) tornillos de cabeza plana (M4 x 1.0 pulg.) y cuatro (4) arandelas decorativas. Atornille desde la parte superior de la base de la campana. No apriete en exceso estos tornillos.
17. Retire la película protectora de plástico que cubre el tubo inferior.

## INSTALE LA CAMPANA (sólo para campanas para sistemas sin conductos)

### CONTENIDO DEL KIT PARA SISTEMAS SIN CONDUCTOS MODELO RK56

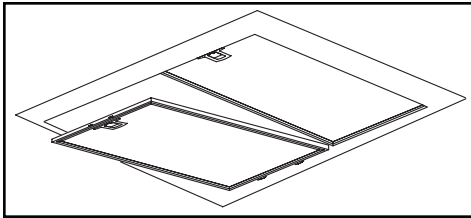


**NOTA:** Las instalaciones sin conductos requieren el kit para sistemas sin conductos, modelo RK56 (se compra por separado).

1. PRECAUCIÓN: No use un conducto de plástico ni de metal rígido.
2. En este momento no quite la película de plástico protector que cubre el tubo de humos decorativo y la campana.
3. Deje la parte posterior de la campana plana sobre una mesa. Utilice un pedazo de cartón para evitar dañar la mesa o la campana.
4. Fije el conector del regulador/conducto en la parte superior de la campana utilizando cuatro (4) tornillos de montaje de 8 x 3/8 pulg. de cabeza troncocónica.
5. Quite las aletas del regulador del conector para conector/conducto y deseche las aletas.

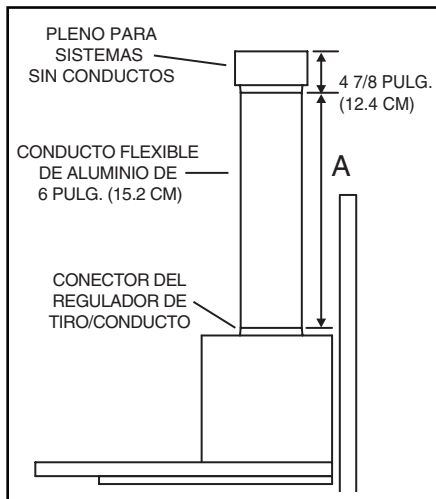


6. Retire los filtros de grasa estirando hacia abajo la cejilla metálica e inclinando los filtros hacia abajo para quitarlos.



7. Gire cuidadosamente la campana en posición vertical.  
 8. Fije el collarín para sistemas sin conductos al pleno para sistemas con conductos usando cuatro (4) tornillos de cabeza redonda ST4 x 8.  
 9. Mida la distancia "A". Será la longitud del conducto flexible extendido.

10. Fije el conducto flexible de aluminio al conector del regulador/conducto con un amarre.  
 11. Fije el conducto flexible al collarín del pleno para sistemas sin conductos y fíjelo con un amarre. Coloque cinta para conductos en todas las uniones.

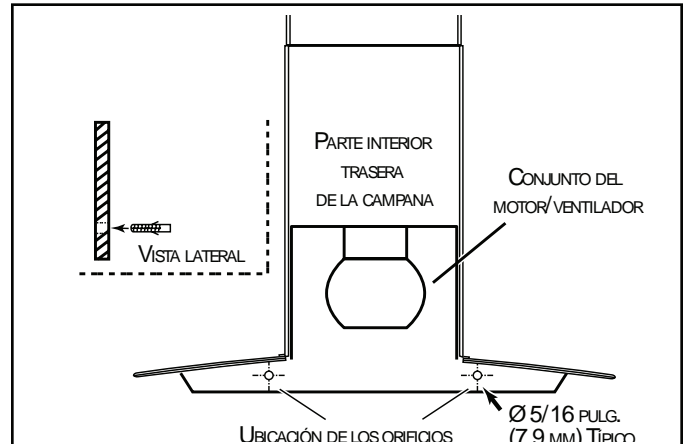


**NOTA: Los cielos rasos de 10 pies (3 m) requieren una extensión del tubo de humos de 10 pies (3 m), modelo FXN56SS para instalaciones con conductos o sin conductos (se compra por separado). Deseche el tubo de humos superior incluido con la campana y reemplácelo con la extensión del tubo modelo FXN56SS.**



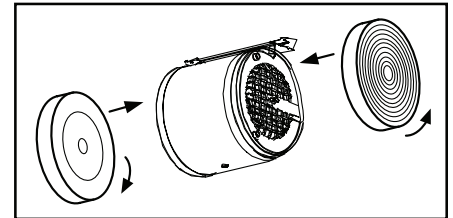
12. Retire el tubo de humos superior del interior del tubo de humos inferior. Instale el soporte del tubo inferior al tubo inferior usando dos (2) tornillos de soporte del tubo de humos de 8 x 3/8 pulg. asegurándose de que las ranuras estén en la parte superior. Retire la cubierta de la película de plástico protector que cubre solamente el tubo de humos superior. Reemplace con cuidado el tubo de humos superior al interior del tubo de humos inferior.  
 13. Coloque con cuidado ambos tubos de humos de la caja del ventilador en la parte superior de la campana.  
 14. Fije el pleno con collarín para sistemas sin conductos al pleno superior usando cuatro (4) tornillos de cabeza redonda ST4 x 8.

15. Sostenga la campana cerca de la ubicación de montaje en la pared y conecte el cordón eléctrico en el tomacorriente.  
 16. Alinee la campana y céntrala arriba del soporte de montaje de la campana. Lentamente baje la campana hasta que se fije con seguridad en el soporte.



17. Con la campana colgada en su lugar, perforo los dos orificios situados en la parte interior trasera de la campana, con una broca de 5/16 pulg. (0.8 cm). Inserte los taquetes para placa de yeso incluidos en los orificios perforados (uno para cada orificio). Instale dos (2) arandelas y dos (2) tornillos de montaje de 8 x 1/2 pulg. a través de la parte trasera de la campana y en los taquetes para placa de yeso. Verifique que la campana esté centrada y nivelada. Apriete totalmente todos los tornillos.

18. Fije dos (2) filtros de recirculación para sistemas sin conductos a los lados del ventilador alineando la ranura de bloqueo con llave y girando hasta que los filtros se fijen en su lugar.



Para reemplazar los filtros de circulación para sistemas sin conductos, compre el S98018030 o el FILTRO REDONDO.

19. Reinstale los filtros para grasa alineando las lengüetas posteriores del filtro con las ranuras de la campana. Estire hacia abajo la lengüeta metálica del cierre, presione el filtro en su posición y libere. Asegúrese de que los filtros estén seguramente enganchados después de su instalación.

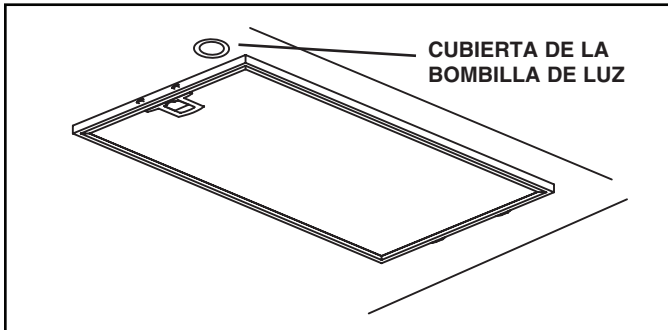
20. Tenga cuidado de no rayar el tubo de humos superior, deslice el tubo de humos superior hacia arriba, hasta que quede alineado con su soporte de montaje. El soporte debe quedar dentro del tubo de humos. Asegure el tubo superior con el soporte de montaje correspondiente, utilizando dos (2) tornillos de montaje de 8 x 3/8 pulg.



21. Quite la película de plástico protector que cubre el tubo de humos y la campana.  
 22. Monte la placa de vidrio o la placa de acero inoxidable sobre la parte superior de la base de la campana con cuatro (4) tornillos de cabeza plana (M4 x 1.0 pulg.) y cuatro (4) arandelas decorativas. Atornille desde la parte superior de la base de la campana. No apriete en exceso estos tornillos.

23. Retire la película protectora de plástico que cubre el tubo inferior.

## BOMBILLAS



### ⚠ ADVERTENCIA

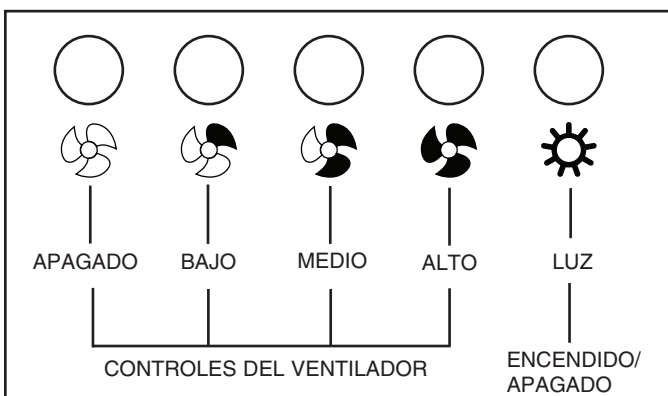
Las bombillas podrían estar calientes. Siempre permita que se enfríen las bombillas antes de cambiarlas.

Esta campana de estufa requiere dos bombillas de halógeno (tipo JC, 12 V, 20 W máximo y base G-4).

Para cambiar las bombillas:

1. Retire la cubierta de la bombilla de luz empujándola suavemente hacia arriba y girándola en sentido contrahorario.
2. Reemplace la bombilla.
3. Reinstale la cubierta de la bombilla de luz empujándola suavemente hacia arriba y girándola en sentido horario.

## FUNCIONAMIENTO



La campana se hace funcionar con los botones en el panel frontal.

Presione el botón de la luz para encender y apagar las luces.

Presione los controles del ventilador para seleccionar la velocidad baja, media o alta del ventilador.

Presione el botón de APAGADO para apagar el ventilador.

## MANTENIMIENTO

### Filtros de grasa

Los filtros de grasa deben limpiarse una vez al mes. Retire los filtros de grasa estirando hacia abajo la cejilla metálica. Esto desprenderá el filtro de la campana. Incline el filtro hacia abajo y quítelo.

Para limpiar los filtros totalmente metálicos: Utilice una solución detergente tibia o colóquelos en la máquina lavaplatos, usando un detergente sin fosfatos. El filtro se puede decolorar si se utilizan detergentes con fosfatos o como resultado de la condición del agua local, pero esto no afectará el rendimiento del filtro. Esta decoloración no está cubierta por la garantía.

### Filtro de recirculación para sistemas sin conductos

Cambie los filtros de recirculación cada 6 meses. Gire los filtros para quitarlos del ventilador y reemplácelos.

### Limpieza de la campana

Cómo mantener el aspecto brillante del acero inoxidable y ayudar a prevenir la corrosión.

#### Qué hacer:

- Una vez al mes, lave las superficies con una tela o trapo limpio remojado con agua tibia y jabón o detergente líquido para platos.
- Siempre limpie en la dirección de las líneas originales de pulido.
- Siempre enjuague bien con agua limpia (2 ó 3 veces) después de la limpieza. Deje totalmente seco.
- También puede usar un limpiador casero especializado para acero inoxidable.

#### Qué no hacer:

- No use lana de acero o acero inoxidable ni ningún tipo de raspador para quitar mugre difícil de sacar.
- No la limpie con limpiadores abrasivos o fuertes.
- No permita que se acumule la mugre.
- No deje que el polvo forme plastas ni que quede en la campana algún otro residuo de la construcción. Durante la construcción o la renovación, cubra la campana para estar seguro de que el polvo no se pegue a la superficie de acero inoxidable.

#### Evite al elegir un detergente:

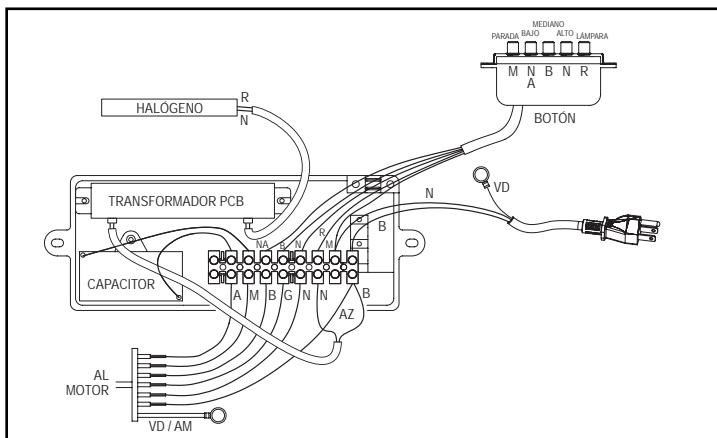
- Todo limpiador que contenga **blanqueador**, pues atacará al acero inoxidable.
- Todo producto que contenga: **cloruro, fluoruro, yoduro, bromuro**, pues deteriorará las superficies rápidamente.
- Todo **producto combustible** utilizado para la limpieza, como **acetona, alcohol, éter, bencol**, etc., pues son altamente explosivos y nunca se deben usar cerca de una estufa.

## PIEZAS DE REPUESTO

| CLAVE | PIEZA N.º | DESCRIPCIÓN  | CANT. |
|-------|-----------|--|-------|
| 1     | S99526973 | Tubos de humos decorativos superior e inferior             | 1     |
| 2     | S99526974 | Conjunto de motor/ventilador                               | 1     |
| 3     | S99526975 | Conjunto de la base para la luz                            | 2     |
| 4     | S99527010 | Conjunto del anillo de moldura para la luz/lente           | 2     |
| 5     | S99526976 | Conjunto de botones  | 1     |
| 6     | S97018029 | Filtros de aluminio para grasa (par)                       | 2     |
| 7     | S97018030 | Filtros de recirculación para sistemas sin conductos (par) | 2     |
| 8     | S99526981 | Placa de vidrio curvo (B5630SS)                            | 1     |
|       | S99527024 | Placa de vidrio curvo (B5636SS)                            | 1     |
|       | S99526982 | Placa de metal curvo con riel (B5730SS)                    | 1     |
|       | S99527025 | Placa de metal curvo con riel (B5736SS)                    | 1     |
| 9     | S99526983 | Conector del regulador de tiro/conducto                    | 1     |
| 10    | S99526984 | Conducto de aluminio flexible expansible 6 pulg. de diám.  | 1     |
| 11    | S99526985 | Conjunto del pleno para sistemas sin conductos             | 1     |
| 12    | S99526987 | Soporte de montaje para la campana                         | 1     |
| 13    | S99526989 | Soporte de montaje del tubo de humos inferior              | 1     |
| 14    | S99526991 | Soporte de montaje del tubo de humos superior              | 1     |
|       | S99527011 | Transformador (no se muestra)                              | 1     |
|       | S99527012 | Capacitor (no se muestra)                                  | 1     |
|       | S99527013 | Cubierta de plástico (no se muestra)                       | 1     |
|       | S99526994 | Bolsa de piezas (no se muestra)                            | 1     |

Al hacer el pedido de una pieza de repuesto, especifique el número de la pieza (no el número de la clave).

## DIAGRAMA DE CABLEADO



## GARANTÍA

### GARANTIA BROAN-NUTONE LIMITADA POR UN AÑO

Broan-NuTone garantiza al consumidor comprador original de sus productos que dichos productos carecerán de defectos en materiales o en mano de obra por un período de un año a partir de la fecha original de compra. NO EXISTEN OTRAS GARANTIAS, EXPLICITAS O IMPLICITAS, INCLUYENDO, PERO NO LIMITADAS A, GARANTIAS IMPLICITAS DE COMERCIALIZACION O APTITUD PARA UN PROPOSITO PARTICULAR. Durante el período de un año, y a su propio criterio, Broan-NuTone reparará o reemplazará, sin costo alguno cualquier producto o pieza que se encuentre defectuosa bajo condiciones normales de servicio y uso. LA PRESENTE GARANTIA NO CUBRE LOS TUBOS FLUORESCENTES NI SUS ARRANCADORES, BOMBILLAS DE HALÓGENO E INCANDESCENTES, FUSIBLES, FILTROS, CONDUCTOS, TAPONES DE TECHO O PAREDES Y DEMÁS ACCESORIOS PARA CONDUCTOS. Esta garantía no cubre (a) mantenimiento y servicio normales o (b) cualquier producto o piezas que hayan sido utilizadas de forma errónea, negligente, que hayan causado un accidente, o que hayan sido reparadas o mantenidas inapropiadamente (por otras compañías que no sean Broan-NuTone), instalación defectuosa, o instalación contraria a las instrucciones de instalación recomendadas.

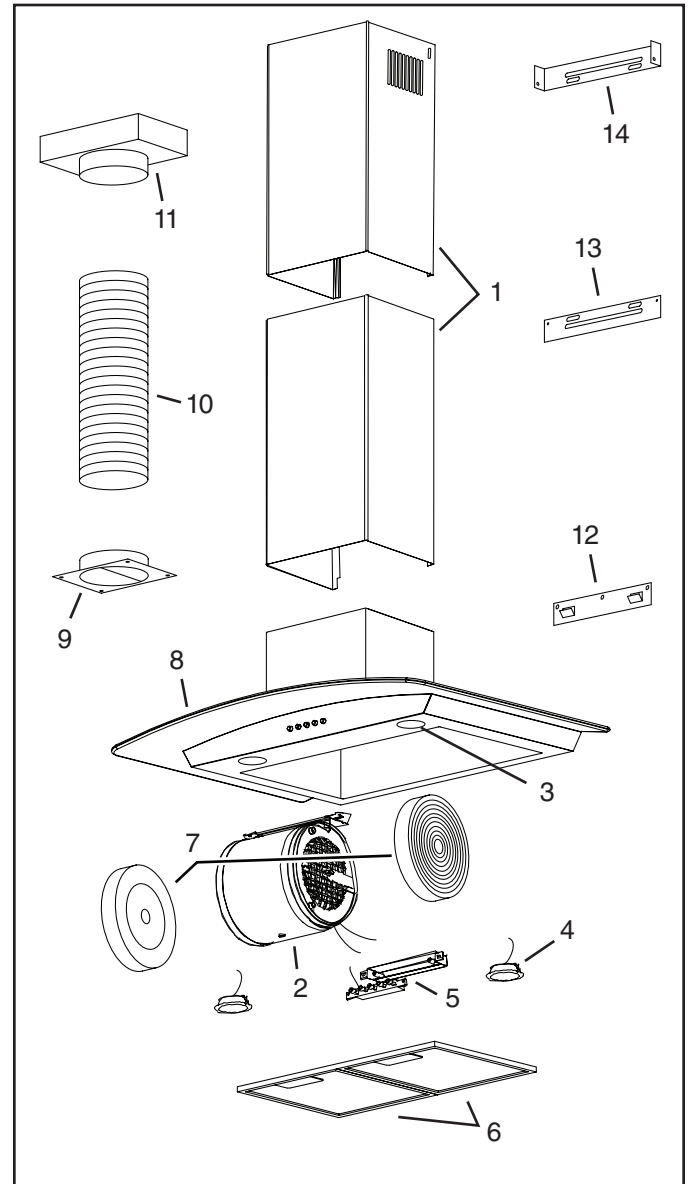
La duración de cualquier garantía implícita se limita a un período de un año como se especifica en la garantía expresa. Algunos estados no permiten limitaciones en cuanto al tiempo de expiración de una garantía implícita, por lo que la limitación antes mencionada puede no aplicarse a usted.

LA OBLIGACION DE BROAN-NUTONE DE REPARAR O REEMPLAZAR, SIGUIENDO EL CRITERIO DE BROAN-NUTONE, DEBERA SER EL UNICO Y EXCLUSIVO RECURSO LEGAL DEL COMPRADOR BAJO ESTA GARANTIA. BROAN-NUTONE NO SERA RESPONSABLE POR DAÑOS INCIDENTALES, CONSIGUIENTES, O POR DAÑOS ESPECIALES QUE SURJAN A RAIZ DEL USO O DESEMPEÑO DEL PRODUCTO. Algunos estados no permiten la exclusión o limitación de daños incidentales o consiguientes, por lo que la limitación antes mencionada puede no aplicarse a usted.

Esta garantía le proporciona derechos legales específicos, y usted puede también tener otros derechos, los cuales varían de estado a estado. Esta garantía reemplaza todas las garantías anteriores.

Para calificar en la garantía de servicio, usted debe (a) notificar a Broan-NuTone al domicilio o al número de teléfono que se menciona abajo, (b) dar el número del modelo y la identificación de la pieza, y (c) describir la naturaleza de cualquier defecto en el producto o pieza. En el momento de solicitar servicio cubierto por la garantía, usted debe de presentar evidencia de la fecha original de compra.

Broan-NuTone LLC, 926 W. State Street, Hartford, Wisconsin 53027 www.broan.com 800-558-1711  
Broan-NuTone Canada, Inc., 1140 Tristar Drive, Mississauga, Ontario L5T 1H9 www.broan.ca 877-896-1119



Se pueden hacer los pedidos de las piezas de repuesto en nuestro sitio Web: [www.broan.com](http://www.broan.com).

