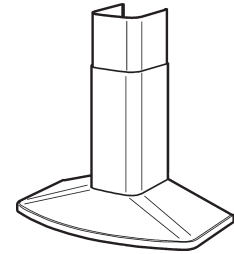


# RM52000 SERIES (RANGEMASTER®) by Broan-NuTone RANGE HOOD



A wall-mounted chimney hood with sleek, graceful, hand-rolled curves that is engineered to meet the requirements of today's conventional appliance and kitchen styles.

### FEATURES

- Professional style design
- 430 Stainless Steel #4 Brushed construction
- Wall mount installation
- Seamless corners for easy cleaning
- Ducted/non-ducted telescopic flue - fits 8 ft. to 9 ft. ceilings
- 6" round duct connector/backdraft damper
- 370 cfm centrifugal blower
- Three-speed slide control
- Dual halogen lighting (2 x 20 Watt, Type JC 12V 20W G4 Base - bulbs included)
- Dishwasher-safe aluminum filter features a quick-release latch and professional style appearance
- Available sizes: 30", 36", 42"
- Heat Sentry™ - automatically turns blower to high speed when excess cooking heat is detected

### OPTIONS

- Replacement grease filters available
- Non-ducted recirculation kit (Model RRK51)
- Replacement charcoal filter (Model FILTERSQUARE)
- Flue Extension for 10 ft. ceiling Model RFX5204 (ducted applications), Model RFXN5204 (non-ducted applications) (35-1/16" long)

### SPECIFICATIONS

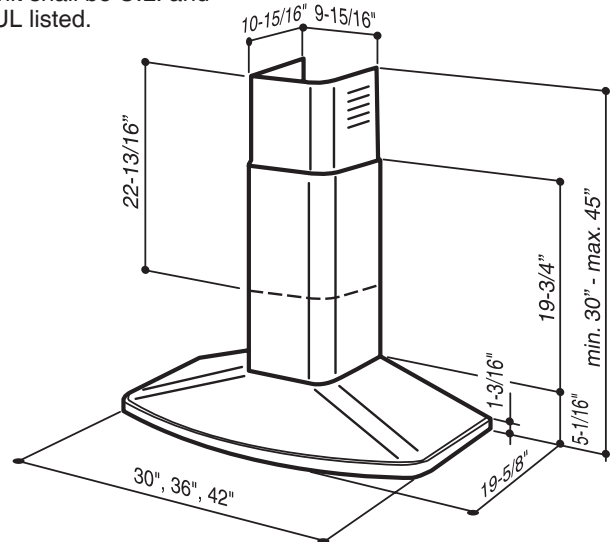
VOLTS	AMPS	CFM	SONES	DUCT
120	2.63	370	7.0	6" round



Broan-NuTone LLC, 926 West State Street, Hartford, WI 53027 (1-800-637-1453)  
 NuTone, Inc., 4820 Red Bank Road, Cincinnati, OH 45227 (1-800-543-8687)  
 Broan-NuTone Canada, Inc., 1140 Tristar Drive, Mississauga, Ontario, L5T 1H9 (1-888-882-7626)

### TYPICAL SPECIFICATION

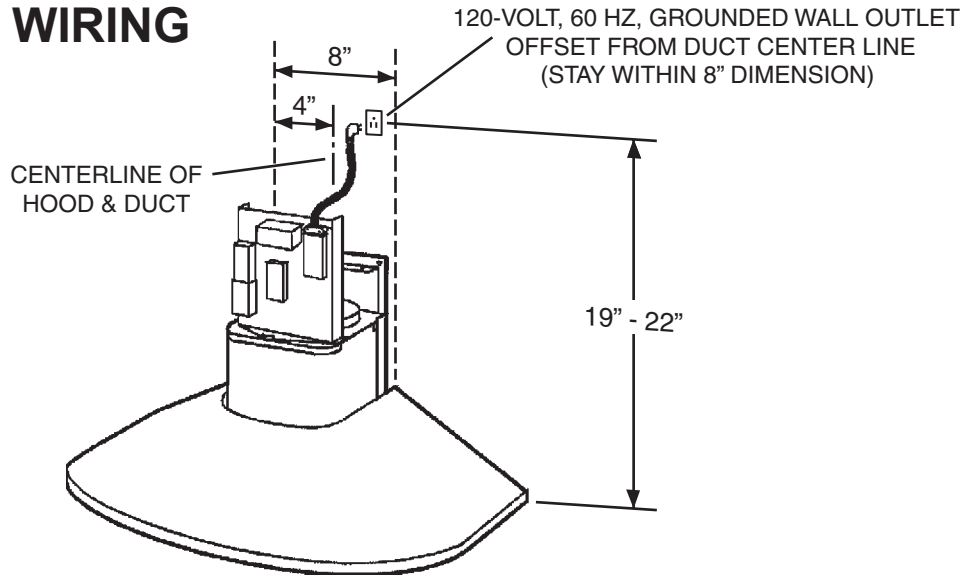
Range hood shall be Broan Model RM52000.  
 Unit shall be convertible between ducted (using a washable aluminum filter) and non-ducted (using a recirculation kit).  
 Motor to be permanently lubricated.  
 Unit shall have three-speed fan switch and separate light switch.  
 Sides shall be mitered and bottom edge hemmed - with no sharp edges.  
 Air delivery shall be no less than 370 CFM.  
 Unit shall be U.L. and cUL listed.



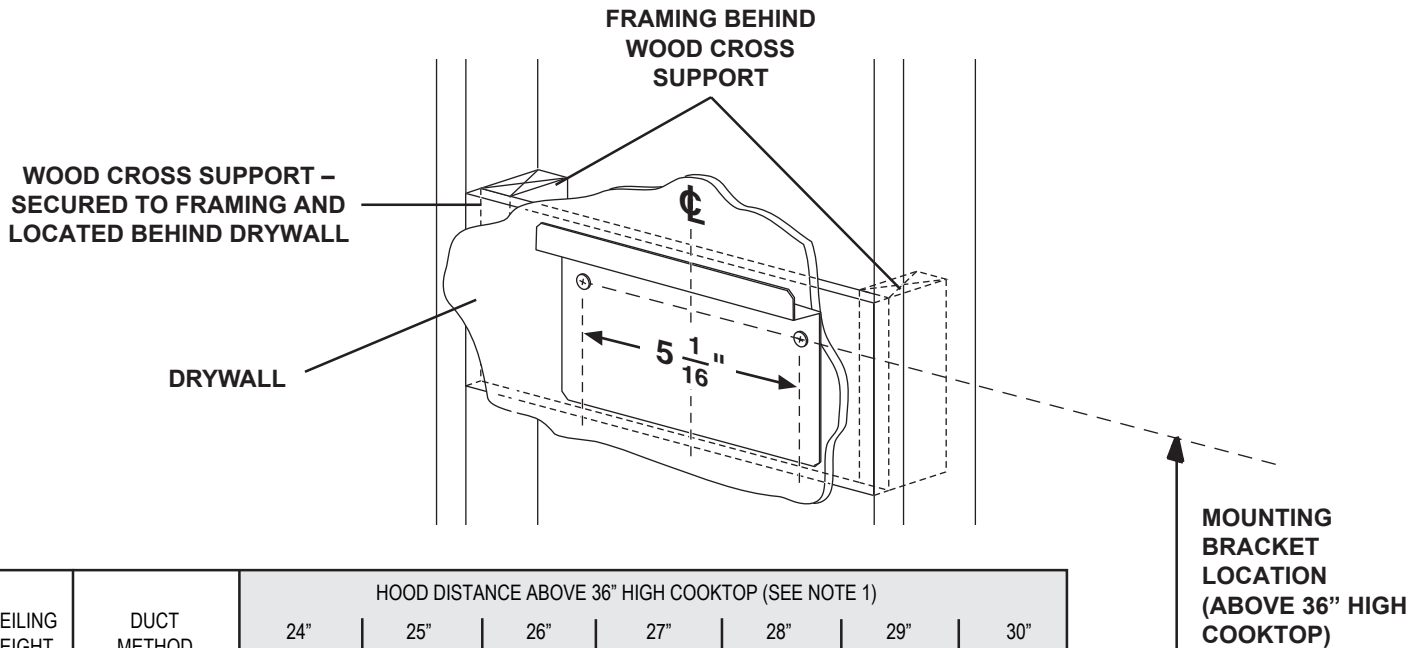
HVI-2100 CERTIFIED RATINGS comply with new testing technologies and procedures prescribed by the Home Ventilating Institute, for off-the-shelf products, as they are available to consumers. Product performance is rated at 0.1 in. static pressure, based on tests conducted in AMCA's state-of-the-art test laboratory. Sones are a measure of humanly-perceived loudness, based on laboratory measurements.

REFERENCE	QTY.	REMARKS	Project
			Location
			Architect
			Engineer
			Contractor
			Submitted by <span style="float: right;">Date</span>

# RM52000 SERIES WIRING



# RM52000 SERIES MOUNTING



CEILING HEIGHT	DUCT METHOD	HOOD DISTANCE ABOVE 36" HIGH COOKTOP (SEE NOTE 1)						
		24"	25"	26"	27"	28"	29"	30"
8 FEET	DUCTED	38"	39"	40"	41"	42"	43"	44"
	NONDUCTED	38"	39"	40"	41"			
9 FEET	DUCTED OR NONDUCTED				41"	42"	43"	44"
10 FEET	DUCTED OR NON-DUCTED (SEE NOTE 2)			40"	41"	42"	43"	44"

## NOTES:

- Minimum hood distance above cooktop must not be less than 24".  
A maximum of 30" above the cooktop is highly recommended for best capture of cooking impurities.  
Distances over 30" above the cooktop are at the installer's and user's discretion - providing that ceiling height and flue length permit.
- Requires optional 10-foot flue extension model RFX5204 (ducted) or RFXN5204 (non-ducted).

**BROAN** Elite

**(RANGEMASTER)**  
by Broan-NuTone

Broan-NuTone LLC, 926 West State Street, Hartford, WI 53027 (1-800-637-1453)

NuTone, Inc., 4820 Red Bank Road, Cincinnati, OH 45227 (1-800-543-8687)

Broan-NuTone Canada, Inc., 1140 Tristar Drive, Mississauga, Ontario, L5T 1H9 (1-888-882-7626)