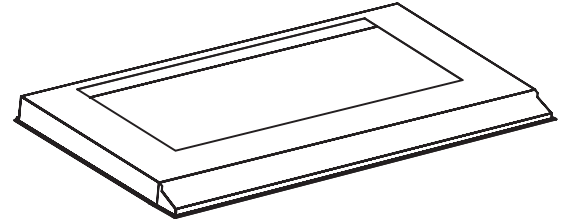


RML7030S, RML7036S, RML7048S, RML7030L, RML7036L AND RML7048L LINERS



Especially designed to protect the exterior base of a custom hood. Fit RMP1 and RMPE inserts.

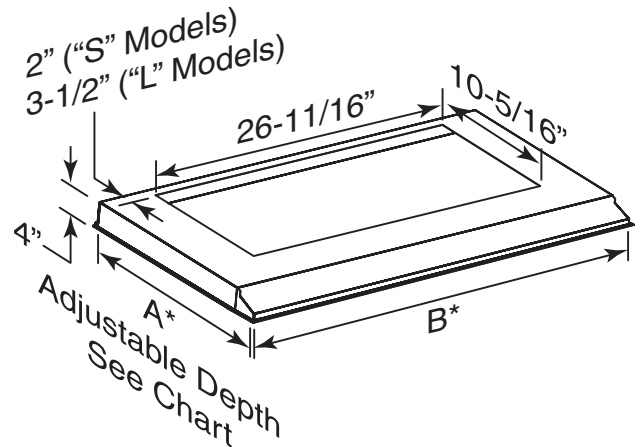
FEATURES

- Cabinet mount – custom application
- Stainless Steel Finish
- Adjustable depth to fit into cabinet openings as shown on chart (front to back)
- Fit custom hood nominal widths: 30", 36" or 48"
- Wipes clean easily

TO ORDER

Refer to table below to find the right liner part number for your insert and for width of the custom hood.

DIMENSIONS



* Dimension does not include 3/8" wide flange.

Liner Model	Insert Model	Custom Hood Nominal Width	Adjustable Depth A* Fits into cabinet openings of		Width B*
			Without Backboard	With Backboard	
RML7030S	RMP1 or RMPE	30"	17 1/2" to 20 1/2"	17 1/8" to 20 1/8"	28 3/8"
RML7036S	RMP1 or RMPE	36"	17 1/2" to 20 1/2"	17 1/8" to 20 1/8"	34 3/8"
RML7048S	RMP1 or RMPE	48"	17 1/2" to 20 1/2"	17 1/8" to 20 1/8"	46 3/8"
RML7030L	RMP1 or RMPE	30"	20 1/2" to 23 1/2"	20 1/8" to 23 1/8"	28 3/8"
RML7036L	RMP1 or RMPE	36"	20 1/2" to 23 1/2"	20 1/8" to 23 1/8"	34 3/8"
RML7048L	RMP1 or RMPE	48"	20 1/2" to 23 1/2"	20 1/8" to 23 1/8"	46 3/8"

The INSIDE DEPTH shown in the table above assumes a minimum cabinet backboard thickness of 3/8".

Broan-NuTone LLC Hartford, Wisconsin www.broan.com 800-558-1711
Broan-NuTone Canada Mississauga, Ontario www.broan.ca 877-896-1119

REFERENCE	QTY.	REMARKS	Project
			Location
			Architect
			Engineer
			Contractor
			Submitted by Date