



DISTINCT BY DESIGN™

# Installation Instructions

## 36" Built-In Bottom-Freezer Refrigerators - CDB36

If you have questions, visit our website at: [cafeappliances.com](http://cafeappliances.com).  
In Canada, visit: [cafeappliances.ca](http://cafeappliances.ca)

### BEFORE YOU BEGIN

Read these instructions completely and carefully.

- **IMPORTANT** – Save these instructions for local inspector's use. Observe all governing codes and ordinances.
- **Note to Installer** – Be sure to leave these instructions with the Consumer.
- **Note to Consumer** – Keep these instructions with your Owner's Manual for future reference.



If you received a damaged unit, you should immediately contact your dealer or builder.



**Skill Level** – Installation of this unit requires basic mechanical, carpentry and plumbing skills. Proper installation is the responsibility of the installer. Product failure due to improper installation is not covered under the Café Warranty. See the Owner's Manual for warranty information.


### **WARNING** Electrical Shock Hazard.


Plug into a grounded 3-prong outlet.  
Do not remove the ground prong.  
Do not use an adapter.  
Immediately discontinue use of a damaged supply cord. If the supply cord is damaged it must be replaced by a qualified service professional with an authorized service part from the manufacturer.


Do not use an extension cord with this appliance. Failure to follow these instructions can result in death, fire, or electrical shock.  
Follow the instructions in the section Grounding the unit. This appliance must be installed with a means in the fixed house wiring or circuit breaker for disconnecting the appliance from the electrical supply after installation.

** WARNING**  **Tip Over Hazard.** These appliances are top heavy, especially with any doors open, and must be secured to prevent tipping forward which could result in death or serious injury. Read and follow the entire installation instructions for securing the appliance with the anti-tip system.

** WARNING**  **Fire or Explosion Hazard.** Keep flammable materials and vapors away from appliance. Failure to do so can result in fire, explosion, or death.

** WARNING** To reduce the risk associated with choking, do not allow children under 3 years of age to have access to small parts during the installation of this product.

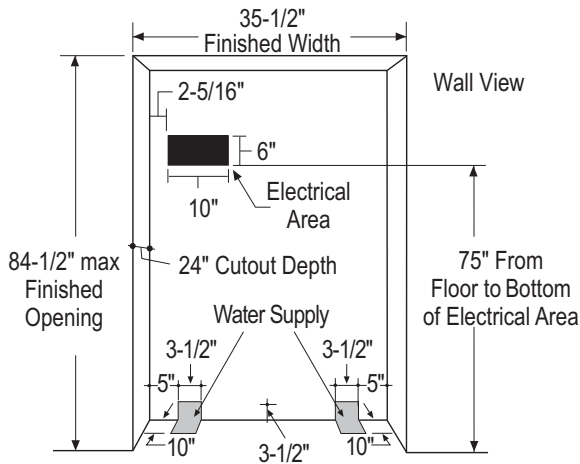
** CAUTION** **Lifting Hazard** This unit is very heavy. To reduce the risk of person injury during maneuvering and installing this appliance, 3 people are required for proper installation.

** CAUTION** Keep fingers out of the "pinch point" areas; clearances between the doors and between the doors and cabinet are necessarily small. Be careful closing doors when children are in the area.

## READ AND SAVE THESE INSTRUCTIONS

# Design Guide - Stainless Steel Installation

## THE INSTALLATION SPACE



### Water And Electrical Locations

Electrical and water supply must be located as shown.

The Cutout Depth Must Be 24" (60.96 cm)

The refrigerator will project forward, slightly beyond adjacent cabinetry, depending on your installation. Allow minimum 1/8" (0.32 cm) air gap between case back & wall.

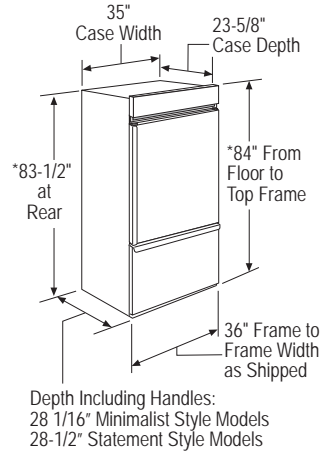
Cutout depth beneath a soffit:

When installed beneath a soffit, the soffit cannot exceed the 24" (60.96 cm) installation depth shown. The top case trim overlaps the bottom of the soffit.

### Additional Specifications

- A 115 volt 60Hz., 15 or 20 amp power supply is required. An individual properly grounded branch circuit or circuit breaker is recommended. Install a properly grounded 3-prong electrical receptacle recessed into the back wall. Electrical must be located on rear wall as shown.
- Water line can enter the opening through the floor or back wall. Route SmartConnect™ kit or 1/4" O.D. copper tubing between the cold water line and the water connection location. The tubing should be long enough to extend to the front of the refrigerator. Installation of an easily accessible shut-off valve in the water line is required.

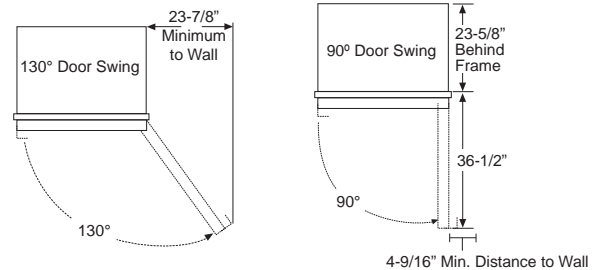
## DIMENSIONS AND CLEARANCES



\* Shipping height. The refrigerator can be adjusted to fit into a cutout that is 84-1/2" (214.63 cm) max. height. Note that the top case trim at the front is 1/2" (1.27 cm) higher and will overlap upper cabinetry or soffit. Use leveling legs and wheels for a maximum 1" (2.54 cm) height adjustment.

### Product Clearances

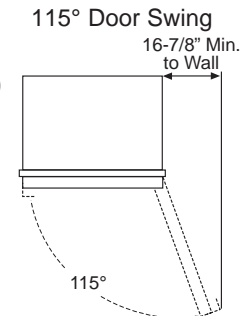
These refrigerators are equipped with a 3-position door stop. The factory set 115° door swing can be adjusted to 90° if clearance to adjacent cabinets or walls is restricted.



Allow 23 7/8" (60.64 cm) minimum clearance for a full 130° door swing. Allow 15" (38.0 cm) for pan removal.

For a 90° door swing, allow 4 9/16" (11.59 cm) min. clearance to a wall. If the 90° door stop position is used, pan access is maintained, but pan removal is restricted.

See illustration on page 27 to determine door swing interaction with adjacent cabinets or countertops.



# Design Guide - Stainless Steel Installation

---

## **CUSTOMIZATION BASICS:**

The unit comes with the Stainless Steel Handle on it. Optional Handle Kits are available

### **Handle Accessory Kits**

CXSB2H2PPBT - Brushed Black Stainless

CXSB2H2PPBZ - True Brushed Bronze

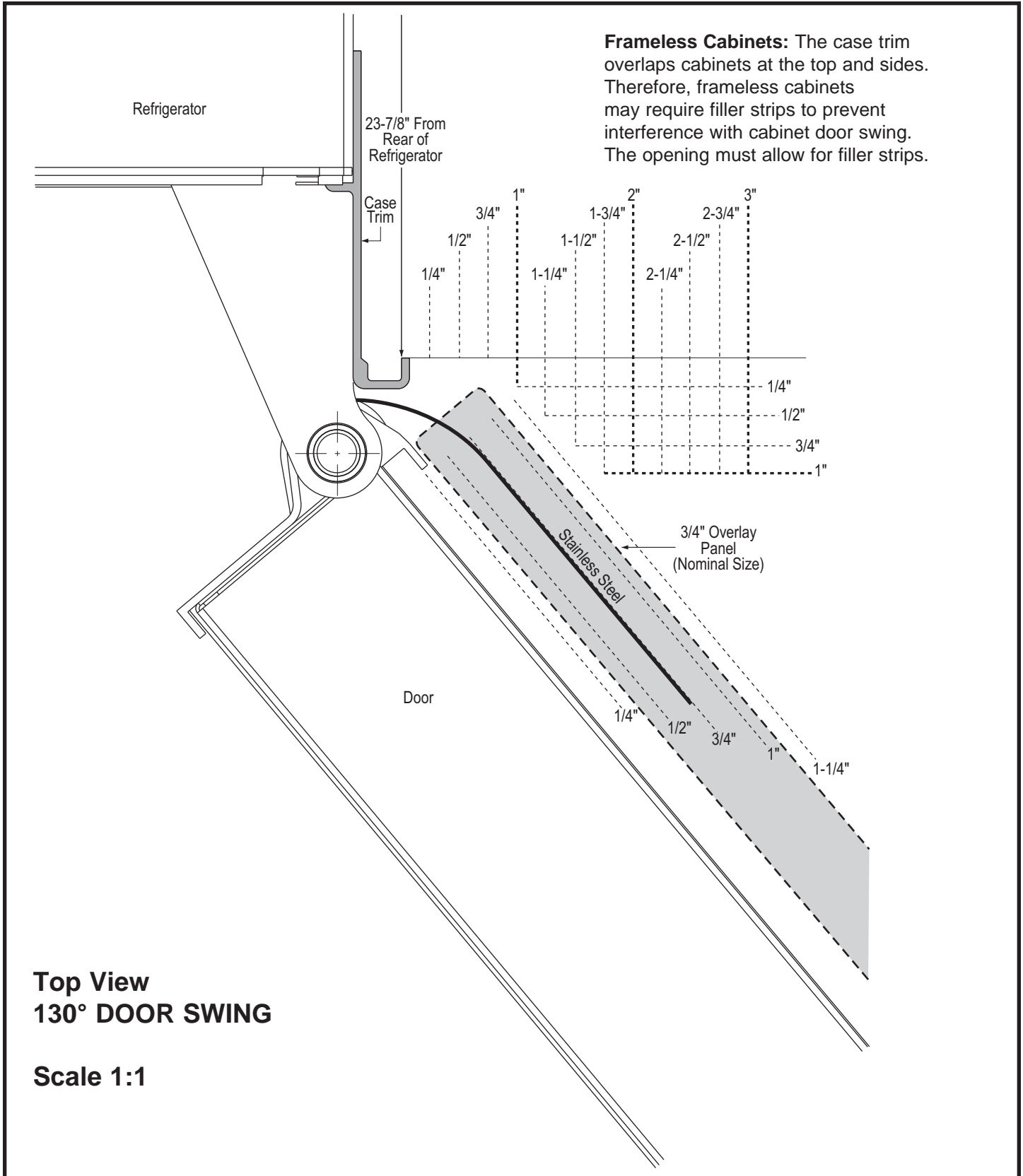
CXSB2H2PPCU - True Brushed Copper

\*Optional Handles - When ordering this product, be sure to use the model number associated with the chosen handle.

## **REFRIGERATOR LOCATION**

- Do not install the refrigerator where the temperature will go below 55°F (13°C). It will not run often enough to maintain proper temperatures.
- Do not install the refrigerator where temperatures will go above 100°F (37°C). It will not perform properly.
- Do not install the refrigerator in a location exposed to water (rain, etc.) or direct sunlight.
- Install it on a floor strong enough to support it fully loaded.

# Design Guide - Stainless Steel Installation



# Installation Instructions - Stainless Steel Installation

## TOOLS REQUIRED

- Tinsnips to cut banding
- Stepladder
- Bucket
- Level
- Appliance Hand Truck
- Tubing cutter
- 7/16" open-end wrench
- #2 Phillips screwdriver
- Drill and appropriate bits
- 5/16", 7/16" socket
- Safety glasses
- 1-1/4" open end wrench
- Pliers
- 1/4" ratchet

## HARDWARE SUPPLIED

- Water filter bypass plug
- Anti-Tip brackets
- 1/4" nut and ferrule

## MATERIALS REQUIRED

- 35" (88.9 cm) long 2x4 for Anti-Tip support
- 1/4" copper water line tubing or SmartConnect™ Refrigerator Tubing kits
- Water shut-off valve
- Custom panels for fresh food door, freezer drawer and grille panel
- Screws to secure refrigerator to cabinetry.
- Stick-on hook and loop fastener strips for 1/4" side panels

## FLOORING

For proper installation, this refrigerator must be placed on a level surface of hard material that is at the same height as the rest of the flooring. This surface should be strong enough to support a fully loaded refrigerator, or approximately 1,200 lbs. (544.31 cm).

NOTE: Protect the finish of the flooring. Cut a large section of the cardboard carton and place under the refrigerator where you are working.

## GROUNDING THE REFRIGERATOR

**⚠ WARNING**  **Electrical Shock Hazard.**

Failure to follow these instructions can result in death, fire, or electrical shock.

The power cord of this appliance is equipped with a 3-prong (grounding) plug which mates with a standard 3-prong (grounding) wall receptacle to minimize the possibility of electric shock hazard from this appliance.

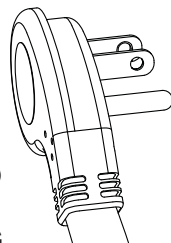
Have the wall outlet and circuit checked by a qualified electrician to make sure the outlet is properly grounded.

Where a standard 2-prong wall outlet is encountered, it is your personal responsibility and obligation to have it replaced with a properly grounded 3-prong wall outlet.

DO NOT, UNDER ANY CIRCUMSTANCES, CUT OR REMOVE THE THIRD (GROUND) PRONG FROM THE POWER CORD.

DO NOT USE AN ADAPTER PLUG TO CONNECT THE REFRIGERATOR TO A 2-PRONG OUTLET.

DO NOT USE AN EXTENSION CORD WITH THIS APPLIANCE.



# Installation Instructions - Stainless Steel Installation

## STEP 1 REMOVE PACKAGING

### ⚠ WARNING



### Tip Over Hazard.

The refrigerator is much heavier at the top than at the bottom—be careful when moving. When using a hand truck, handle from the side only.

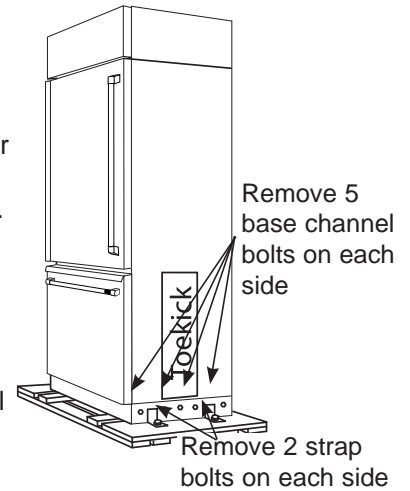
- Carefully cut banding at the top and bottom, remove the outer carton.
- Slide out the back corner posts (2).
- Slide the carton off the top of the cabinet.

**NOTE:** IT IS NOT NECESSARY TO LAY THE CABINET DOWN IN ORDER TO REMOVE THE SKID!

- The unit is secured to the skid with 4 slotted tie-down straps. Remove the six 7/16" bolts from the base channels in the tie-downs.
- Remove the six 7/16" bolts securing the straps to the skid.

**NOTE:** DO NOT ATTEMPT TO ROLL UNIT OFF SKID.


- The support blocks on the bottom of the refrigeration case must be removed before the refrigerator is taken off the skid or damage will occur. Carefully tilt the refrigerator and slide the blocks out from beneath.
- Remove the toekick and set aside for final installation.
- Lift the refrigerator off the skid with an appliance dolly. Handle from the sides.



# Installation Instructions - Stainless Steel Installation

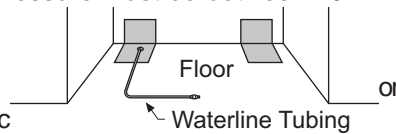
## STEP 2 INSTALL WATER LINE

**⚠ WARNING** Connect to potable water supply only. A cold water supply is required for automatic icemaker operation. The water pressure must be between 40 and 120 psi (275-827 kilopascals).

**⚠ WARNING**  **ELECTRIC SHOCK HAZARD**  
Attach tubing clamp using existing hole only. DO NOT drill into the refrigerator.

- A cold water supply is required for automatic icemaker operation. The water pressure must be between 40 and 120 p.s.i. (275-827 kPa).
- Route 1/4" OD copper SmartConnect™ plastic tubing between house cold water line and the water connection location.
- Tubing should be long enough to extend to the front of the refrigerator. Allow enough tubing to accommodate bend leading into the water line connection.

NOTE: The only Cafe-approved plastic tubing is supplied in the SmartConnect™ Refrigerator Tubing kits. Do not use any other plastic water supply line because the line is under pressure at all times. Other types of plastic may



crack or rupture with age and cause water damage to your home.

SmartConnect™ Refrigerator Tubing Kits are available in the following lengths:

2' (.6 m) - WX08X10002      8' (2.4 m) - WX08X10006  
15' (4.6 m) - WX08X1 0015      25' (7.6 m) - WX08X10025

### Shut off the main water supply.

Turn on the nearest faucet long enough to clear the line of water.

- Install a shut-off valve between the icemaker water valve and cold water pipe in a basement or cabinet. The shut-off valve should be located where it will be easily accessible.
- Turn on the main water supply and flush debris. Run about a quart of water through the tubing into a bucket. Shut off water supply at the shut-off valve.

**NOTE:** Saddle type shut-off valves are included in many water supply kits, but are not recommended for this application.

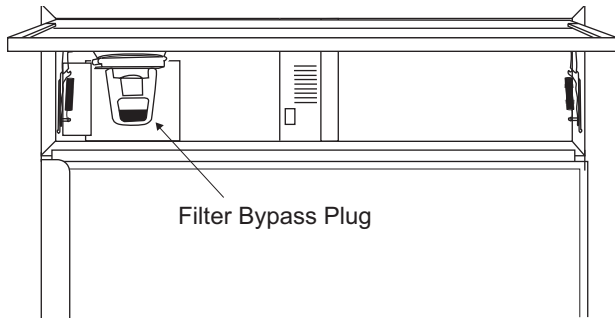
**NOTE:** Commonwealth of Massachusetts Plumbing Codes 248CMR shall be adhered to. Saddle valves are illegal and use is not permitted in Massachusetts. Consult with your licensed plumber.

# Installation Instructions - Stainless Steel Installation

## STEP 2A WATER LINE INSTALLATION WITH A REVERSE OSMOSIS SYSTEM OR OTHER HOUSEHOLD FILTRATION SYSTEM

Skip this step when not using an RO System or other household filtration system

If the water supply to the refrigerator is from a household filtration system, use the refrigerator's filter bypass plug. Using the refrigerator's water filtration cartridge with the RO filter can result in hollow ice cubes.



## STEP 3 INSTALL SIDE PANELS

Skip this step when not using side panels. If you are using 1/4" (0.63 cm) side panels, they should be inserted into the case trim. Fasten the panels to the refrigerator with stick-on hook and loop fastener strips before setting refrigerator in place.

## STEP 4 ANTI-TIP PROCEDURE

### ⚠ WARNING



### Tip Over Hazard.

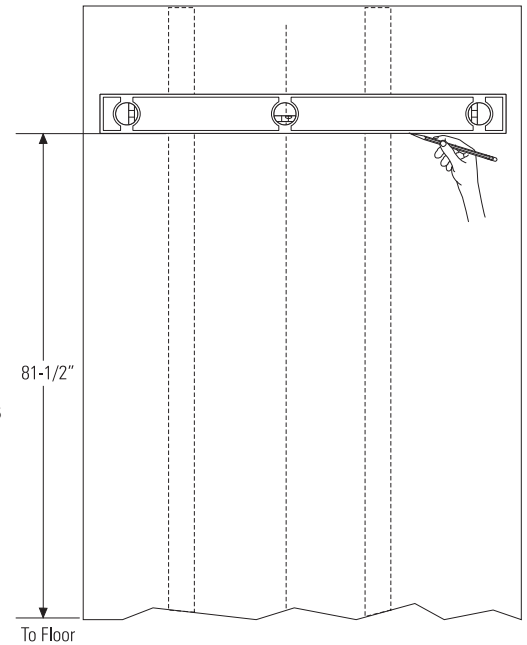
These refrigerators are top heavy, especially with any doors open, and must be secured to prevent tipping forward which could result in death or serious injury. Read and follow the entire installation instructions for securing the refrigerator with the anti-tip system.

- The kit supplied with the unit contains 2 lag bolts and 4 toggles with bolts. The wall bracket will be attached to the wall in 4 places.
- Measure the opening where the unit is to be installed. Mark the center with a vertical line.

- Measure up 81 1/2" (207.01 cm) from the floor. Mark this point on the wall.

- Using a level, draw a horizontal line on the wall at this height.

- Locate at least 2 studs on the back wall. Mark these points on the horizontal line.

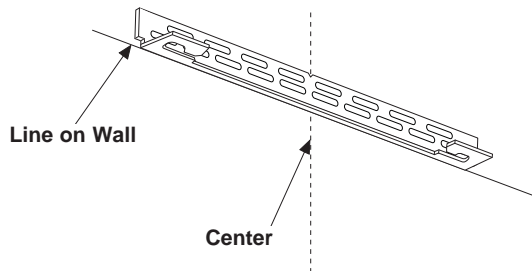




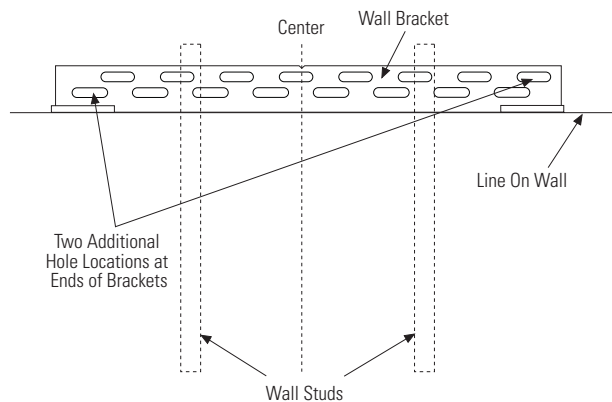
# Installation Instructions - Stainless Steel Installation

## STEP 4 ANTI-TIP PROCEDURE (CONT)

- Place the bottom of the wall bracket with tabs on the horizontal line. Align the center notch on the bracket with the center line on the wall.



- The anti-tip wall bracket has a series of holes. Select 2 holes that match with the located studs. Make sure the holes selected are on the center of the studs. Mark the wall at these points.
- Mark an additional hole at each end of the bracket. If one of the studs is closer to the end of the bracket, mark an additional hole towards the center of the bracket.



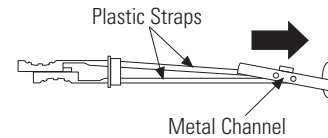
- Drill 1/2" (1.27 cm) holes into the wall board at the locations marked for the toggles to be mounted (not the stud markings).
- Drill 3/16" (0.47 cm) holes into wooden studs where marked. If steel stud construction, drill 1/2" (1.27 cm) holes into the studs where marked. You will use 2 toggles with the metal studs.

### Install Wall Toggles:

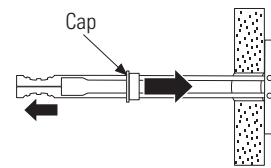
The wall toggles and bolts can be ordered as Service Kit #WR49X10193. Wall toggles are installed in the drywall and metal studs for stability. Install the wall toggles as follows:

- Drill 1/2" (1.27 cm) holes at the wall markings made in the holes at the ends of the wall bracket.

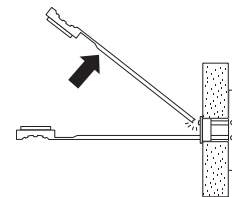
- Hold the metal channel flat against the plastic straps and slide the channel through the hole.



- Gently pull back at the ends of the plastic straps to make the channel rest flush behind the wall.
- Hold the ends of the straps in one hand and slide the plastic cap along the straps until the flange of the cap is flush with the wall.

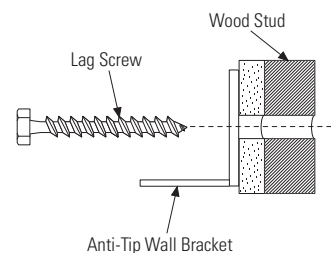


- Place your thumb between the plastic straps and bend up and down to snap the straps off at the wall.

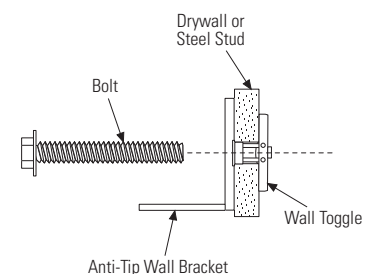


### Install Screws and Bolts:

- Have someone hold the wall bracket centered in place with each of the holes aligned with the correct opening in the bracket and level with the horizontal line.
- Insert the lag screws through the bracket and into the stud. Tighten with a wrench.



- Insert the bolts into the toggle by hand until snug. Tighten with a wrench.



# Installation Instructions - Stainless Steel Installation

## STEP 4 ANTI-TIP PROCEDURE (CONT)

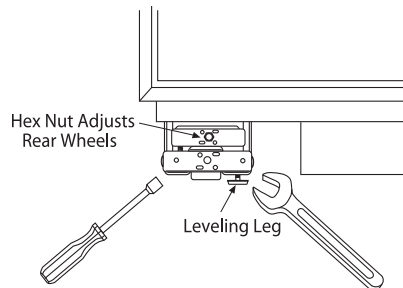
### Connect Power Cord:

- Before pushing the refrigerator into the opening, plug the power cord into the receptacle. Open the grille panel and reach into the opening at the back to grasp the power cord. Pull the power cord into the opening as you push the refrigerator back.
- Gently push refrigerator into the opening with hands against front corners.

## STEP 5 LEVEL REFRIGERATOR

All models have 4-point leveling. The front is supported by leveling legs, the rear is supported by adjustable wheels. Both are accessible from the front of the refrigerator.

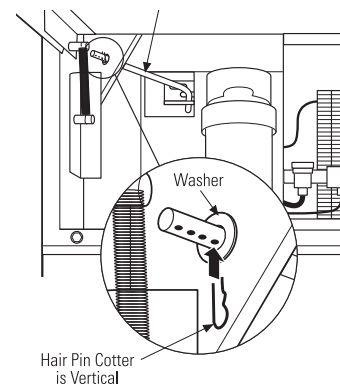
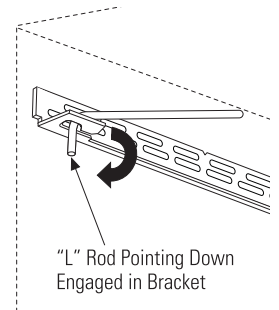
- To level the back of the refrigerator, turn the 7/16" hex nut located above the rear wheels. Turn clockwise to raise or counterclockwise to lower the refrigerator.
- For front leveling, use a 1-1/4" open-end wrench. Adjust height of refrigerator to match installation cutout opening 83-1/2" (212.09 cm) to 84-1/2" (214.63 cm). The refrigerator should be level and plumb with cabinetry.



The rear leveling wheels and front leveling legs are limited to a maximum height adjustment of 1" (2.54 cm). If the installation requires more than 84-1/2" (214.63 cm) height, the installer should elevate the refrigerator on a sheet of plywood or runners. Cabinetry trim could also be added across the top of the opening to shorten the opening. If you attempt to raise the refrigerator more than 1" (2.54 cm), you will damage the front leveling legs and the rear leveling wheels.

## STEP 6 SECURE UNIT TO WALL

- The "L" rod can be found in the upper left corner of the unit in the access compartment. Look through the access compartment to make sure the rod lines up with the anti-tip bracket.
  - There are 2 washers and a hair pin cotter with the rod. Remove the washers and hair pin cotter from the end of the rod.
  - Rotate and move the "L" rod into the slot in the anti-tip bracket tab. Once it is in the slot, rotate the "L" rod so the hook portion is pointing down. The holes at the front end of the rod should be in a vertical position.
  - Pull out on the end of the rod to make sure it is secure in the bracket.
  - Locate the hole on the rod that is closest to the unit. A hair pin cotter will be put through this hole to secure the rod. If this hole appears to be too far away for a snug fit against the unit, add the washers one at a time until the pin will fit tightly into the hole.
  - Align the straight section of the pin with the hole from the underside of the rod. Push the pin up until it snaps into position. Pliers may be used.
- NOTE: The hair pin cotter must be vertical when this step is completed to ensure the "L" rod is engaged in the bracket.
- Check the rod for tightness by pulling forward. If the rod moves, remove the hair pin cotter and place another washer on the rod. Reinsert the pin.

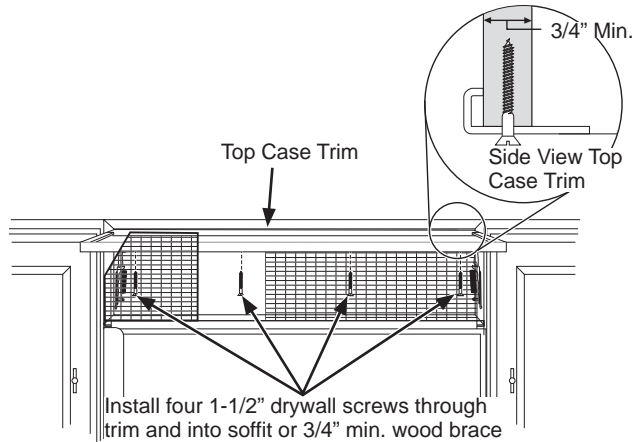


# Installation Instructions - Stainless Steel Installation

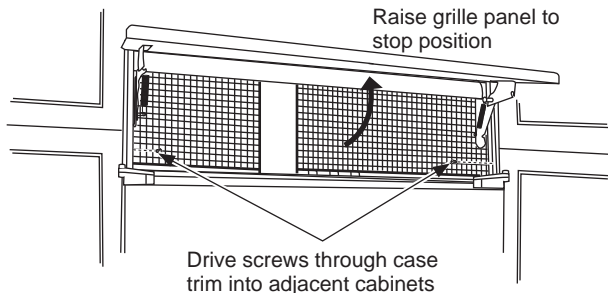
## STEP 7 ALTERNATE ANTI-TIP PROCEDURE

The refrigerator must be secured to prevent tipping. When the anti-tip bracket cannot be used, this alternate method can be used to prevent the refrigerator from tipping.

- Raise the grille panel to access case trim.
- Use a 3/16" bit to drill four evenly spaced clearance holes through the metal top case trim.



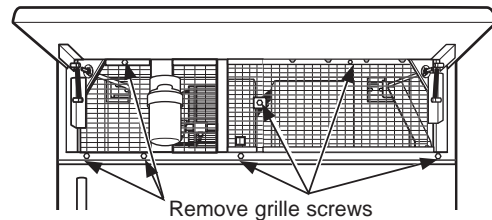
- Use a 1/16" bit to drill pilot holes through the metal clearance holes and into the wood soffit. The holes should be centered in the soffit or a 3/4" (1.90 cm) min. wood brace. The brace spanning the enclosure must be securely fastened to cabinets on both sides.
- Install four, 1-1/2" (3.81 cm) drywall screws into the pilot holes.
- If no soffit above the unit, drill screws into adjacent cabinets through the side case trim.



## STEP 8 ADJUST DOOR SWING

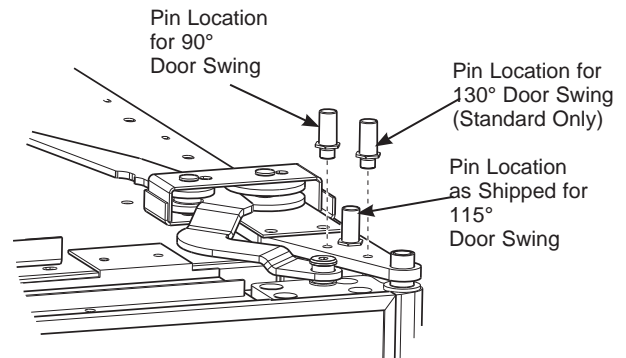
**NOTE:** This refrigerator has a 3-position door stop. When space does not allow the door to swing open fully to 115°, you may change the door swing to open fully to 90°. A 130° door swing is available for standard installation only. If used for flush installation, damage will occur to wood panels. Skip this step if door opening is satisfactory for your installation situation.

- Lift the grille panel to access the wire cover trim.
- Remove screws on both sides of the wire cover trim and rotate off.
- Use pliers to unscrew door stop and reinstall into the



90° or 130° (standard only) position.

- Reinstall the wire cover trim.



## STEP 9 CONNECT WATER SUPPLY

**WARNING** Connect to potable water supply only. A cold water supply is required for automatic icemaker operation. The water pressure must be between 40 and 120 psi (275-827 kilopascals).

**WARNING**  **ELECTRIC SHOCK HAZARD**  
Attach tubing clamp using existing hole only. DO NOT drill into the refrigerator.

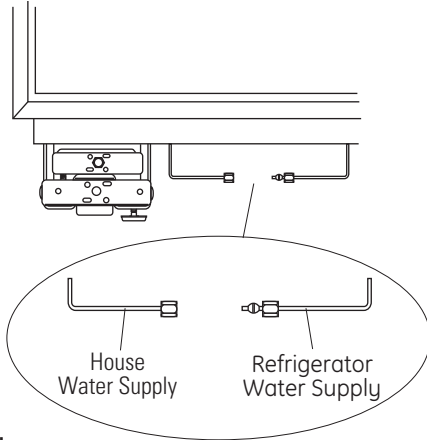
# Installation Instructions - Stainless Steel Installation

## STEP 9 CONNECT WATER SUPPLY (cont.)

- Locate and bring tubing to the front of the cabinet.
- Turn the water on to flush debris from line. Run about a quart of water through tubing into a bucket, then shut off water.

### Copper Tubing:

- Slip a 1/4" nut and ferrule (provided) over both ends of the copper tubing. Insert tube into the union fitting on the unit and tighten nut to union.
- Turn on the water to check for leaks.



### SmartConnect™ Tubing:

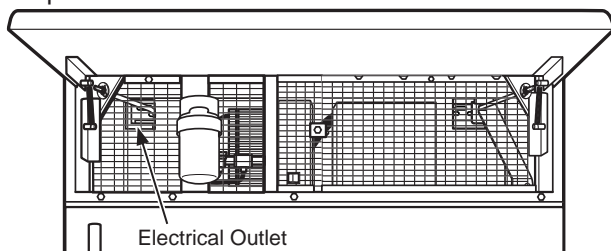
**NOTE:** The only Cafe-approved plastic tubing is supplied in the SmartConnect™ Refrigerator Tubing kits. Do not use any other plastic water supply line because the line is under pressure at all times. Other types of plastic may crack or rupture with age and cause water damage to your home.

- Insert the molded end of the tubing into the refrigerator connection. Tighten the compression nut until it is just hand tight.
- Tighten one additional turn with a wrench. Overtightening can cause leaks!
- Turn on the water to check for leaks.

**NOTE:** Make sure excess tubing length does not interfere with drawer closing or toe kick installation.

## STEP 10 CONNECT POWER


- Check to be sure the power cord is plugged into the receptacle.



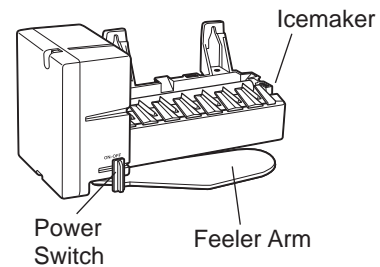
- Check to make sure power to refrigerator is on by opening refrigerator door to see if interior lights are on.
- The temperature controls are preset at 37°F for the fresh food section and 0°F for the freezer.
- Allow 24 hours to stabilize before making adjustments.

## STEP 11 START ICEMAKER

**▲ WARNING** Connect to potable water supply only. A cold water supply is required for automatic icemaker operation. The water pressure must be between 40 and 120 psi (275-827 kilopascals).

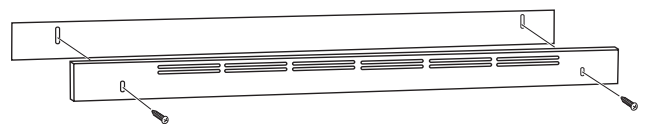
**▲ WARNING**  **ELECTRIC SHOCK HAZARD**  
Attach tubing clamp using existing hole only. DO NOT drill into the refrigerator.

- The icemaker will begin operation automatically.
- Be sure nothing interferes with the sweep of the feeler arm.
- Discard the first full bucket of ice cubes.
- To turn the icemaker off, slide the switch to O (OFF).



## STEP 12 INSTALL TOEKICK

- Locate the supplied toekick (shipped taped to the side of the refrigerator). Install the toekick assembly with the 2 screws provided, adjust to the desired height and tighten the screws.



**IMPORTANT:** A custom toekick can be installed to match or complement the surrounding cabinetry but can NOT cover the horizontal vent slots of the factory toe kick.

# Notes

---

C A F É

---

DISTINCT BY DESIGN™

**NOTE:** While performing installations described in this book, safety glasses or goggles should be worn.

**NOTE:** Product improvement is a continuing endeavor at Cafe Appliances. Therefore, materials, appearance and specifications are subject to change without notice.

## Instructions d'installation

## Réfrigérateurs encastrables à congélateur en bas de 36" - CDB36

Si vous avez des questions, visitez notre site Web à: [cafeappliances.com](http://cafeappliances.com).  
Au Canada, visitez: [cafeappliances.ca](http://cafeappliances.ca)

### AVANT DE COMMENCER

Veillez lire toutes ces instructions attentivement.

- **IMPORTANT** — Conservez ces instructions à l'usage de l'inspecteur local. Observez tous les codes et décrets en vigueur.
- **Note à l'installateur** — Assurez-vous de laisser ces instructions au consommateur.
- **Note au consommateur** - Conservez ces instructions avec votre manuel d'utilisation pour consultation ultérieure.

Si vous avez reçu un appareil endommagé, veuillez communiquer immédiatement avec votre revendeur ou votre entrepreneur.

**Niveau de compétence** – L'installation de cet appareil exige des compétences de base en mécanique, menuiserie et plomberie. La responsabilité d'une installation adéquate relève de l'installateur. La garantie Cafe ne couvre pas les défauts du produit causés par une installation inadéquate. Consultez le manuel d'utilisation pour des renseignements sur la garantie.

### **⚠ AVERTISSEMENT** **Risque d'électrocution.**

Branchez l'appareil dans une prise à 3 broches mise à la terre.

N'enlevez pas la broche de mise à la terre.

N'utilisez pas un adaptateur.

Cessez immédiatement l'utilisation d'un cordon électrique endommagé. Si le cordon électrique est endommagé, son remplacement doit être exécuté par un technicien en réparation qualifié au moyen d'un cordon de rechange autorisé par le fabricant.

N'utilisez pas un cordon de rallonge avec cet électroménager.

Le non-respect de ces instructions peut occasionner un décès, un incendie ou un choc électrique

Suivez les instructions de la section Mise à la terre de l'appareil.

Le circuit électrique auquel cet électroménager sera raccordé doit comporter un disjoncteur ou un autre dispositif permettant de couper l'alimentation électrique à l'appareil après l'installation.

### **⚠ AVERTISSEMENT** **Risque de basculement.**

Ces électroménagers sont lourds du haut, notamment lorsqu'une porte est ouverte, de sorte qu'ils doivent être fixés pour prévenir un basculement vers l'avant susceptible d'occasionner des blessures graves ou la mort. Lisez et observez la totalité des instructions d'installation pour connaître la façon de fixer l'électroménager sur le dispositif antibasculement.

### **⚠ AVERTISSEMENT** **Risque d'incendie ou d'explosion.**

Gardez les matériaux et les vapeurs inflammables à l'écart de l'appareil. L'omission de prendre cette précaution peut entraîner un incendie, une explosion ou la mort.

**⚠ AVERTISSEMENT** Pour réduire le risque d'étouffement pendant l'installation de ce produit, ne pas laisser les petites pièces à la portée des enfants âgés de moins de 3 ans.

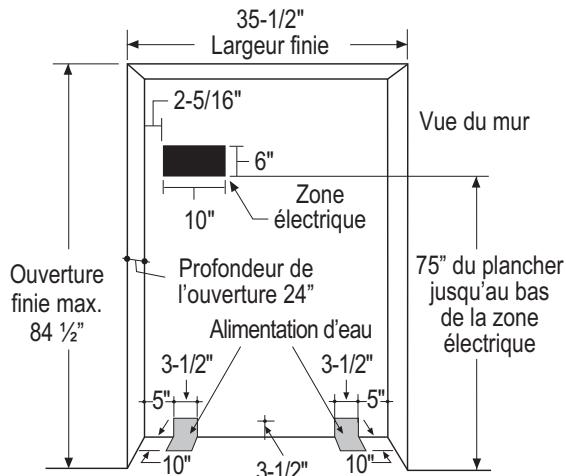
### **⚠ AVERTISSEMENT** **Risque lié à la manipulation d'un objet lourd**

Cet appareil est très lourd. Afin de réduire le risque de blessure pendant la manipulation et l'installation de cet électroménager, la participation de 3 personnes est nécessaire à l'exécution d'une installation correcte.

**⚠ AVERTISSEMENT** Gardez vos doigts éloignés des points de pincement. Les espaces entre les portes et ceux entre les portes et l'armoire sont particulièrement restreints. Soyez prudent lorsque vous fermez les portes en présence d'enfants.

# Guide de conception – Installation en acier inoxydable

## L'ESPACE D'INSTALLATION



### Emplacements des alimentations d'eau et électrique.

Les alimentations d'eau et électrique doivent se situer comme illustré.

### La profondeur de l'ouverture doit mesurer 24 po (60,96 cm)

Le réfrigérateur se projettera vers l'avant, légèrement au-delà des armoires adjacentes, selon le type de votre installation. Allouez un espace d'air minimal de 1/8 po (0,32 cm) entre l'arrière du caisson et le mur.

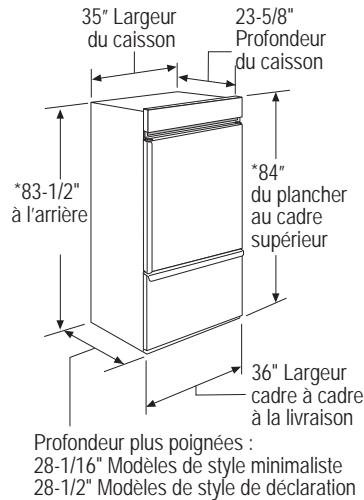
Profondeur de l'ouverture en dessous d'un soffite :

Si l'installation s'effectue sous un soffite, celui-ci ne peut dépasser la profondeur de l'installation de 24" (60,96 cm) illustrée. La garniture de caisson supérieure chevauche le bas du soffite.

### Spécifications supplémentaires

- Une alimentation électrique de 115 volts, 60Hz, 15 ou 20 ampères est requise. Un circuit de dérivation ou un disjoncteur distinct correctement mis à la terre sont recommandés. Installez une prise électrique à trois alvéoles correctement mise à la terre encastrée dans le mur arrière. Le câblage électrique doit se situer sur le mur arrière comme illustré.
- La conduite d'eau peut pénétrer dans l'ouverture à travers le plancher ou le mur arrière. Acheminez la trousse SmartConnect™ ou un tuyau de cuivre de 1/4 po (D.E.) entre la conduite d'eau froide et le lieu du raccord d'eau. Le tuyau doit être suffisamment long pour atteindre le devant de l'appareil. L'installation d'un robinet de sectionnement aisément accessible est requise.

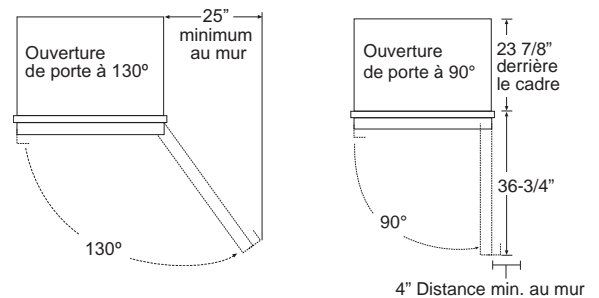
## DIMENSIONS ET DÉGAGEMENTS



\* Hauteur à la livraison. On peut ajuster le réfrigérateur pour le placer dans une ouverture de 84 1/2 po (214,63 cm) de hauteur max. Notez que la garniture de caisson supérieure sur le devant est plus haute de 1/2 po (1,27 cm) et qu'elle chevauchera l'armoire supérieure ou le soffite. Utilisez les pieds de nivellement et les roulettes pour un ajustement maximal en hauteur de 1 po (2,54 cm).

### Dégagements du produit

Ces réfrigérateurs sont dotés d'une butée à 3 positions. L'ouverture de porte de 115° réglée à l'usine peut s'ajuster à 90° si le dégagement aux armoires ou aux murs adjacents est restreint.

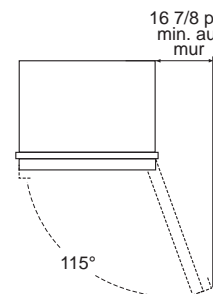


Allouez un dégagement minimal de 23 7/8 po (60,64 cm) pour une ouverture complète à 130°. Allouez 15 po (38,1 cm) pour le retrait du plateau.

Dans le cas d'une ouverture de porte à 90°, allouez un dégagement minimal de 4 9/16 po (11,59 cm) jusqu'au mur. Si l'on utilise la position à 90°, l'accès au plateau est maintenu mais son retrait est restreint.

Voyez l'illustration à la page 22 pour déterminer l'impact de l'ouverture de porte sur les armoires ou les comptoirs adjacents.

### Ouverture de porte à 115°





# Guide de conception – Installation en acier inoxydable

## Principes de base de la personnalisation:

L'unité est livrée avec la poignée en acier inoxydable dessus. Des kits de poignées en option sont disponibles.

### Kits d'accessoires de poignée

CXSB2H2PPBT - Acier inoxydable noir brossé

CXSB2H2PPBZ - Bronze véritable brossé

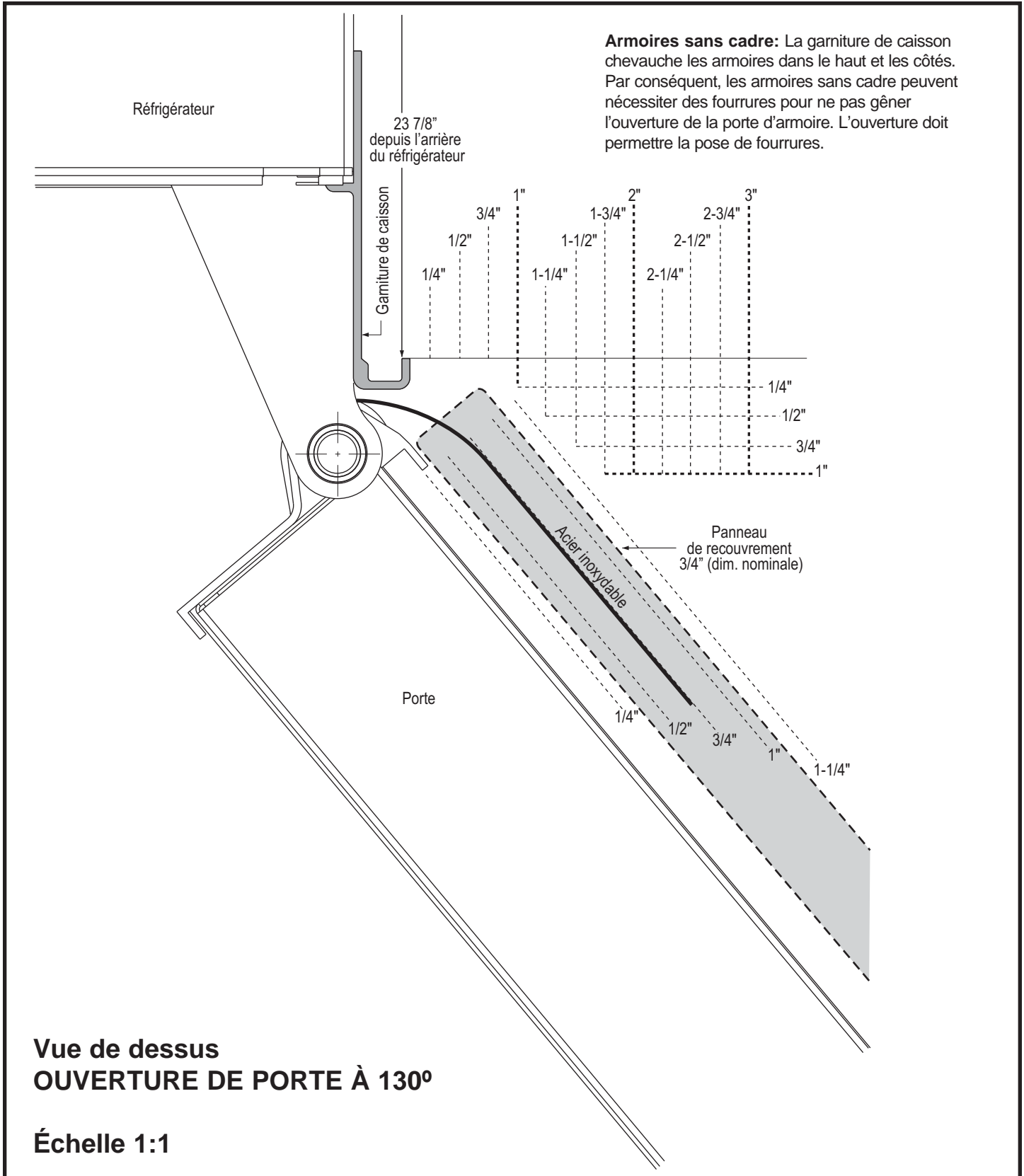
CXSB2H2PPCU - Vrai cuivre brossé

\*Poignées en option - Lors de la commande de ce produit, assurez-vous d'utiliser le numéro de modèle associé à la poignée choisie.

## EMPLACEMENT DU RÉFRIGÉRATEUR

- N'installez pas le réfrigérateur à un endroit où la température peut descendre en dessous de 55 °F (13 °C). L'appareil ne fonctionnera pas suffisamment souvent pour maintenir les températures appropriées.
- N'installez pas le réfrigérateur/congélateur à un endroit où la température monter au-delà de 100 °F (37 °C). L'appareil ne fonctionnera pas correctement.
- N'installez pas le réfrigérateur dans un endroit exposé à l'eau (pluie, etc.) ou aux rayons directs du soleil.
- À cet endroit, le plancher doit pouvoir supporter le poids du réfrigérateur pleinement chargé.

# Guide de conception – Installation en acier inoxydable



# Instructions d'installation - Installation en acier inoxydable

## OUTILS REQUIS

- Cisaille pour couper le cerclage
- Escabeau
- Seau
- Niveau
- Diable pour électroménagers
- Coupe-tuyau
- Clé ouverte 7/16 po
- Tournevis à tête cruciforme no 2
- Perceuse et forets appropriés
- Douille 5/16, 7/16 po
- Lunettes de protection
- Clé ouverte 1 1/4 po
- Pince
- Cliquet 1/4 po

## QUINCAILLERIE FOURNIE

- Bouchon de dérivation de filtre
- Ferrures antibasculement
- Écrou et bague 1/4 po

## MATÉRIEL REQUIS

- Support antibasculement 2x4, 35 po long
- Tuyau de cuivre 1/4 po pour conduite d'eau ou trousse SmartConnect™ pour réfrigérateur
- Robinet de sectionnement
- Panneaux personnalisés, panneaux de tiroir congélateur et de grille
- Vis pour fixer le réfrigérateur aux armoires
- Ruban autoagrippant adhésif pour panneaux latéraux 1/4 po (0,63 cm)

## PLANCHER

Une installation correcte exige que le réfrigérateur soit placé sur la surface d'un matériau dur de niveau et de la même hauteur que le reste du plancher. Cette surface doit être suffisamment robuste pour supporter un réfrigérateur pleinement chargé, ou environ 1200 lb. (544,31 kg)

**REMARQUE:** Protégez le fini du plancher. Découpez une grande section de carton et placez-la sous le réfrigérateur à l'endroit où vous travaillez.

## MISE À LA TERRE DU RÉFRIGÉRATEUR

### **AVERTISSEMENT**



### **Risque de choc électrique.**

Le non-respect de ces instructions peut entraîner des risques d'incendies, des chocs électriques ou la mort.

Le cordon d'alimentation de cet appareil est équipé d'une fiche à trois broches (pour une mise à la terre) qui s'adapte à la prise de courant standard à 3 broches (pour une mise à la terre) pour minimiser les risques de chocs électriques par cet appareil.

Faites vérifier la prise murale et le circuit électrique par un électricien qualifié pour s'assurer que le système est correctement mis à la terre.

Dans le cas d'une prise biphasée, l'installateur a la responsabilité et l'obligation de la remplacer par une prise triphasée correctement mise à la terre.

**NE COUPEZ PAS OU N'ENLEVEZ PAS, SOUS AUCUN PRÉTEXTE, LA TROISIÈME BROCHE DE MISE À LA TERRE DU CORDON D'ALIMENTATION.**

**N'UTILISEZ PAS D'ADAPTATEUR POUR BRANCHER LE RÉFRIGÉRATEUR À UNE PRISE BIPHASÉE.**

**N'UTILISEZ PAS DE RALLONGE AVEC CET APPAREIL.**

# Instructions d'installation - Installation en acier inoxydable

## ÉTAPE 1 RETRAIT DE L'EMBALLAGE

### ⚠ AVERTISSEMENT



#### Risque de basculement

Le réfrigérateur est beaucoup plus lourd en haut qu'en bas. Il faut être prudent lors des déplacements. Si un diable est utilisé, il faut soulever le réfrigérateur sur le côté seulement.

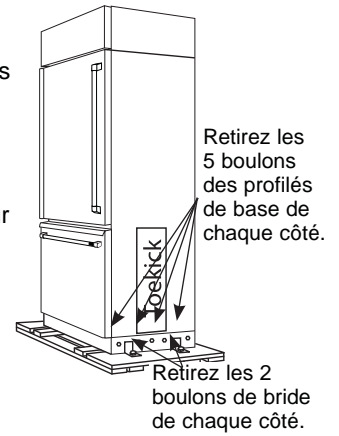
- Couper avec précaution le cerclage dans le haut et le bas, retirez le carton extérieur.
- Retirez les montants d'angle arrière (2) en les glissant.
- En le glissant, retirez le carton du haut de l'appareil.

**REMARQUE : IL N'EST PAS NÉCESSAIRE DE DÉPOSER L'APPAREIL POUR RETIRER LE PATIN!**

- L'appareil est fixé sur le patin à l'aide de 4 brides d'arrimage à fente. Retirez les six boulons 7/16 po des profilés de base dans les brides.
- Retirez les six boulons 7/16 po qui fixent les brides sur le patin.

**REMARQUE : NE TENTEZ PAS DE ROULER L'APPAREIL HORS DU PATIN.**

- Les blocs de support dans le bas du compartiment de réfrigération doivent être retirés avant que le réfrigérateur puisse être dégagé du patin, sinon il y a risque d'endommagement. Penchez avec précaution le réfrigérateur et glissez les blocs vers l'extérieur depuis le dessous.
- Retirez le coup-de-pied et mettez-le de côté pour l'installation finale.
- Soulevez le réfrigérateur du patin à l'aide d'un diable pour électroménager. Manipulez depuis les côtés.



# Instructions d'installation - Installation en acier inoxydable

## ÉTAPE 2 INSTALLER LA CONDUITE D'EAU

### ⚠ AVERTISSEMENT

Raccordez l'appareil à une alimentation d'eau potable seulement. Une alimentation d'eau froide est requise pour faire fonctionner la machine à glaçons et le pichet à remplissage automatique. La pression d'eau doit se situer entre 40 et 120 psi. (275 à 827 kPa).

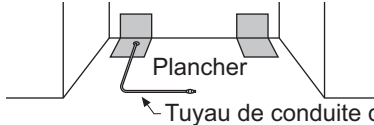
### ⚠ AVERTISSEMENT



### RISQUE DE DÉCHARGE ÉLECTRIQUE

Fixez le collier de serrage dans le trou présent seulement. NE PERCEZ PAS dans le réfrigérateur.

- Une alimentation d'eau froide est requise pour faire fonctionner la machine à glaçons automatique. La pression d'eau doit se situer entre 40 et 120 psi (275 à 827 kPa).
- Acheminez le tuyau de cuivre 1/4 po (D.E.) ou le tuyau plastique SmartConnect™ entre la conduite d'eau froide du domicile et le raccord d'eau.
- Le tuyau doit être suffisamment long pour atteindre le devant de l'appareil. Prévoyez une longueur de tuyau suffisante pour la courbe menant au raccord de la conduite d'eau.



**REMARQUE:** Les seuls tuyaux en plastique approuvés par Cafe sont ceux inclus dans les trousse de tuyaux pour réfrigérateur SmartConnect™. N'utilisez pas d'autres tuyaux d'alimentation d'eau en plastique car ils seront sous pression constamment. D'autres types de plastique peuvent se fissurer

ou se rompre avec le temps et occasionner des dégâts d'eau dans votre domicile.

Les trousse de tuyau pour réfrigérateur SmartConnect™ sont offertes dans les longueurs suivantes :

2' (.6 m) - WX08X10002

8' (2.4 m) - WX08X10006

15' (4.6 m) - WX08X1 0015

25' (7.6 m) - WX08X10025

Fermez l'alimentation d'eau principale.

Ouvrez le robinet le plus près suffisamment longtemps pour nettoyer la conduite d'eau.

- Installez un robinet de sectionnement entre le robinet d'eau de la machine à glaçons et le tuyau d'eau froide dans le sous-sol ou une armoire. Le robinet de sectionnement doit être situé à un endroit aisément accessible.
- Ouvrez l'alimentation d'eau principale et rincez les débris. Faites couler environ un litre d'eau à travers le tuyau aboutissant dans un seau. Coupez l'alimentation d'eau au robinet de sectionnement.

**REMARQUE :** Des robinet de sectionnement à étrier sont inclus dans plusieurs trousse d'alimentation d'eau, mais ils ne sont pas recommandés pour cette application.

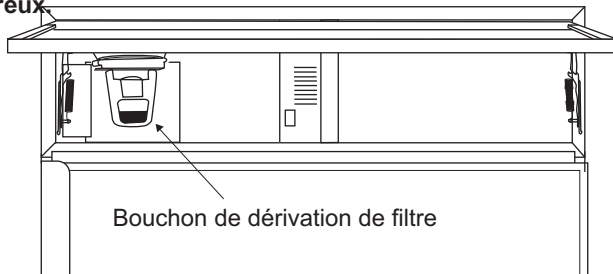
**REMARQUE :** Les codes de plomberie 248CMR du Commonwealth du Massachusetts doivent être satisfaits. Les robinets à étrier sont illégaux et leur utilisation prohibée dans le Massachusetts. Consultez votre plombier agréé.

# Instructions d'installation - Installation en acier inoxydable

## ÉTAPE 2A INSTALLATION DE LA CONDUITE D'EAU AVEC SYSTÈME D'OSMOSE INVERSE OU AUTRE SYSTÈME DE FILTRATION DOMESTIQUE

Passez cette étape si vous n'utilisez pas de système d'osmose inverse ou de système de filtration domestique

Si l'alimentation en eau de votre réfrigérateur provient du système de filtration domestique, utilisez le bouchon de dérivation de filtre du réfrigérateur. L'utilisation de la cartouche de filtrage d'eau du réfrigérateur avec un système d'osmose inverse peut produire des glaçons creux.



## ÉTAPE 3 INSTALLER LES PANNEAUX LATÉRAUX

Sautez cette étape si vous n'utilisez pas de panneaux latéraux. Si vous utilisez des panneaux latéraux 1/4 po (0,63 cm), il faut les insérer dans la garniture de caisson. Fixez les panneaux sur le réfrigérateur à l'aide de ruban autoagrippant adhésif avant de mettre le réfrigérateur en place.

## STEP 4 DISPOSITIF ANTIBASCULEMENT

### ⚠ WARNING



**Risque de basculement** Ces réfrigérateurs présentent une partie supérieure lourde, en particulier avec une porte ouverte; ils doivent donc être fixés pour prévenir le basculement vers l'avant et le risque concomitant de blessure grave ou fatale. Lisez et suivez les instructions d'installation complètes pour l'installation du système anti-basculement.

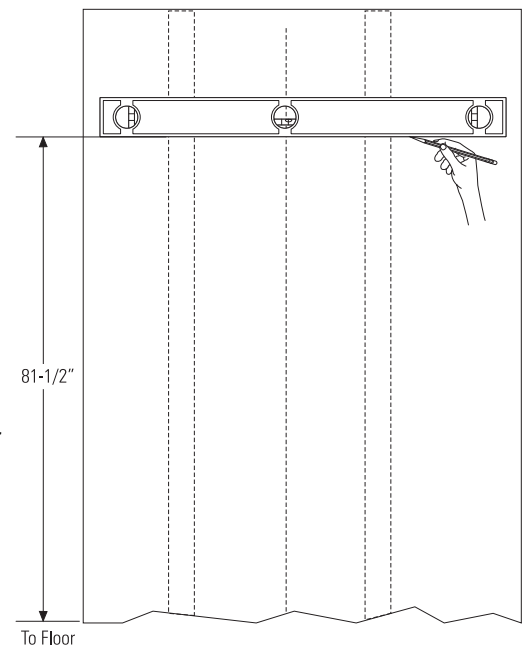
- La trousse fournie avec l'appareil contient 2 tirefonds et 4 orifices filetés à ailettes avec boulons. Le support mural sera fixé au mur à 4 endroits.

- Mesurez l'ouverture où l'appareil sera installé. Marquez une ligne verticale au centre.

- Mesurez 81 1/2 po (207,01 cm) depuis le plancher. Marquez ce point sur le mur.

- À l'aide d'un niveau, tracez une ligne horizontale sur le mur à cette hauteur.

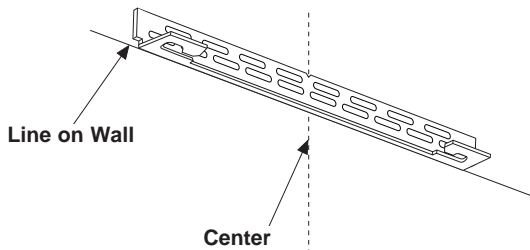
- Repérez au moins 2 montants sur le mur arrière. Marquez ces points sur la ligne horizontale.



# Instructions d'installation - Installation en acier inoxydable

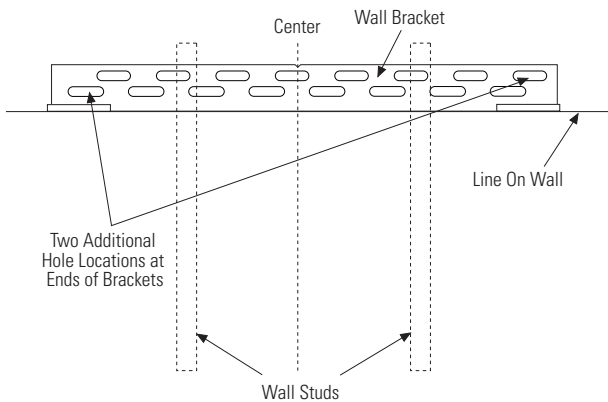
## STEP 4 DISPOSITIF ANTI-BASCULE (suite)

- Placez le bas du support mural avec ses languettes sur la ligne horizontale. Alignez l'encoche centrale du support sur la ligne de centre sur le mur.
- Le support mural antibasculé est doté d'une série de trous. Identifiez 2 trous vis-à-vis les montants repérés.



Assurez-vous que les trous identifiés se situent au centre des montants. Marquez ces points sur le mur.

- Marquez un trou supplémentaire à chaque extrémité du support. Si l'un des montants se trouve plus près de l'extrémité du support, marquez un trou supplémentaire vers le centre.
- Percez des trous de 1/2 po (1,27 cm) dans le panneau mural aux marques des points de montage des orifices à ailettes (et



non aux marques des montants muraux).

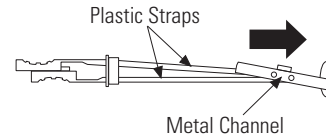
- Percez des trous 3/16 po (0,47 cm) dans les montants en bois aux marques. Si les montants sont en métal, percez des trous de 1/2 po dans les montants aux marques. Vous utiliserez 2 orifices à ailettes pour boulons avec les montants métalliques.

### Posez les orifices à ailettes:

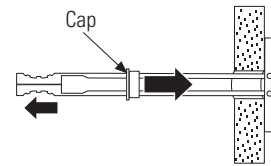
Pour se procurer les orifices à ailettes avec leurs boulons, on peut commander la trousse de réparation no WR49X10193. Les orifices à ailettes sont posés dans la cloison sèche et les montants métalliques à des fins de stabilité. Posez les orifices à ailettes comme suit :

- Percez des trous de 1/2 po (1,27 cm) aux marques faites dans les trous aux extrémités du support mural.

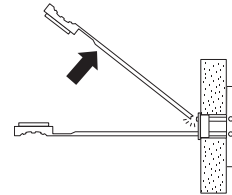
- Tenez le profilé métallique à plat contre les bandes en plastique et glissez le profilé dans le trou.



- Tirez délicatement les extrémités des bandes en plastique pour appuyer le profilé à plat derrière le mur.
- Tenez les extrémités des bandes avec une main et glissez le capuchon en plastique le long des bandes jusqu'à ce que le rebord du capuchon soit à égalité avec le mur.

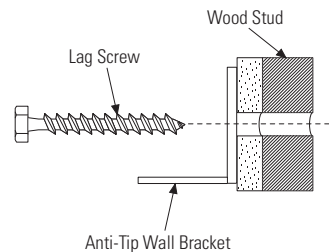


- Placez votre pouce entre les bandes en plastique et pliez vers le haut et le bas pour sectionner les bandes hors du mur.

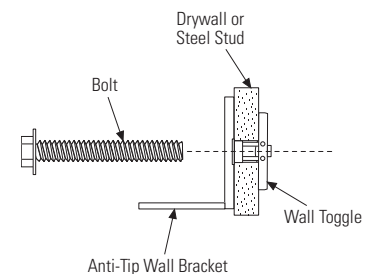


### Poser les vis et les boulons :

- Demandez à une personne de tenir le support mural centré et bien en place, chaque trou aligné sur la fente appropriée du support, de niveau avec la ligne horizontale.



- Insérez les tirefonds à travers le support et le montant. Serrez avec une clé.



# Instructions d'installation - Installation en acier inoxydable

## ÉTAPE 4 DISPOSITIF ANTIBASCULEMENT (suite)

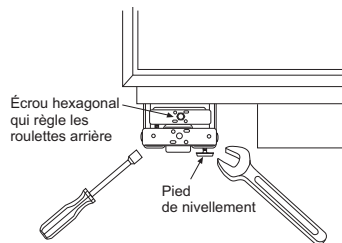
### Brancher le cordon d'alimentation :

- Avant de pousser le réfrigérateur dans l'ouverture, branchez le cordon électrique dans la prise. Ouvrez le panneau de grille sur la gauche et prenez le cordon électrique à l'arrière de l'ouverture. Tirez le cordon dans l'ouverture à mesure que vous repoussez le réfrigérateur.
- Poussez avec soin le réfrigérateur dans l'ouverture avec les mains sur les coins frontaux. against front corners.

## ÉTAPE 5 METTRE LE RÉFRIGÉRATEUR DE NIVEAU

Tous les modèles sont dotés de 4 points de nivellement. Le devant est supporté par des pieds de nivellement; l'arrière par des roulettes réglables. Les deux types sont accessibles depuis le devant du réfrigérateur.

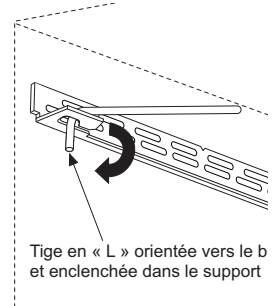
- Pour niveler l'arrière du réfrigérateur, tournez l'écrou hexagonal 7/16 po situé au dessus des roulettes avant. Tournez dans le sens des aiguilles pour lever l'appareil, dans le sens inverse pour le baisser.
- Pour niveler le devant, utilisez une clé ouverte 1 1/4 po (3,175 cm).
- Ajustez la hauteur du réfrigérateur pour l'adapter à l'ouverture de 83 1/2 po (212,09 cm) à 84 1/2 po (214,63 cm). Le réfrigérateur doit être de niveau et aplombé aux armoires.



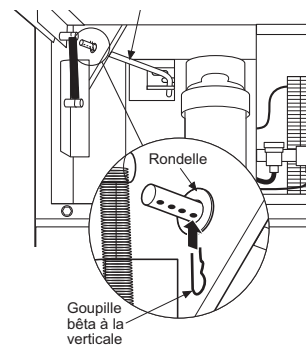
**NOTICE:** Les roulettes de nivellement arrière et les pieds de nivellement avant sont limités à une hauteur de réglage maximale de 1 po. Si l'installation exige une hauteur supérieure à 84 1/2 po, l'installateur doit surélever l'appareil sur une feuille de contreplaqué ou des rails. On peut aussi ajouter une garniture d'armoire dans le haut de l'ouverture pour raccourcir celle-ci. Une tentative de lever le réfrigérateur de plus de 1 po (2,54 cm) endommagera les pieds de nivellement avant et les roulettes de nivellement arrière.

## ÉTAPE 6 FIXER L'APPAREIL AU MUR

- La tige en « L » se trouve dans le coin supérieur gauche de l'appareil dans le compartiment d'accès. Regardez dans le compartiment d'accès pour vous assurer que la tige s'aligne sur le support antibasculement.
- Deux rondelles et une goupille bêta accompagnent la tige. Retirez les rondelles et la goupille de l'extrémité de la tige.
- Tournez et déplacez la tige en « L » dans la fente de la languette du support antibasculement. Une fois dans la fente, tournez la tige en « L » de façon que son crochet pointe vers le bas. Les trous à l'extrémité avant de la tige doivent être en position verticale.



- Tirez sur l'extrémité de la tige pour vous assurer qu'elle est bien fixée dans le support
  - Repérez le trou dans la tige qui se trouve au plus près de l'appareil. Une goupille bêta sera insérée dans ce trou pour verrouiller la tige. Si ce trou semble trop loin pour assurer un bon ajustement contre l'appareil, ajoutez une rondelle à la fois jusqu'à ce que la goupille soit bien ajustée dans le trou.
  - Alignez la section droite de la goupille sur le trou du dessous de la tige. Poussez la goupille vers le haut jusqu'à ce qu'elle s'enclenche en position. Une pince peut être utilisée.
- REMARQUE :** La goupille bêta doit être verticale une fois cette étape achevée pour s'assurer que la tige en « L » est bien enclenchée dans le support.
- Vérifiez le bon ajustement de la tige en la tirant vers l'avant. Si elle bouge, retirez la goupille bêta et placez une autre rondelle sur la tige. Réinsérez la goupille.



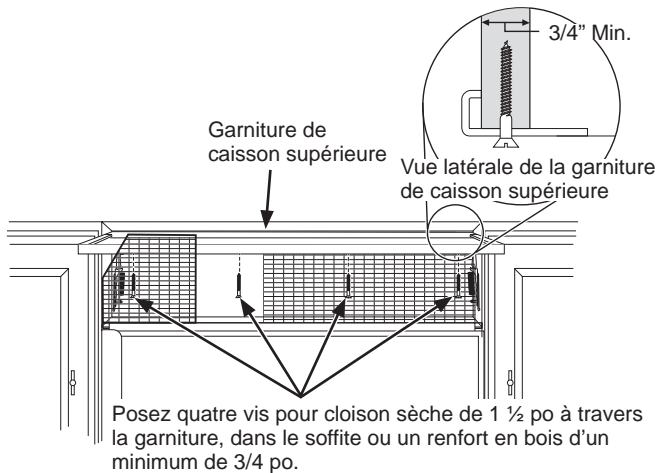


# Installation Instructions - Stainless Steel Installation

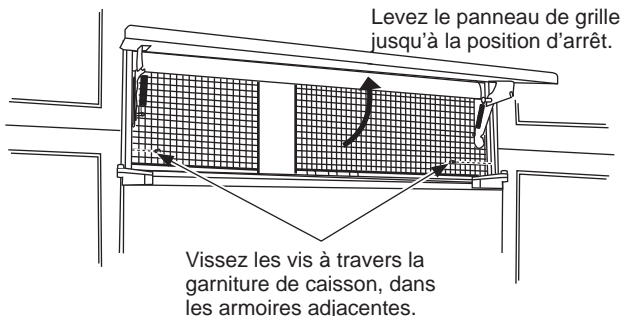
## ÉTAPE 7 AUTRES DISPOSITIFS ANTIBASCULEMENT

Le réfrigérateur doit être fixé afin de prévenir le basculement. S'il est impossible d'utiliser le support antibasculement, on peut recourir à cette autre méthode pour empêcher le réfrigérateur de basculer.

- Soulevez le panneau de grille pour accéder à la garniture de caisson.
- Utilisez un foret 3/16 po pour percer quatre trous de dégagement uniformément espacés à travers la garniture de caisson supérieure.



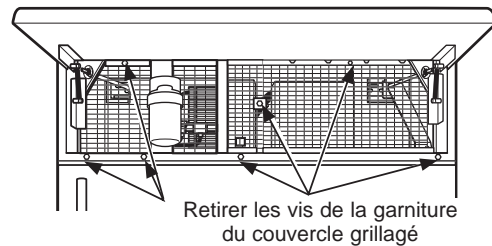
- Utilisez un foret 1/16 po pour percer des trous de guidage à travers les trous de dégagement métalliques, dans le soffite en bois. Les trous doivent être centrés dans le soffite ou un renfort en bois d'un minimum de 3/4 po. Le renfort sur la largeur de l'ouverture doit être fixé solidement dans les armoires des deux côtés.
- Posez quatre vis pour cloison sèche de 1 1/2 po (3,81 cm) dans les trous de guidage.
- En l'absence de soffite au dessus de l'appareil, vissez des vis dans les armoires adjacentes, à travers la garniture de caisson latérale.



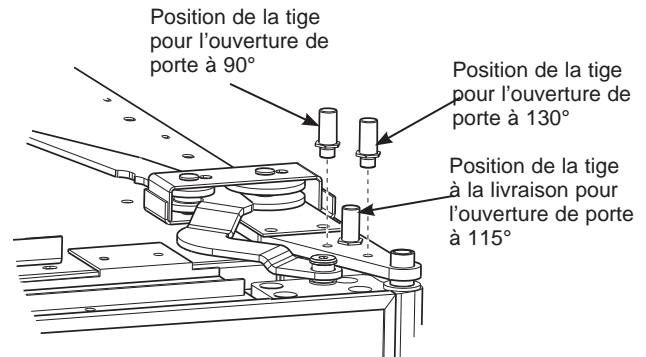
## ÉTAPE 8 AJUSTER L'OUVERTURE DE PORTE

**REMARQUE:** Ce réfrigérateur est doté d'une butée de porte à 3 positions. Lorsque l'espace est insuffisant pour une ouverture de porte complète à 115°, on peut ramener l'ouverture à 90°. Une ouverture à 130° est offerte pour l'installation standard seulement. Si elle est utilisée pour une installation affleurante, les panneaux en bois seront endommagés. Sautez cette étape si l'ouverture de porte est satisfaisante pour votre installation.

- Soulevez le panneau de grille pour accéder à la garniture du couvercle grillagé.
- Retirez les vis des deux côtés de la garniture du couvercle grillagé et faites pivoter pour dégager.



- Utilisez une pince pour dévisser la butée de porte puis réinstallez à la position 90° ou 130° (pour l'installation standard).
- Réinstallez la garniture de couvercle grillagé.



## ÉTAPE 9 RACCORDEMENT DE L'ALIMENTATION D'EAU

**⚠ AVERTISSEMENT** Raccordez l'appareil à une alimentation d'eau potable seulement. Une alimentation d'eau froide est requise pour faire fonctionner la machine à glaçons et le pichet à remplissage automatique. La pression d'eau doit se situer entre 40 et 120 psi. (275 à 827 kPa).

**⚠ AVERTISSEMENT**  RISQUE DE DÉCHARGE ÉLECTRIQUE

Fixez le collier de serrage dans le trou présent seulement. NE PERCEZ PAS dans le réfrigérateur.

- Repérez et acheminez le tuyau à l'avant de l'armoire.

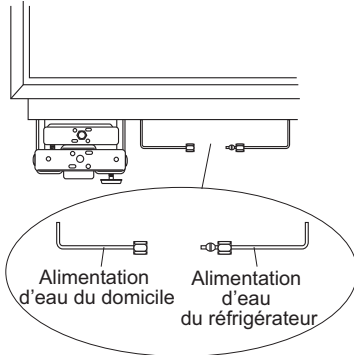
# Installation Instructions - Stainless Steel Installation

## ÉTAPE 9 RACCORDEMENT DE L'ALIMENTATION D'EAU (suite)

- Ouvrez l'alimentation d'eau pour rincer les débris de la conduite. Faites couler environ un litre d'eau à travers le tuyau aboutissant dans un seau, puis fermez l'alimentation d'eau.

Tuyau de cuivre :

- Enfilez un écrou 1/4 po et une bague d'extrémité (fournis) aux deux bouts du tuyau de cuivre. Insérez le tuyau dans le raccord union sur l'appareil et serrez l'écrou sur le raccord union.
- Ouvrez l'alimentation d'eau pour vérifier l'absence de fuites.



Tuyau SmartConnect™ :

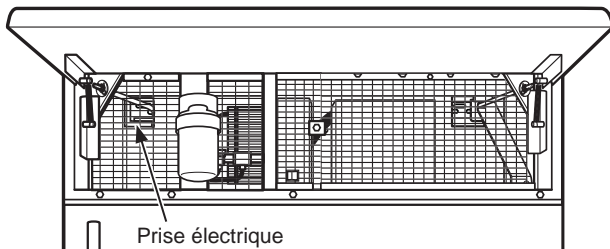
REMARQUE : Les seuls tuyaux en plastique approuvés par Cafe sont ceux inclus dans les trousse de tuyaux pour réfrigérateur SmartConnect™. N'utilisez pas d'autres tuyaux d'alimentation d'eau en plastique car ils seront sous pression constamment. D'autres types de plastique peuvent se fissurer ou se rompre avec le temps et occasionner des dégâts d'eau dans votre domicile.

- Insérez l'extrémité moulée du tube dans le raccord du réfrigérateur. Serrez l'écrou à compression à la main.
- Serrez ensuite d'un tour supplémentaire avec une clé. Un serrage excessif peut causer des fuites!
- Ouvrez l'alimentation d'eau pour vérifier l'absence de fuites.

REMARQUE : Assurez-vous que la longueur de tuyau excédentaire ne gêne pas la fermeture du tiroir ou l'installation du coup-de-pied.

## ÉTAPE 10 BRANCHER L'ALIMENTATION ÉLECTRIQUE

- Assurez-vous que le cordon électrique est branché dans la prise.



- Assurez-vous que l'électricité alimente le réfrigérateur en ouvrant la porte pour voir si les lampes sont allumées.
- Les commandes de température sont pré-réglées à 37 °F (2,78 °C) pour le compartiment réfrigérateur et 0 °F (-17,78 °C) pour le congélateur.
- Allouez 24 heures pour stabiliser la température avant de faire des réglages.

## ÉTAPE 11 DÉMARRER LA MACHINE À GLAÇONS

### ⚠ AVERTISSEMENT

Raccordez l'appareil à une alimentation d'eau potable seulement. Une alimentation d'eau froide est requise pour faire fonctionner la machine à glaçons et le pichet à remplissage automatique. La pression d'eau doit se situer entre 40 et 120 psi. (275 à 827 kPa).

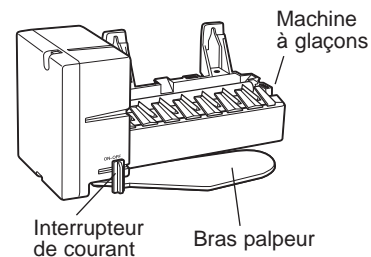
### ⚠ AVERTISSEMENT



### RISQUE DE DÉCHARGE ÉLECTRIQUE

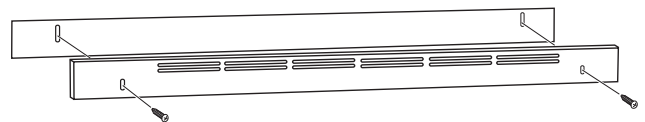
Fixez le collier de serrage dans le trou présent seulement. NE PERCEZ PAS dans le réfrigérateur.

- La machine à glaçons commencera à fonctionner automatiquement.
- Assurez-vous que rien ne gêne le mouvement du bras palpeur.
- Jetez le premier seau plein de glaçons.
- Pour mettre la machine à glaçons hors tension, glissez l'interrupteur à la position O (OFF).



## ÉTAPE 12 INSTALLER LE COUP-DE-PIED

- Repérez les coups-de-pied fournis (fixés au côté du réfrigérateur à la livraison). Installer l'assemblage du coup-de-pied à l'aide des 2 vis fournies, ajustez à la hauteur désirée et serrez les vis.



**IMPORTANT:** On peut installer un coup-de-pied personnalisé pour s'agencer avec les armoires environnantes mais il ne peut PAS recouvrir les orifices de ventilation horizontaux du coup-de-pied installé à l'usine.

# Notes

---

C A F É

---

DISTINCT BY DESIGN™

**REMARQUE:** Lors des installations décrites dans ce manuel, des lunettes de sécurité ou des lunettes doivent être portées.

**REMARQUE:** l'amélioration du produit est un effort continu Appareils électroménagers Cafe. Par conséquent, les matériaux, l'apparence et les spécifications peuvent être modifiés sans préavis.

# CAFÉ

DISTINCT BY DESIGN™

## Instrucciones de Instalación

## Refrigeradores con congelador inferior empotrados de 36" - CDB36

Si tiene preguntas, visite nuestro sitio web en: [cafeappliances.com](http://cafeappliances.com). • En Canadá, visite: [cafeappliances.ca](http://cafeappliances.ca)

### ANTES DE COMENZAR

Lea estas instrucciones en su totalidad y atentamente.

- **IMPORTANTE** – Conserve estas instrucciones para uso del inspector local. Cumpla con todos los códigos y ordenanzas gubernamentales.
- **Nota para el Instalador** – Asegúrese de entregarle estas instrucciones al Comprador.
- **Nota para el Consumidor** – Guarde estas instrucciones con su Manual del Propietario para referencia futura.

Si la unidad que recibió está dañada, se deberá comunicar de inmediato con su vendedor o fabricante.

**Nivel de habilidad** – La instalación de esta unidad requiere un nivel básico de habilidades mecánicas, de carpintería y plomería. La correcta instalación del producto es responsabilidad del instalador. Si se producen fallas en el producto debido a una instalación inadecuada, la Garantía de Cafe no cubrirá las mismas. Para obtener información sobre la garantía, consulte el Manual del Propietario.

### **⚠ ADVERTENCIA** Riesgo de Descarga Eléctrica

Enchufe en un tomacorriente con conexión a tierra de 3 cables.

No elimine el cable de conexión a tierra.

No use un adaptador.

Inmediatamente interrumpa el uso de un cable de suministro de corriente dañado. Si el cable de corriente se encuentra dañado, su reemplazo deberá ser realizado por un profesional calificado del servicio técnico, utilizando una pieza del servicio técnico autorizada por el fabricante.

No use prolongadores con este electrodoméstico.

Si no se siguen estas instrucciones, se podrá producir la muerte, incendios o descargas eléctricas.

Siga las instrucciones que figuran en la sección de Conexión de Tierra de la unidad.

Este electrodoméstico deberá ser instalado por algún medio en el cableado fijo del hogar o en un disyuntor para desconectar el electrodoméstico del suministro eléctrico luego de la instalación.

### **⚠ ADVERTENCIA** Riesgo de Caídas

Estos electrodomésticos son inestables, especialmente cuando una puerta se encuentre abierta, y deben estar asegurados a fin de evitar caídas hacia adelante que podrían resultar en la muerte o en lesiones graves. Lea y siga las instrucciones de instalación en su totalidad para asegurar el electrodoméstico con el sistema anti volcaduras.

### **⚠ ADVERTENCIA** Peligro de Incendio o Explosión

Mantenga cualquier material y vapores inflamables alejados del electrodoméstico. Si no se cumple con esto, se podrá producir una explosión, un incendio o la muerte.

**⚠ ADVERTENCIA** A fin de reducir el riesgo asociado con descargas, no permita que los niños menores de 3 años de edad tengan acceso a las partes pequeñas durante la instalación de este producto.

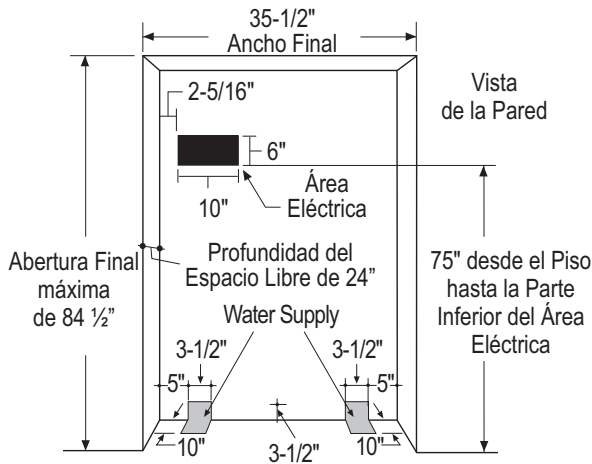
### **⚠ PRECAUCIÓN** Riesgo al levantar la puerta

Este refrigerador es muy pesado. A fin de reducir el riesgo de lesiones personales durante la maniobra e instalación de este refrigerador, se requiere contar con 3 personas para una correcta instalación del modelo de 36" de ancho y con 4 personas para una correcta instalación del modelo de 42" o 48".

**⚠ PRECAUCIÓN** Mantenga los dedos fuera de los espacios de "riesgo de lastimaduras"; los espacios entre las puertas y entre las puertas y el gabinete son necesariamente pequeños. Tenga el cuidado de cerrar las puertas cuando se encuentren niños en el área.

# Guía de Diseño - Instalación de Acero Inoxidable

## EL ESPACIO DE INSTALACIÓN



### Ubicaciones de Agua y Electricidad

Los suministros eléctricos y de agua deberán ser ubicados como se muestra.

La Profundidad del Recorte Deberá Ser de 24" (60.96 cm)  
El refrigerador se inclinará hacia adelante, levemente más allá del gabinete adyacente, dependiendo de su instalación. Deje un espacio mínimo de 1/8" (0.32 cm) de aire entre la parte trasera de la carcasa y la pared.

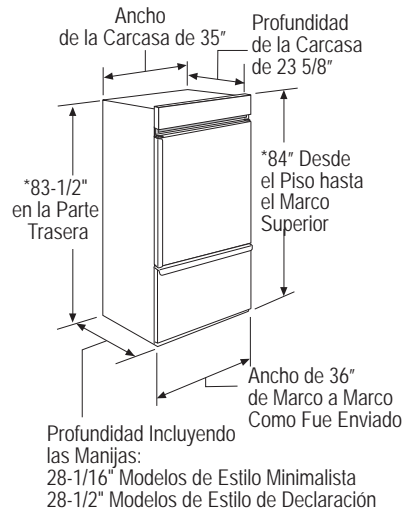
Profundidad del espacio libre debajo de un sofito:

Cuando se instale debajo de un sofito, este último no podrá exceder la profundidad de instalación de 24" (60.96 cm) mostrada. El marco de la carcasa superior se superpone con la parte inferior del sofito.

Especificaciones adicionales

- Se requiere un suministro de corriente de 115 voltios, 60Hz., y 15 o 20 amperes. Se recomienda el uso de un circuito individual derivado o un disyuntor correctamente conectado a tierra. Instale un receptáculo eléctrico de 3 patas correctamente conectado a tierra en la pared trasera. El receptáculo eléctrico deberá estar ubicado en la pared trasera como se muestra.
- El suministro de agua puede ingresar a la abertura a través del piso o la pared trasera. Haga circular el kit de SmartConnect™ o una tubería de cobre con un diámetro externo de 1/4" entre la tubería de agua fría y la ubicación de la conexión de agua. La tubería deberá poseer una extensión suficiente como para llegar hasta el frente del refrigerador. Se requiere la instalación de una válvula de cierre fácilmente accesible en la tubería de agua.

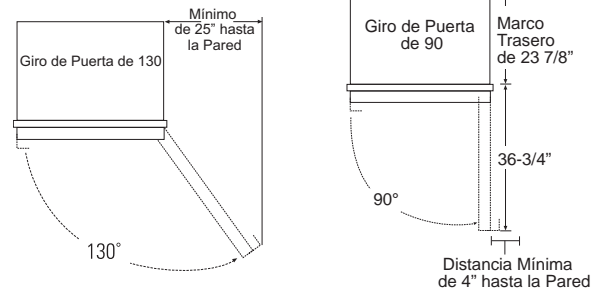
## DIMENSIONES Y ESPACIOS LIBRES



\*Altura del embalaje. El refrigerador puede ser ajustado para caber en un espacio libre de una altura máxima de 84 1/2" (214.63 cm). Se debe observar que el marco de la carcasa superior es 1/2" (1.27 cm) más alto en su parte superior y se superpondrá con los gabinetes o el sofito superior. Use las patas niveladoras y las ruedas para un ajuste de altura máxima de 1" (2.54 cm).

### Espacios Libres del Producto

Estos refrigeradores están equipados con un dispositivo de detención de la puerta de 3 posiciones. El giro de la puerta de 115° original de fábrica se podrá ajustar a 90° si el espacio libre hasta los gabinetes adyacentes o las paredes es restringido.

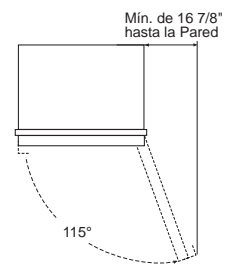


Cuente con un espacio libre mínimo de 23 7/8" (60.64 cm) para un giro de puerta completo de 130°. Deje 15" (38.1 cm) para el retiro de bandejas.

Para un giro de puerta de 90°, deje un espacio libre mínimo de 4 9/16" (11.59 cm) hasta una pared. Si se usa la detención de puerta en 90°, se mantendrá el acceso a las bandejas pero su retiro estará restringido.

Consulte la ilustración en la página 22 para determinar la interacción del balanceo de la puerta con los gabinetes o mesadas adyacentes.

### Giro de Puerta de 115



# Guía de Diseño - Instalación de Acero Inoxidable

## FUNDAMENTOS DE PERSONALIZACIÓN:

La unidad viene con el mango de acero inoxidable.  
Hay kits de mangos opcionales disponibles.

### Kits de accesorios para mangos

CXSB2H2PPBT - Negro cepillado inoxidable

CXSB2H2PPBZ - Verdadero bronce cepillado

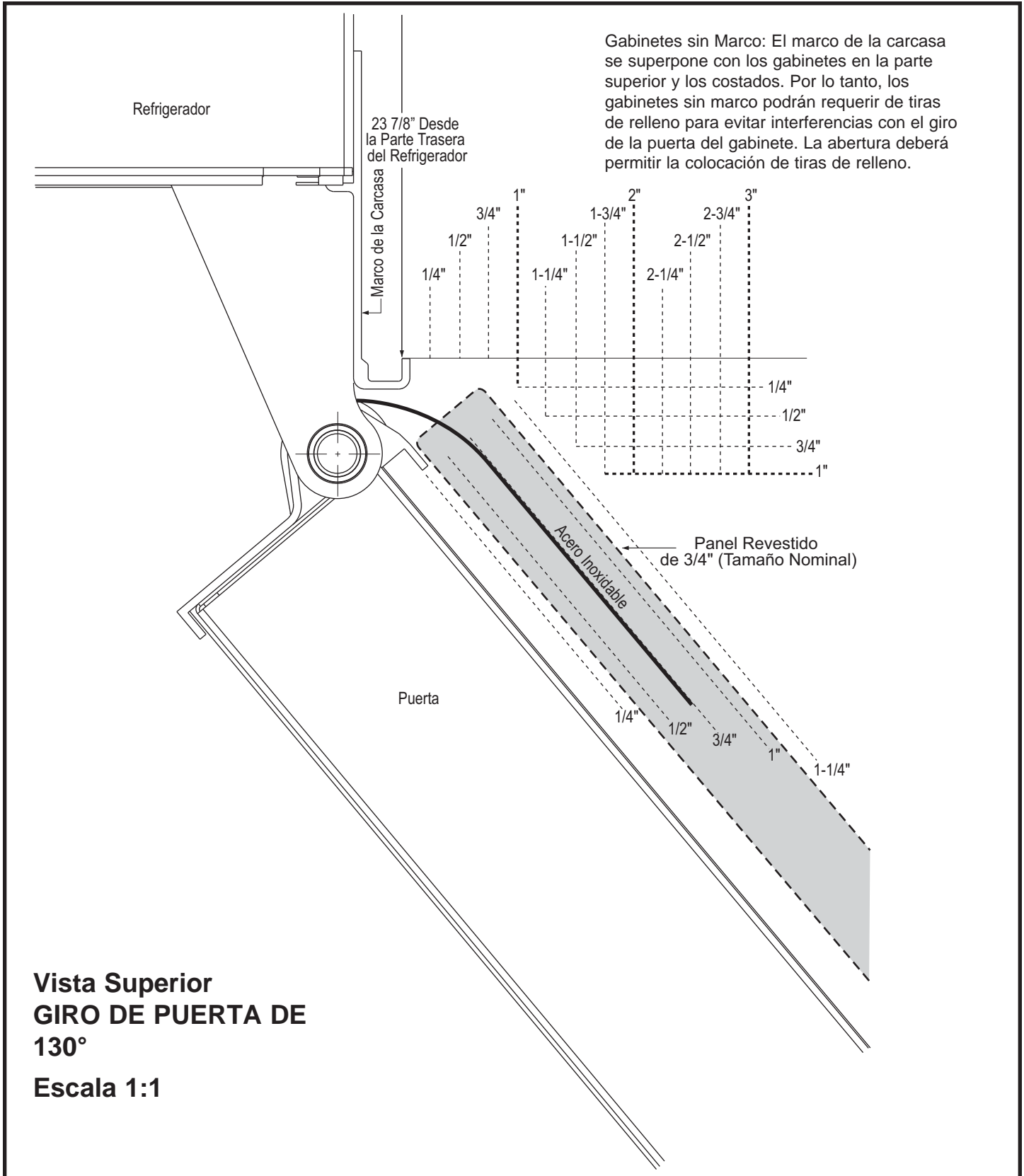
CXSB2H2PPCU - Cobre cepillado verdadero

\*Mangos opcionales - cuando solicite este producto, asegúrese de utilizar el número de modelo asociado con el mango elegido.

## UBICACIÓN DEL REFRIGERADOR

- No instale el refrigerador en lugares donde la temperatura sea inferior a los 55°F (13°C). Éste no funcionará con la frecuencia suficiente como para mantener las temperaturas apropiadas.
- No instale el refrigerador en lugares donde la temperatura sea superior a los 100°F (37°C). Éste no funcionará correctamente.
- No instale el refrigerador en una ubicación expuesta al agua (lluvia, etc.) o en contacto directo con la luz solar.
- Instale el mismo en un piso lo suficientemente fuerte como para soportarlo completamente cargado.

# Guía de Diseño - Instalación de Acero Inoxidable





# Guía de Diseño - Instalación de Acero Inoxidable

## HERRAMIENTAS REQUERIDAS

- Tijeras cortachapa para cortar bandas
- Escalera de dos hojas
- Balde
- Nivel
- Carro Manual para Electrodomésticos
- Cortatubos
- Llave de tuercas de 7/16"
- Destornillador Phillips nº2
- Taladro y brocas apropiadas
- Enchufe de 5/16", 7/16"
- Gafas de seguridad
- Llave de tuercas de 1 ¼"
- Pinzas
- Trinquete de 1/4"

## MATERIALES SUMINISTRADOS

- Tapón del bypass del filtro de agua
- Soportes anti volcaduras
- Tuerca y abrazadera de refuerzo de 1/4"

## MATERIALES REQUERIDOS

- Soporte anti volcaduras de 2 x 4 de 35" de longitud
- Tubería de cobre para suministro de agua de ¼" o kits de Tuberías para Refrigerator SmartConnect™.
- Válvula de cierre de agua
- Paneles a medida para la puerta de comidas frescas, el cajón del freezer y el panel de rejilla.
- Tornillos para asegurar el refrigerador a los gabinetes.
- Cintas de ajuste de velcro para paneles laterales de 1/4" (0.63 cm)

## PISO

Para una instalación correcta, el refrigerador se deberá ubicar en una superficie nivelada de material duro que posea la misma altura en el resto del piso. Esta superficie deberá ser lo suficientemente fuerte como para resistir el peso de un refrigerador totalmente cargado o aproximadamente 1200 libras (544.31 kg).

NOTA: Proteja el acabado del piso. Corte una sección amplia de cartón y coloque la misma debajo del refrigerador donde se encuentra trabajando.

## CONEXIÓN A TIERRA DEL REFRIGERADOR

### ⚠ ADVERTENCIA



Riesgo de Descarga

### Eléctrica

Si no se siguen estas instrucciones, se podrá producir la muerte, incendios o descargas eléctricas.

El cable de corriente de este electrodoméstico cuenta con un enchufe de 3 cables (conexión a tierra) que se conecta a un tomacorriente de pared estándar de 3 cables (conexión a tierra) para minimizar el riesgo de posibles descargas eléctricas por parte del mismo.

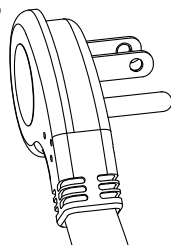
Contrate a un electricista calificado para que controle el tomacorriente y el circuito eléctrico, a fin de asegurar que el enchufe esté correctamente conectado a tierra.

En caso de contar con un tomacorriente de pared de 2 cables, es su responsabilidad y obligación reemplazarlo por un tomacorriente de pared de 3 cables correctamente conectado a tierra.

NUNCA, BAJO NINGUNA CIRCUNSTANCIA, CORTE NI ELIMINE EL TERCER CABLE (TIERRA) DEL CABLE DE CORRIENTE.

NO USE UN ENCHUFE ADAPTADOR PARA CONECTAR EL REFRIGERADOR A UN TOMACORRIENTE DE 2 PATAS.

NO USE UN PROLONGADOR CON ESTE ELECTRODOMÉSTICO.



# Guía de Diseño - Instalación de Acero Inoxidable

## PASO 1 RETIRE EL EMBALAJE

### ⚠ ADVERTENCIA



#### Riesgo de Caídas

El refrigerador es mucho más pesado en su parte superior que en su parte inferior – tenga cuidado al moverlo. Al usar un carro manual, sosténgalo de costado únicamente.

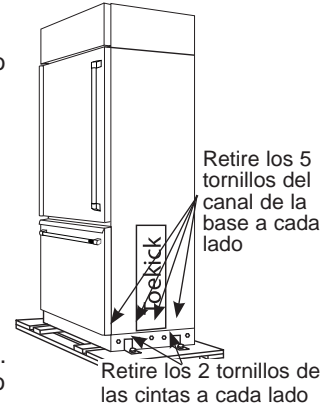
- De forma cuidadosa, corte las bandas en la parte superior e inferior, y retire el cartón externo.
- Deslice hacia afuera los postes de las esquinas traseras (2).
- Deslice el cartón fuera de la parte superior del gabinete.

**NOTA: ¡NO ES NECESARIO APOYAR EL GABINETE PARA RETIRAR EL ANTIDESLIZANTE!**

- La unidad se encuentra asegurada al antideslizante por 4 cintas de amarre ranuradas. Retire los seis tornillos de 7/16" de los canales de la base en los amarres.
- Retire los seis tornillos de 7/16" que aseguran las cintas al antideslizante.

**NOTA: NO INTENTE HACER RODAR LA UNIDAD FUERA DEL ANTIDESLIZANTE.**

- Los bloques de soporte de la parte inferior de la carcasa de refrigeración deberán ser retirados antes de que el refrigerador sea retirado del antideslizante, ya que de otro modo se podrán producir daños. De forma cuidadosa, incline el refrigerador y deslice los bloques hacia afuera desde abajo.
- Retire el zócalo y guarde el mismo para la instalación final.
- Levante el refrigerador fuera del antideslizante con un carro para electrodomésticos. Sostenga el electrodoméstico de los costados.



# Guía de Diseño - Instalación de Acero Inoxidable

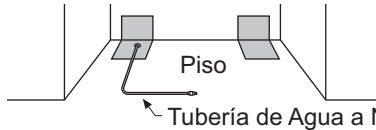
## PASO 2 INSTALE EL SUMINISTRO DE AGUA

**⚠ ADVERTENCIA** Realice la conexión a un suministro de agua potable únicamente. Se requiere un suministro de agua fría para el funcionamiento de la máquina de hielos automática y de la jarra de llenado automático. La presión del agua deberá estar entre 40 y 120 p.s.i. (275 – 827 kPa).

**⚠ ADVERTENCIA** PELIGRO DE DESCARGA ELÉCTRICA

Adhiera la abrazadera de la tubería usando el agujero existente únicamente. NO perforo el refrigerador.

- Se requiere un suministro de agua fría para el funcionamiento de la máquina de hielo automática. La presión del agua deberá ser de entre 40 y 120 p.s.i. (275-827 kPa).
- Haga circular una tubería de cobre con un diámetro externo de 1/4" o una tubería de plástico SmartConnect™ entre la tubería de agua fría del hogar y la ubicación de la conexión de agua.
- La tubería deberá ser de una extensión suficiente como para llegar hasta el frente del refrigerador. Deje una cantidad de tubería suficiente como para hacer una inclinación que llegue hasta la conexión de la tubería de agua.



NOTA: La única tubería de plástico aprobada por Cafe es suministrada en los Kits de Tuberías para Refrigerador de SmartConnect™. No use ninguna otra tubería de suministro de

agua plástica, ya que la tubería se encuentra bajo presión en todo momento. Otros tipos de plásticos podrán sufrir fisuras o roturas con el paso del tiempo y ocasionar problemas con el agua en su hogar.

Los Kits de Tuberías para Refrigerador de SmartConnect™ están disponibles en las siguientes longitudes:

2' (.6 m) - WX08X10002

8' (2.4 m) - WX08X10006

15' (4.6 m) - WX08X1 0015

25' (7.6 m) - WX08X10025

### Cierre el suministro principal de agua.

Abra el grifo más cercano durante un tiempo suficiente como para despejar la tubería de agua.

- Instale una válvula de cierre entre la válvula de agua de la máquina de hielo y la tubería de agua fría en un punto bajo o en un gabinete. La válvula de cierre deberá ser ubicada donde sea de fácil acceso.
- Abra el suministro de agua principal y deje correr la suciedad. Deje correr aproximadamente un cuarto de galón de agua a través de la tubería a un balde. Cierre el suministro de agua desde la válvula de cierre.

**NOTA:** Muchos kits de suministro de agua incluyen válvulas de cierre tipo montura, pero no se recomiendan para esta aplicación.

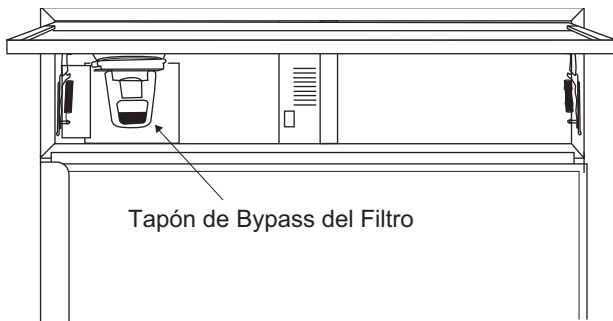
**NOTA:** Se deberá cumplir con los Códigos de Plomería del Commonwealth de Massachusetts 248CMR. Las válvulas tipo montura son ilegales y su uso está prohibido en Massachusetts. Consulte a un plomero matriculado.

# Guía de Diseño - Instalación de Acero Inoxidable

## PASO 2A INSTALACIÓN DE LA TUBERÍA DE AGUA CON SISTEMA DE ÓSMOSIS INVERSA U OTRO SISTEMA DE FILTRACIÓN HOGAREÑO

Saltee este paso si no usará un sistema RO u otro sistema de filtración hogareño.

Si el suministro de agua al refrigerador es desde un sistema de filtración hogareño, utilice el tapón del bypass del filtro del refrigerador. El uso del cartucho de filtración de agua del refrigerador junto con el filtro RO podrá producir cubos de hielo huecos.



## PASO 3 INSTALE LOS PANELES LATERALES

Saltee este paso cuando no use los paneles laterales. Si usará paneles laterales de 1/4" (0.63), deberán ser insertados en el marco de la carcasa. Ajuste los paneles al refrigerador con cintas de sujeción de velcro, antes de establecer el refrigerador en su posición.

## STEP 4 PROCEDIMIENTO ANTITIP

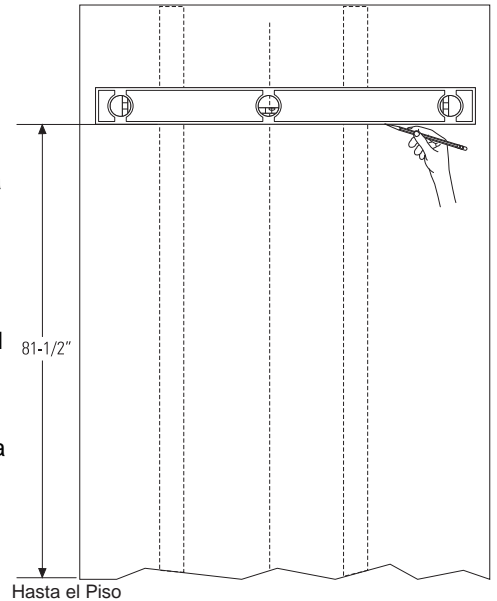
### ⚠ ADVERTENCIA



### Riesgo de Caídas

Estos refrigeradores son inestables, especialmente cuando una puerta se encuentre abierta, y deberán estar asegurados a fin de evitar caídas hacia adelante que podrían resultar en la muerte o en lesiones graves. Lea y siga las instrucciones de instalación en su totalidad para asegurar el refrigerador con el sistema anti volcaduras.

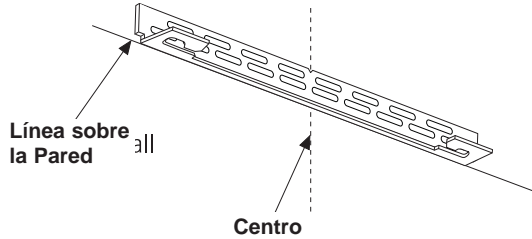
- El kit suministrado con la unidad cuenta con 2 tornillos tirafondo y tornillos con resortes. El soporte de pared será adherido a la pared en 4 posiciones.
- Mida la abertura donde la unidad será instalada. Marque el centro con una línea vertical.
- Mida 81 1/2" (207.01 cm) desde el piso. Marque este punto sobre la pared.
- Con un nivel, dibuje una línea horizontal sobre la pared a esta altura.
- Ubique por lo menos 2 montajes en la pared trasera. Marque estos puntos sobre la línea horizontal.



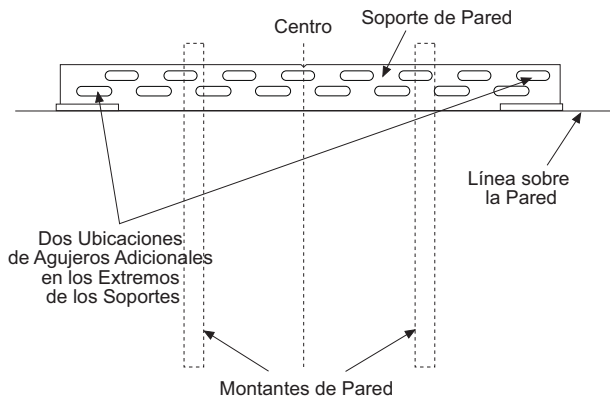
# Guía de Diseño - Instalación de Acero Inoxidable

## PASO 4 PROCEDIMIENTO ANTI-VOLCADURAS

- Coloque la parte inferior del soporte de pared con las lengüetas en la línea horizontal. Alinee la abertura central sobre el soporte con la línea central sobre la pared.



- El soporte de pared anti volcaduras cuenta con una serie de agujeros. Seleccione 2 agujeros que coincidan con los montajes ubicados. Asegúrese de que los agujeros seleccionados se encuentren en el centro de los montajes. Marque la pared en estos puntos.
- Marque un agujero adicional en cada extremo del soporte. Si uno de los montajes se encuentra más cerca del extremo del soporte, marque un agujero adicional hacia el centro del soporte.



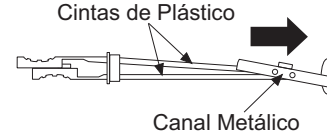
- Realice agujeros de 1/2" (1.27 cm) en el tablero de pared, en las ubicaciones marcadas para el montaje de los resortes (no las marcas de los montajes).
- Realice agujeros de 3/16" (0.47 cm) en los montajes de madera donde se realizaron las marcas. Si se trata de una construcción de montajes de acero, realice agujeros de 1/2" en los montajes donde se realizaron las marcas. Se deberán usar 2 resortes con los montajes metálicos.

### Instale los Resortes de Pared:

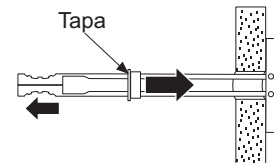
Los resortes de pared y los tornillos pueden ser ordenados como el Kit de Servicio nº WR49X10193. Los tornillos con resortes de pared se instalan sobre el panel de yeso y los montajes metálicos para lograr estabilidad. Instale los tornillos con resortes de pared del siguiente modo:

- Realice agujeros de 1/2" (1.27 cm) sobre las marcas de la pared realizadas en los agujeros sobre los extremos del soporte de pared.

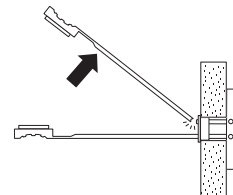
- Sostenga el canal metálico de forma plana contra las cintas de plástico y deslice el canal a través del agujero.



- De forma suave, empuje hacia atrás sobre los extremos de las cintas de plástico para hacer que el canal descansa de forma nivelada detrás de la pared.
- Sostenga los extremos de las tiras con una mano y deslice la tapa de plástico a lo largo de las cintas, hasta que el reborde de la tapa quede nivelado con la pared.

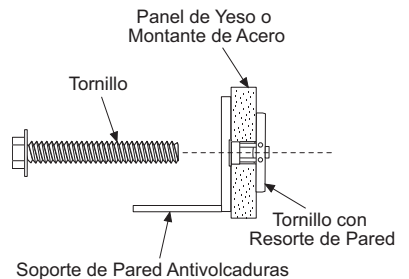
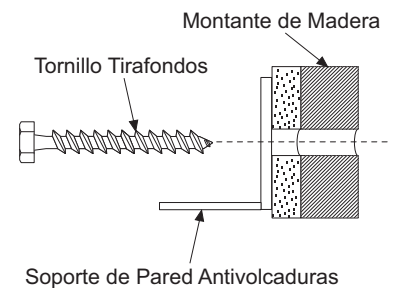


- Coloque el pulgar entre las cintas de plástico e incline las mismas hacia arriba y abajo para desenganchar las mismas de la pared.



### Instale los Tornillos y Pernos:

- Solicite a alguien que sostenga el soporte de pared centrado en su posición con cada uno de los agujeros alineados con la abertura correcta en el soporte y realice la nivelación con la línea horizontal.
- Inserte los tornillos tirafondo a través del soporte y en el montante. Ajuste con una llave.



# Guía de Diseño - Instalación de Acero Inoxidable

## PASO 4 PROCEDIMIENTO ANTI-VOLCADURAS (Cont)

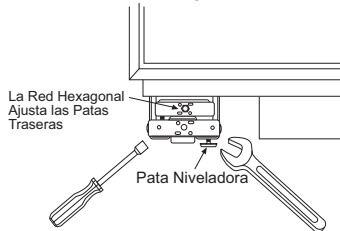
### CONECTE EL CABLE DE CORRIENTE:

- Antes de empujar el refrigerador hasta la abertura, enchufe el cable de corriente en el receptáculo. Abra el panel con la rejilla sobre la izquierda y alcance la abertura en la parte trasera para tomar el cable de corriente. Empuje el cable de corriente sobre la abertura a medida que empuja el refrigerador hacia atrás.
- De forma suave, empuje el refrigerador sobre la abertura con las manos contra las esquinas frontales.

## PASO 5 NIVELE EL REFRIGERADOR

Todos los modelos cuentan con 4 puntos de nivelación. La parte frontal está apoyada sobre patas niveladoras; la parte trasera está apoyada sobre ruedas ajustables. Es posible acceder a ambas desde la parte frontal del refrigerador.

- A fin de nivelar la parte trasera del refrigerador, gire la tuerca hexagonal de 7/16" que se encuentra ubicada sobre las ruedas frontales. Gire en dirección horaria para elevar el refrigerador, y en dirección antihoraria para bajar el mismo.
- Para nivelar la parte frontal, use una llave de boca de 1 1/4" (3.175 cm).
- Ajuste la altura del refrigerador para que coincida con la abertura del espacio libre de la instalación de 83 1/2" (212.09 cm) a 84 1/2" (214.63 cm). El refrigerador deberá estar nivelado y correctamente instalado entre los muebles de cocina.



Las ruedas niveladoras traseras y las patas niveladoras frontales cuentan con un límite de ajuste de altura máxima de 1". Si en la instalación se requiere una altura superior a 84 1/2" (214.63 cm), el instalador deberá elevar el refrigerador sobre una lámina de contrachapado o correderas. También se podrá agregar un marco para gabinetes a través de la parte superior de la abertura, a fin de acortar esta última. Si intenta elevar el refrigerador más de 1" (2.54 cm), dañará las patas niveladoras frontales y las ruedas niveladoras traseras.

## PASO 6 ASEGURE LA UNIDAD A LA PARED

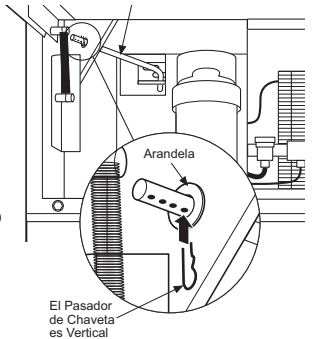
- La varilla en "L" se podrá encontrar en la esquina superior izquierda de la unidad, en el compartimiento de acceso. Observe el compartimiento de acceso para asegurarse de que la varilla esté alineada con el soporte anti volcaduras.
- Hay 2 arandelas y un pasador de chaveta por varilla. Retire las arandelas y el pasador de chaveta del extremo de la varilla.
- Gire y mueva la varilla en "L" en la ranura de la lengüeta del soporte anti volcaduras. Una vez que se encuentre en la ranura, gire la varilla en "L" de modo que la parte del gancho apunte hacia abajo. Los agujeros del extremo frontal de la varilla se deberán encontrar en posición vertical.



- Empuje hacia afuera el extremo de la varilla para constatar que esté bien asegurada al soporte.
- Ubique el agujero de la varilla que se encuentre más cerca de la unidad. Se deberá colocar un pasador de chaveta a través de este agujero para asegurar la varilla. Si este agujero parece estar demasiado alejado para un ajuste perfecto contra la unidad, agregue las arandelas una por vez hasta que el perno calce de forma ajustada en el agujero.
- Alinee la sección recta del perno con el agujero del lado inferior de la varilla. Empuje el perno hacia arriba hasta que calce en su posición. Se podrán usar pinzas.

NOTA: El pasador de chaveta deberá estar vertical cuando este paso sea completado, a fin de asegurar que la varilla en "L" esté adherida al soporte.

- Controle que la varilla se encuentre ajustada empujando hacia adelante. Si la varilla se mueve, retire el pasador de chaveta y coloque otra arandela en la varilla. Vuelva a insertar el perno.

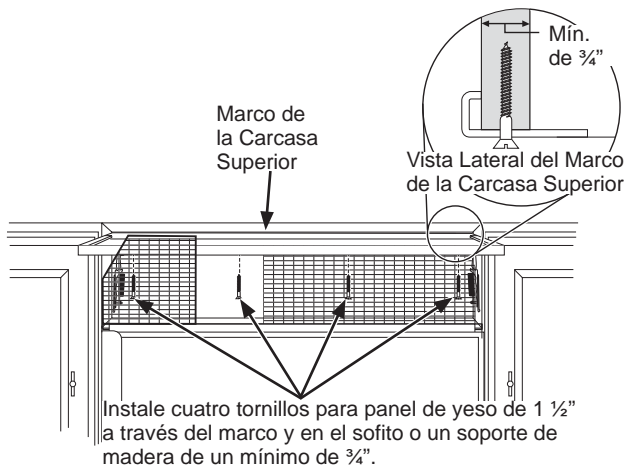


# Guía de Diseño - Instalación de Acero Inoxidable

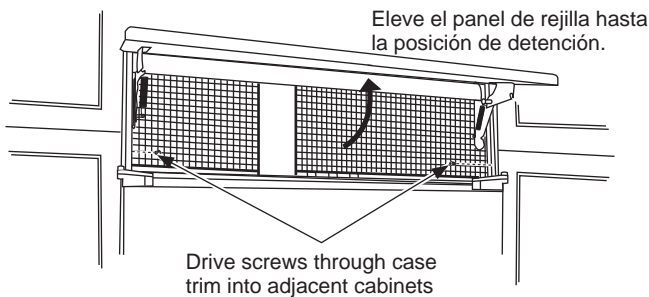
## PASO 7 PROCEDIMIENTO ANTI-VOLCADURAS ALTERNATIVO

El refrigerador deberá quedar asegurado a fin de evitar volcaduras. Si no es posible usar el soporte anti volcaduras, se podrá usar este método alternativo para evitar que el refrigerador sufra una caída.

- Eleve el panel de rejilla para acceder al marco de la carcasa.
- Use una broca de 1/16" para perforar cuatro agujeros en el espacio libre espaciado de forma pareja a través del marco de la carcasa metálica superior.



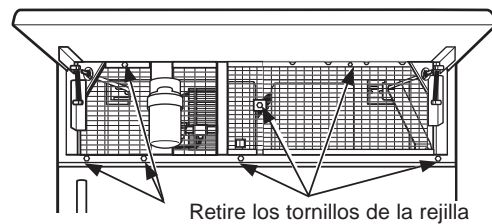
- Use una broca de 1/16" para perforar agujeros piloto a través de los agujeros metálicos en el espacio libre y en el soffito de madera. Los agujeros deberán estar centrados en el soffito o en un soporte de madera de un mínimo de 3/4". El soporte que abarca el cercado deberá estar ajustado de forma segura a los gabinetes sobre ambos lados.
- Instale cuatro tornillos para panel de yeso de 1 1/2" (3.81 cm) en los agujeros piloto.
- Si no se cuenta con un soffito sobre la unidad, perfore tornillos en los gabinetes adyacentes a través del marco de la carcasa lateral.



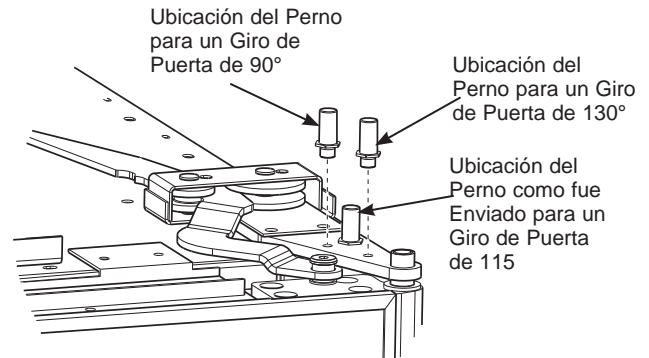
## PASO 8 AJUSTE EL GIRO DE LA PUERTA

**NOTA:** El refrigerador cuenta con una detención de la puerta de 3 posiciones. Cuando el espacio no permita que la puerta gire completamente hasta los 115°, podrá cambiar el giro de puerta a una apertura de 90°. Un giro de puerta de 130° está disponible para la instalación estándar únicamente. Si se usa para una instalación nivelada, se dañarán los paneles de madera. Si la apertura de la puerta es satisfactoria para su situación durante la instalación, saltee este paso.

- Levante el panel de rejilla para acceder al marco de la tapa de cables.
- Retire los tornillos que se encuentran a ambos lados del marco de la tapa de cables y gire hacia afuera.



- Use una pinza para desenroscar la detención de la puerta y vuelva a instalar la misma en una posición de 90° o 130°.
- Vuelva a instalar el marco de la tapa de cables.



## PASO 9 J1

**⚠ ADVERTENCIA** Realice la conexión a un suministro de agua potable únicamente. Se requiere un suministro de agua fría para el funcionamiento de la máquina de hielos automática y de la jarra de llenado automático. La presión del agua deberá estar entre 40 y 120 p.s.i. (275 – 827 kPa).

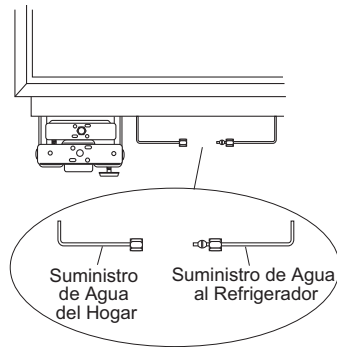
**⚠ ADVERTENCIA**  PELIGRO DE DESCARGA ELÉCTRICA

Adhiera la abrazadera de la tubería usando el agujero existente únicamente. NO perfore el refrigerador.

# Guía de Diseño - Instalación de Acero Inoxidable

## PASO 9 REALICE LA CONEXIÓN AL SUMINISTRO DE AGUA (Cont)

- Encuentre y traiga la tubería al frente del gabinete.
- Abra y deje correr el agua a fin de eliminar desechos del suministro. Deje correr alrededor de un cuarto de galón de agua por la tubería a un balde; luego cierre el suministro de agua.



### Tubería de Cobre:

- Coloque una tuerca de 1/4" y una abrazadera de refuerzo (provista) sobre ambos extremos de la tubería de cobre. Inserte la tubería en la unión con la unidad y ajuste la tuerca a la unión.
- Abra el suministro de agua para controlar que no haya pérdidas.

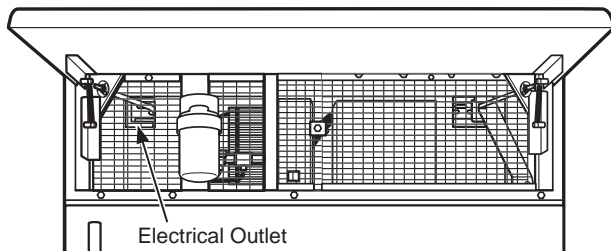
### Tubería SmartConnect™:

- NOTA:** La única tubería de plástico aprobada por Cafe es suministrada en los Kits de Tuberías para Refrigerador de SmartConnect™. No use ninguna otra tubería de suministro de agua plástica, ya que la tubería se encuentra bajo presión en todo momento. Otros tipos de plásticos podrán sufrir fisuras o roturas con el paso del tiempo y ocasionar problemas con el agua en su hogar.
- Inserte el extremo moldeado de la tubería en la conexión del refrigerador. Ajuste la tuerca de compresión hasta que quede fijada sólo con la presión manual.
  - Realice un ajuste adicional con un giro de llave. ¡Un ajuste excesivo podrá ocasionar pérdidas!
  - Abra el suministro de agua para controlar que no haya pérdidas.

**NOTA:** Asegúrese de que un exceso de la longitud de la tubería no interfiera con el cierre del cajón o con la instalación del zócalo.

## PASO 10 CONECTE LA CORRIENTE

- Asegúrese de que el cable de corriente esté enchufado en el receptáculo.



- Asegúrese de que la corriente que va al refrigerador está activada, abriendo la puerta del refrigerador para ver si las luces interiores están encendidas.
- Los controles de temperatura están preconfigurados en 37°F (2.78°C) para la sección de comidas frescas y en 0°F (-17.78°C) para el freezer.
- Permita que se establezca durante 24 horas antes de realizar ajustes.

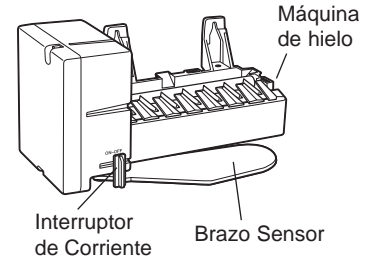
## PASO 11 ENCIENDA LA MÁQUINA DE HIELO

**⚠ ADVERTENCIA** Realice la conexión a un suministro de agua potable únicamente. Se requiere un suministro de agua fría para el funcionamiento de la máquina de hielos automática y de la jarra de llenado automático. La presión del agua deberá estar entre 40 y 120 p.s.i. (275 – 827 kPa).

### ⚠ ADVERTENCIA PELIGRO DE DESCARGA ELÉCTRICA

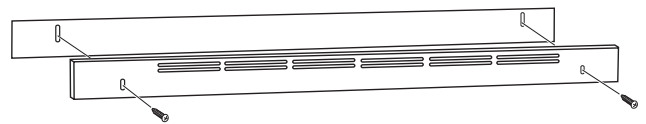
Adhiera la abrazadera de la tubería usando el agujero existente únicamente. NO pefore el refrigerador.

- La máquina de hielo comenzará a funcionar automáticamente.
- Asegúrese de que nada interfiera con la extensión del interruptor de energía.
- Descarte el primer balde lleno de cubos de hielo.
- Para apagar la máquina de hielo, deslice el interruptor a OFF (Apagado).



## PASO 12 INSTALE EL ZÓCALO

- Ubique los zócalos suministrados (encintados en el embalaje al costado del refrigerador). Instale el ensamble del zócalo con los 2 tornillos provistos, ajuste hasta la altura deseada y ajuste los tornillos.



**IMPORTANTE:** Se podrá instalar un zócalo a medida que coincida con o complemente los gabinetes circundantes, pero NO podrá cubrir las ranuras de ventilación horizontales del zócalo de fábrica.



# Notas

---

# Notas

---

# Notas

---

**C A F É**

---

**DISTINCT BY DESIGN™**

**NOTA:** Al realizar las instalaciones descritas en este libro, se deberán usar anteojos o gafas de seguridad.

**NOTA:** Cafe se esfuerza de forma constante para mejorar sus productos. Por lo tanto, los materiales, el aspecto y las especificaciones están sujetos a cambios sin aviso previo.