

Café™ Professional Series 30" Built-In Convection French-Door Double Wall Oven

CTD90FP4NW2 / CTD90FP3ND1 / CTD90FP2NS1

CAFÉ

DISTINCT BY DESIGN™



ALSO AVAILABLE IN



CTD90FP3ND1
Matte Black with Brushed Stainless handles



CTS90FP2NS1
Stainless Steel with Brushed Stainless handles



FEATURES & BENEFITS

Professional design brought to life - Bring unparalleled sophistication to your kitchen with a French-door wall oven that exudes professional style and allows you to personalize the look with customizable handles and finishes

French door design for more approachable access - Bake with ease thanks to the purposeful French-door design, which allows you to open both doors using a single hand, and easily place food inside

Precision is the name of your cooking game - Confidently try new recipes and perfectly execute your favorites, using a smart system that automatically tracks progress, modifies temperatures and adjusts cook times

Brighten up life in the kitchen - Easily navigate wall oven settings using a stunning full color display that adds an unexpected touch of style to your kitchen

The perfect bake is now perfectly easy - Achieve unrivaled performance with the only system that delivers top-down true convection for consistent results on special occasion favorites like roasts, chicken, turkey and more

No preheat, no hassle - Save time with a variety of precision cooking modes that eliminate the need for preheating

Fried taste. Crisp texture. Less oil. - Make your favorite "fried" foods healthy, thanks to a mode that crisps without using oil for frying

Create a look that matches your personal style - Select any combination of premium finishes and hardware options to create a stunning look customized to any owner's taste

Enjoy convenient temperature control from anywhere - Preheat while running errands or change oven temperatures while doing yard work with the Café Appliances Kitchen app

The oven rack that handles it all - Easily remove heavy dishes with a roller rack that is specially designed to glide smoothly and stay in the oven during the self-clean cycle, so you never have to handle cumbersome racks again

The perfect fit you've always dreamed of - When you're updating your kitchen, attention to detail is a priority. That's why Café wall ovens are guaranteed for an exact fit or Café Appliances will pay up to \$300 toward modifications.

APPEARANCE

Handle	Café Pro Style; Customizable
Installation	Above Warming Drawer; Side-by-Side

FEATURES

Configuration	French Door
Cooking System	True European Convection with Direct Air (Both Ovens)
Oven Cleaning Type	Self-Clean with Steam Clean Option
Cleaning Time	Variable with Delay Clean Option
Oven Cooking Modes	Convection Bake; Convection Bake Multi-Rack; Convection Broil Hi/Lo; Convection Roast; Hot-Air Frying; Precision Cooking Modes; Proof; Thermal Bake; Thermal Broil Hi/Lo; Warming
Self-Clean Oven Door Lock	Automatic
Control Type	7" Full-Color Touch LCD Screen
Oven Features	10-Pass Bake Element; 10-Pass Dual Broil Element; Closed Door Broiling
Oven Rack Features	2 Never-Scrub Roller Racks (Both Ovens); 6 Embossed Rack Positions (Both Ovens)
Product Type	Wall Oven Double
Oven Control Features	12-Hour Shut-Off Capability; Audible Preheat Signal; Auto Recipe Conversion; Certified Sabbath Mode; Control Lock Capability; Cook Time; C° or F° Programmable; Delay Time; Electronic Clock & Kitchen Timer; Mis-Wire Detection; Remote Enabled; Scan-to-cook; Temperature Probe
WiFi Connect	Built-In
Connected Capabilities	Amazon Alexa; Drop; IFTTT; Innit; Nest; The Google Assistant
Cooking Technology	Convection
Oven Interior	2 Halogen Interior Oven Lights (Both Ovens); Black Gloss Finish; Hidden Bake

CAPACITY

Total Capacity (cubic feet)	10.0
Capacity (Cu. Ft.)	5.0 Upper / 5.0 Lower

POWER / RATINGS

Amp Rating at 208V	40
Amp Rating at 240V	40
Bake Wattage	2850W
Broiler Wattage	4300W
Convection Wattage	2400W
KW Rating at 208V	6.8
KW Rating at 240V	9

WEIGHTS & DIMENSIONS

Approximate Shipping Weight	398
Net Weight	370
Overall Height	53
Overall Width	29-3/4
Overall Depth	26-3/4
Cabinet Width	30
Cutout Dimensions (w x h x d) (in.)	28-1/2 x 51-13/16 x 23-1/2 (With Pedestal Rails) 28-1/2 x 50-1/4 x 23-1/2 (Without Pedestal Rails)
Oven Interior Dimensions (lower)	25 x 17-3/8 x 20-1/4
Oven Interior Dimensions (upper)	25 x 17-3/8 x 20-1/4

OPTIONAL ACCESSORIES

30" Never-Scrub Roller Rack	UXWORXR30
Large Broiler Pan	WB48X10056
72" Replacement Electrical Conduit	WB18T10580

Café™ Professional Series 30" Built-In Convection French-Door Double Wall Oven

CAFÉ

DISTINCT BY DESIGN™

CTD90FP4NW2 / CTD90FP3ND1 / CTD90FP2NS1

WARRANTY

Parts warranty	Limited 1-year entire appliance
Labor warranty	Limited 1-year entire appliance
Warranty notes	See written warranty for full details

DIMENSIONS AND INSTALLATION INFORMATION (IN INCHES)

Most 30" Wall Cabinets can be used with this unit

Note: These ovens are not approved for stackable installations. Cabinets installed adjacent to wall ovens must have an adhesion spec of at least a 194°F temperature rating.

Door handle protrudes 2-1/2" from door face. Cabinets and drawers on adjacent 45° and 90° walls should be placed to avoid interference with the handle.

Electric wall ovens are not approved for installation with a plug and receptacle. They must be hard wired in accordance with installation instructions.

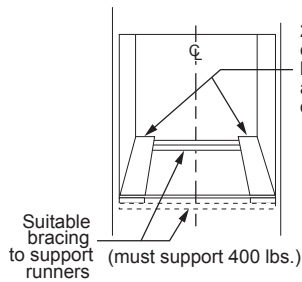
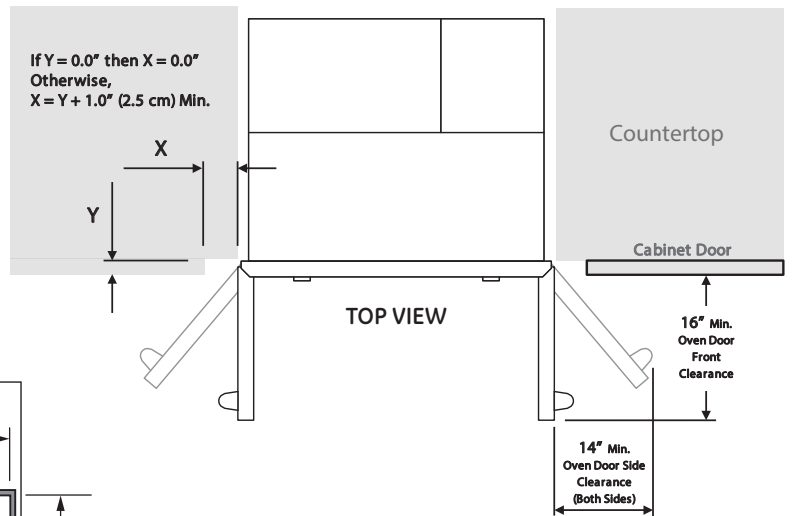
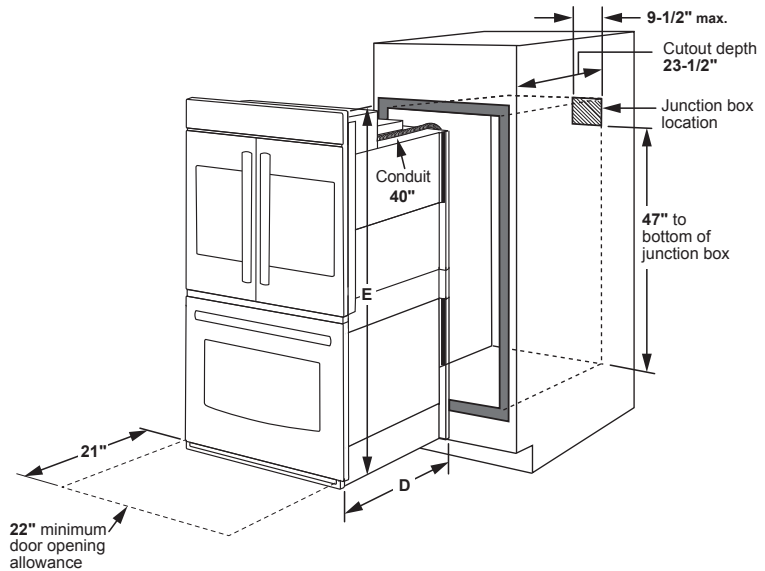
Installation Information:

Before installing, consult installation instructions packed with product for current dimensional data and for alternate installation options.

Note: A minimum gap of 14" from either side of the wall oven to an adjacent 45 or 90 cabinet, drawer or wall is required to avoid interference with the opening of the doors. The handles protrude 2-1/2" from the door face.

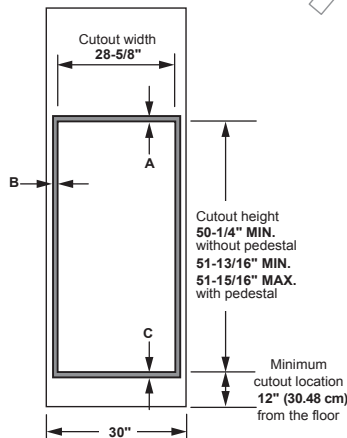
Countertops may need to be notched on either side of the wall oven to avoid interference with the opening of the doors.

THIS MODEL IS NOT APPROVED FOR FLUSH-MOUNT INSTALLATION



2 x 4 or equivalent runners level with bottom of cutout and flush with sides of cutout or solid bottom floor.

Cabinet	30"
A - Overlap of oven at top of cutout	1-1/4"
B - Overlap of oven other side of edge of cutout	3/4"
C - Overlap of oven at bottom of cutout	1-1/4"
Oven	
D - Install depth	23-1/2"
E - Overall height with trim	53"
F - Overall width	29-3/4"



DIMENSIONS AND INSTALLATION INSTRUCTIONS ARE SHOWN IN INCHES

Café™ Professional Series 30" Built-In Convection French-Door Double Wall Oven

CTD90FP4NW2 / CTD90FP3ND1 / CTD90FP2NS1

CAFÉ

DISTINCT BY DESIGN™

DIMENSIONS AND INSTALLATION INFORMATION (IN INCHES)

Note: 30" Double electric wall ovens are approved for installation above 27" and 30" warming drawers.

Attention installer: Electric wall ovens are NOT approved for installation with a plug and receptacle. They must be hard wired into an approved junction box.

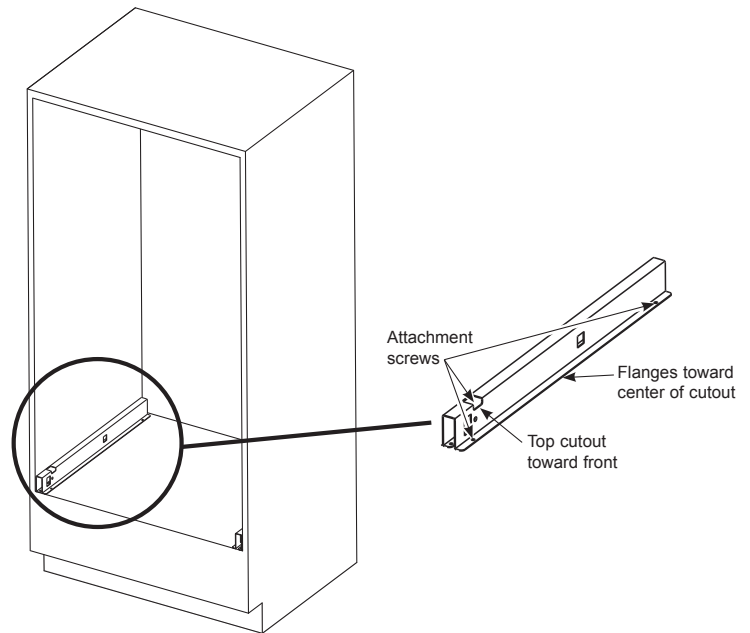
Important: Before installing, consult installation instructions packed with ALL products for current dimensional and combination data.

When to use the pedestal rails: When replacing an older GE Appliances 30" double wall oven with a new GE Appliances model. Cutout Height = 51-13/16" to 51-15/16". This is our traditional cutout height.

When not to use the pedestal rails:

When replacing a 30" double wall oven from another manufacturer (ie; Whirlpool) with a new GE Appliances model. Cutout height = 50-1/4". You will need to verify that the existing cutout matches the 50-1/4" dimension.

If the new GE Appliances 30" double wall oven is being installed into new construction (ie; not a replacement), then the recommended installation is to use the pedestal rails.



ADDITIONAL ACCESSORIES



CXWDFHKMNBZ
Brushed Bronze
3 handles
(standard on Matte White)



CXWDFHKMNSS
Brushed Stainless
3 handles
(standard on Matte Black)



CXWDFHKMNBT
Brushed Black
3 handles



CXWDFHKMNCU
Brushed Copper
3 handles