

# Ventilation Hood Insert

## EI36HI55K S



### Dual-Centrifugal Fans

Move air quietly and quickly — up to 1,200 cu. ft. of air per minute.



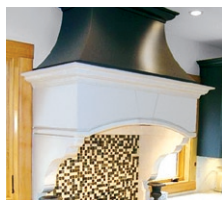
### Stainless Steel Filters

Dishwasher safe for easy cleaning.



### Luxury-Design® Lighting

Four halogen lights give brilliant illumination of your cooking surface.



### Blower Motor System Options

Choose the style of ventilation from an integrated or remote blower installation option. Next, choose 600 CFM or 1,200 CFM options needed for your ventilation requirements.

### 36" VENTILATION HOOD INSERT

#### Features

Nominal Width	36"
Installation Type	Hood Insert
Style	Stainless Steel
Air Discharge	Vertical or Horizontal
Air Delivery – (CFM)	
Integrated Blower Motor	1200/600
Remote Blower Motor	1200/600
Blower Type –	
Integrated (1200 CFM)	Dual-Centrifugal
Integrated (600 CFM)	Centrifugal
Remote (1200 CFM)	Dual-Centrifugal
Remote (600 CFM)	Centrifugal
Mechanical Controls	Yes
Fan Speeds	4
Quad Halogen Lights (High/Low)	Yes
Dishwasher Safe Stainless Steel Filters	Yes
Exhaust Duct	External
Duct Recommended for 1200 CFM Blower	10"
Duct Recommended for 600 CFM Blower	6" or 8"

#### Blower Motor System Options

1200 CFM Integrated Blower Motor System Kit	EI12HIPIKS
600 CFM Integrated Blower Motor System Kit	EI06HIPIKS
1200 CFM Remote Blower Motor System Kit	EI12HIPRKS
600 CFM Remote Blower Motor System Kit	EI06HIPRKS

#### Specifications

Color –	Stainless Steel	S
Product Dimensions –		
Height	11-1/2"	
Width	35-13/16"	
Depth	22"	
Voltage Rating	120V/60 Hz/15 or 20A	
Connected Load (kW Rating) @ 120 Volts <sup>†</sup>		
Integrated/Remote Blower Motor (1200 CFM)	.81	
Integrated/Remote Blower Motor (600 CFM)	.40	
Amps @ 120 Volts –		
Integrated/Remote Blower Motor (1200 CFM)	7.4	
Integrated/Remote Blower Motor (600 CFM)	3.7	
Shipping Weight (Approx.) –		
Hood Insert	45 Lbs.	
Integrated Blower Motor (1200 CFM)**	23 Lbs.	
Integrated Blower Motor (600 CFM)**	14 Lbs.	
Remote Blower Motor (1200 CFM)**	49 Lbs.	
Remote Blower Motor (600 CFM)**	40 Lbs.	
Sones Rating –		
Integrated Blower Motor (1200 CFM)	14.3	
Integrated Blower Motor (600 CFM)	11.9	
Remote Blower Motor (1200 CFM)	8.9	
Remote Blower Motor (600 CFM)	4.9	

<sup>†</sup> For use on adequately wired 120V, dedicated circuit having 2-wire service with a separate ground wire. Appliance must be grounded for safe operation.

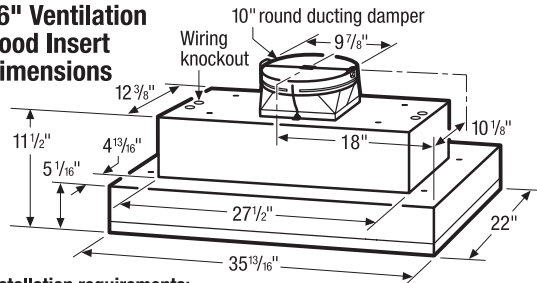
\*\* Blower Motor System ordered separate from hood. Blower Motor System Kit shipped separate. Only one System Kit is necessary per Vent Hood Insert.

NOTE: Always consult local and national electric codes. Check local building codes for installation requirements, as they may vary per locale. Refer to Product Installation Guide for detailed installation instructions on the web at [electroluxappliances.com](http://electroluxappliances.com). Specifications subject to change.

BLOWER MOTOR SYSTEM KITS	HOOD INSERT MODELS		
	MODEL	EI30HI55K	EI36HI55K
EI06HIPIKS (600 CFM Integrated Blower Kit)	•	•	•
EI12HIPIKS (1200 CFM Integrated Blower Kit)		•	•
EI06HIPRKS (600 CFM Remote Blower Kit)	•	•	•
EI12HIPRKS (1200 CFM Remote Blower Kit)	•	•	•

\* You can use your range hood model with this blower motor kit.

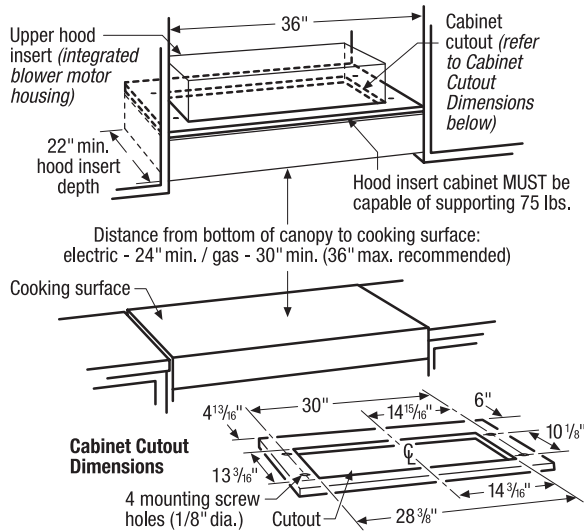
## 36" Ventilation Hood Insert Dimensions



### Installation requirements:

Vent Hood Insert requires installation of Blower Motor System (integrated or optional remote) and custom-built enclosure. For installation details and specifications, refer to Product Installation Guide on web.

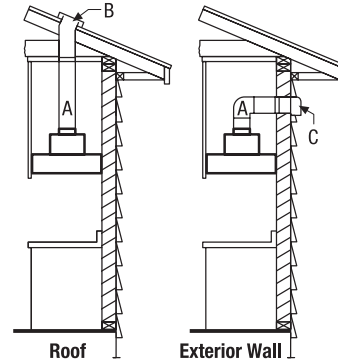
## Cabinet & Cutout Dimensions



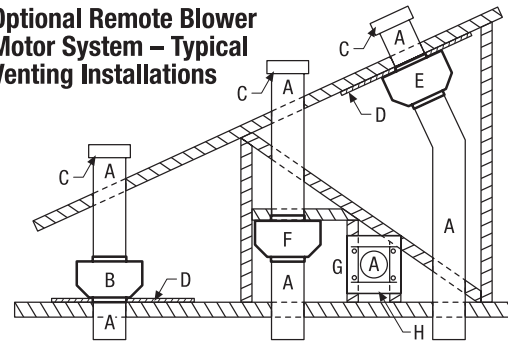
## Venting Methods

- A. 10" round vent
- B. Roof cap
- C. Wall cap

**Notes:** For Vent Hood Insert installations using 600 CFM Blower Motor System, 6" or 8" round vent system recommended; for 1200 CFM, 10" round should be used. (If smaller round vent system is used, sound level will be louder.) Flexible vent not recommended.



## Optional Remote Blower Motor System – Typical Venting Installations



- A. 10" round vent
- B. Mount blower on top of ceiling joists
- C. Roof caps
- D. Plywood (optional for some installations)
- E. Mount blower on underside of roof rafters
- F. Mount blower from cross-members tied to trusses
- G. Duct horizontal; mount blower to cross-members tied to trusses
- H. Wall Cap

**Note:** Structure MUST be capable of supporting 50 lb. weight of Remote Blower Motor System

## 36" Ventilation Hood Insert Specifications

- Product Weights: Hood Insert – 28 lbs.; Integrated Blower – 20 lbs. (1200 CFM) / 11 lbs. (600 CFM); Remote Blower – 37 lbs. (1200 CFM) / 29 lbs. (600 CFM)
- 36" Vent Hood Insert requires custom-built enclosure with installation of Integrated Blower Motor System (1200 or 600 CFM) into upper hood insert's housing; or optional Remote Blower Motor System (1200 or 600 CFM) in separate location. (For installation details and specifications, refer to Product Installation Guide on web.)
- Voltage Rating – 120V/60 Hz/15 Amps
- Connected Load (kW Rating) @ 120 Volts = 0.81 kW (1200 CFM) / 0.40 kW (600 CFM). (For use on adequately wired 120V, dedicated circuit having 2-wire service with a separate ground wire. Appliance must be grounded for safe operation.)
- Amps @ 120 Volts = 7.4 Amps (1200 CFM) / 3.7 Amps (600 CFM)
- Always consult local and national electric codes. Check local building codes for installation requirements, as they may vary per locale.
- Makeup air systems may be required by local building codes when using ventilation systems greater than specified CFM of air movement. Specified CFM varies per locale.
- Custom-built enclosure required, with hood cabinet having 22" min. hood insert depth and 36" width between cabinet opening above cooking surface. Structure and support must be capable of supporting 75 lbs.
- Locate hood insert away from strong draft areas.
- Minimum installation height allowed from bottom of hood canopy to cooking surface is 24" for electric and 30" for gas. (NOT more than 36" recommended.)
- Vent system MUST terminate outdoors through roof or wall; do NOT terminate into attic or other enclosed area.

- Exhaust opening has 10" diameter round vent outlet. For installations using 600 CFM Blower Motor System, 6" or 8" round vent system recommended; for 1200 CFM, 10" round should be used. (If smaller round vent system is used, sound level will be louder.)
- To provide efficient performance, length of vent system and number of elbows should be kept to minimum. Flexible vent greatly reduces performance and is not recommended.
- Use metal vent only – rigid metal vent recommended; plastic or metal foil vent not recommended.
- For cold weather installation, additional backdraft damper and thermal break should be installed. Thermal break will minimize conduction of outside temperatures as part of the vent system with damper on cold air side of break, as close as possible to where vent system enters heated portion of house.

## Optional Remote Blower Motor System Specifications

- Remote Blower installs separately from insert and MUST mount to secure roof, ceiling, wall, floor or new/existing frame construction; spanning studs or mounted to plywood between ceiling joists or roof rafters and may require additional framing. (For installation details and specifications, refer to Typical Venting Installations on this page and Product Installation Guide on web.)
- Structure and support MUST be capable of supporting 50 lb. weight.

**Note:** For planning purposes only. Refer to Product Installation Guide on the web at [electroluxappliances.com](http://electroluxappliances.com) for detailed instructions.

## Blower Motor System Options

- Integrated Blower Motor System Kits:  
1200 CFM – (PN # EI12HIPIKS), 600 CFM – (PN # EI06HIPIKS).
- Remote Blower Motor System Kits:  
1200 CFM – (PN # EI12HIPRKS), 600 CFM – (PN # EI06HIPRKS).

