

Wall Range Hood, 30"

Series 5 | professional

Stainless Steel

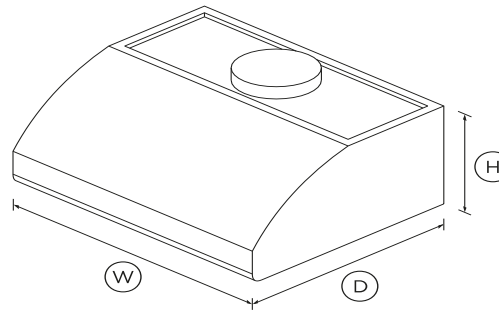


Striking design that pairs well with any appliances in our Professional range. Fast, efficient extraction of steam and odors.

- With four fan speeds, select the perfect extraction rate for your cooking
- With dishwasher-safe stainless steel baffle filters
- Powerful 600CFM maximum airflow

DIMENSIONS

Height	12 "
Width	29 ⁷ / ₈ "
Depth	23 "



FEATURES & BENEFITS

Design quality

The high quality finish, premium grade stainless steel and robust product design combine to deliver an efficient wall hood. This vent hood can also be installed within cabinetry.

SPECIFICATIONS

Fan ratings

Maximum blower air flow	600CFM
Maximum sound rating	71dBA

Performance

Extraction type	Surface
Fan speeds	4
Filter type	Dishwasher Safe Slim Stainless

Power requirements

Supply voltage	120V
----------------	------

Product dimensions

Depth	23 "
Height	12 "
Width	29 ⁷ / ₈ "

Product information

Control type	Rotary Switch
--------------	---------------

Ventilation features

Light type	2 level 50-watts halogen
------------	--------------------------

Warranty

Parts and labor	Limited 2 Year Parts & Labor
-----------------	------------------------------

SKU	50145
-----	-------

The product dimensions and specifications in this page apply to the specific product

and model. Under our policy of continuous improvement, these dimensions and specifications may change at any time. You should therefore check with Fisher & Paykel's Customer Care Centre to ensure this page correctly describes the model currently available. © Fisher & Paykel Appliances Ltd 2019.

Other product downloads available at fisherpaykel.com



User Guide



Installation Guide



A PEACE OF MIND SALE

24 Hours 7 Days a Week Customer Support

T 1300 650 590 **W** www.fisherpaykel.com