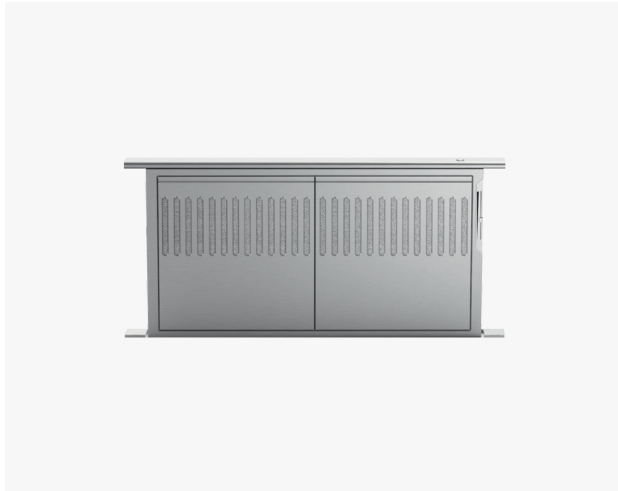


# Downdraft Range Hood, 30", Telescopic

Series 7 | professional

Stainless Steel with Black Glass

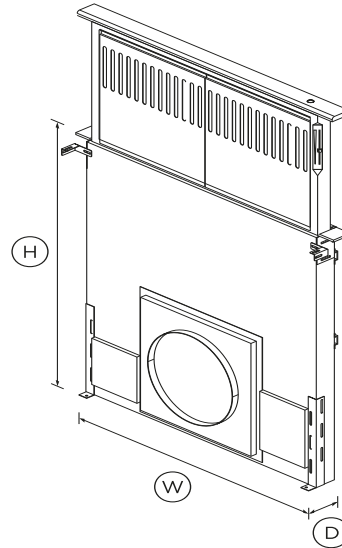


Perfectly hidden away behind your cooktop, this 30" downdraft range hood can be raised while cooking, for efficient extraction.

- Seamlessly integrates into your kitchen, sliding up from your cooktop when you need it
- Raises to 14" height for better steam, grease and odor-capture efficiency
- Pair with our remote 1200CFM or our internal 600CFM blower for quiet and effective extraction

## DIMENSIONS

Height	28 1/4 - 42 1/4 "
Width	30 "
Depth	2 1/8 "



## FEATURES & BENEFITS

### Quiet and effective

The downdraft system quickly and quietly extracts unwanted grease, smoke and odors through stainless steel mesh filters.

## SPECIFICATIONS

### Installation and cleaning

Air outlet size	6"
-----------------	----

Ducted	Front or Side Extraction
--------	--------------------------

## Performance

Extraction type	Surface
Fan speeds	Infinite Speed Control

## Power requirements

Supply voltage	120V
----------------	------

## Product dimensions

Depth	2 1/8 "
Height	28 1/4 - 42 1/4 "
Width	30 "

## Product information

Control type	Slider
--------------	--------

## Ventilation features

Light type	None
------------	------

## Warranty

Parts and labor	Limited 2 Year Parts & Labor
-----------------	------------------------------

SKU	50044
-----	-------

The product dimensions and specifications in this page apply to the specific product and model. Under our policy of continuous improvement, these dimensions and specifications may change at any time. You should therefore check with Fisher & Paykel's Customer Care Centre to ensure this page correctly describes the model currently available. Â© Fisher & Paykel Appliances Ltd 2019.

---

Other product downloads available at [fisherpaykel.com](http://fisherpaykel.com)



User Guide



Installation Guide



Installation Guide



Resources (zip)



**A PEACE OF MIND SALE**

**24 Hours 7 Days a Week Customer Support**

**T** 1300 650 590 **W** [www.fisherpaykel.com](http://www.fisherpaykel.com)