

Gas Range, 36", 5 Burners

Series 7 | Classic

Stainless Steel

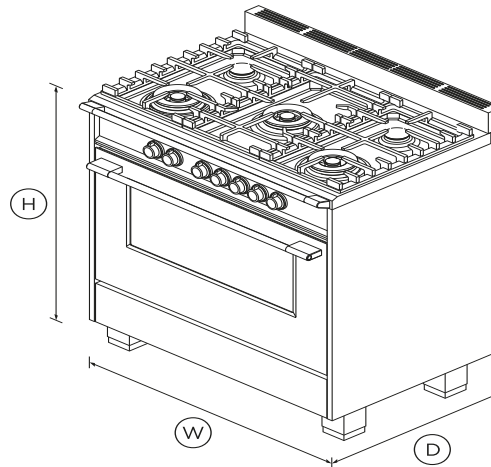


Make your range a focal point. With a large capacity oven and five burners, this is the perfect way to cook for a crowd.

- Five burner gas cooktop, including one dual ring and two triple ring wok burners
- Gas oven with 4.9 cu ft total capacity and three functions including Bake and Broil

DIMENSIONS

Height	35 ³ / ₄ - 37 ¹ / ₄ "
Width	35 ⁷ / ₈ "
Depth	25 ¹ / ₄ "



FEATURES & BENEFITS

Design quality

This range has been carefully crafted in every detail from performance to durability using quality materials including the balanced soft-close door and rounded hob rail.

Large capacity

The large 4.9 cu ft capacity for this range gives you plenty of space to cook multiple dishes at the same time.

Performance power

Precise cooktop controls let you sear or stir fry over instant, powerful heat. Use the high burner power or simmer a delicate sauce using the gentlest of heats.

Easy cleaning

With its durable surface, your cooktop simply needs a quick wipe after cooking to keep it looking good as new for years to come.

SPECIFICATIONS

Accessories

2-pc grill system (Broil pan and	•
Broil pan	•
Chromed shelf runners	1 set
Full Extension Telescopic	2 sets (part 578744)
Grill rack	•
Hob rear trim (optional)	3 1/8" (part 81654)
Kick strip, stainless steel	Part 81659
Small pot support	1 (part 533981 cast)
Wok stand	1 (part 534678)

Capacity

Shelf positions	7
Total capacity	4.9cu ft

Cleaning

Acid resistant graphite enamel	•
Dishwasher safe trivets	•
Removable oven door	•
Removable shelf runners	•

Controls

Interior light	•
Laser etched graphics	•

Gas requirements

Supply Pressure (LPG)	11" W.C.P
Supply Pressure (natural gas)	4" W.C.P

Oven features

Concealed element	•
Convection	•
Convection bake	•
Electronic ignition	•
Full extension telescopic	2 sets (part 578744)
Internal light	4 x 25W halogen (2 side & 2
Soft open/close door	•
Storage drawer	•

Oven functions

Bake	17000BTU
Broil	•
Convection bake	•
Maxi Broil	•
Number of functions	3

Oven performance

Bake	17000BTU
Broil	13000BTU
CoolTouch door	•

Power requirements

Amperage	1A
Supply frequency	60Hz
Supply voltage	120V

Product dimensions

Depth	25 1/4 "
Height	35 3/4 - 37 1/4 "
Installation cutout dimensions	25 1/4 "
Installation cutout dimensions	36 "
Width	35 7/8 "

Rangetop features

Dishwasher safe trivets	•
Hob rail	•
Hob rear trim	0 7/8"
LPG/Natural gas compatible	•
Sealed range top	•

Rangetop Performance

Dual wok burner inner / outer	1000 - 18000BTU
Dual wok burner inner / outer	1000 - 18000BTU
Max burner power	18000BTU
Number Of Burners Elements	5
Semi-rapid burner (LPG) x2	1500 - 8000BTU
Semi-rapid burner (natural gas)	1500 - 8000BTU
Total cooktop power	62000BTU
Triple ring wok burner (LPG)	6100 - 14000BTU
Triple ring wok burner (natural)	6100 - 14000BTU

Safety

Advanced cooling system	•
Anti-tilt bracket	•
Auto re-ignition system	•
Balanced oven door	•
CoolTouch door	•
Full extension telescopic	•
Non-tip shelves	•
Spill containment	5/8 gallon

Warranty

Parts and labor	2 years
-----------------	----------------

SKU	81301
-----	-------

The product dimensions and specifications in this page apply to the specific product and model. Under our policy of continuous improvement, these dimensions and specifications may change at any time. You should therefore check with Fisher & Paykel's Customer Care Centre to ensure this page correctly describes the model currently available. Â© Fisher & Paykel Appliances Ltd 2019.

Other product downloads available at fisherpaykel.com



User Guide



Service & Warranty Booklet



Installation Guide



A PEACE OF MIND SALE

24 Hours 7 Days a Week Customer Support

T 1300 650 590 **W** www.fisherpaykel.com