

Induction Range, 36", 5 Zones with SmartZone, Self-cleaning

Series 9 | Contemporary

Stainless Steel with Black Glass



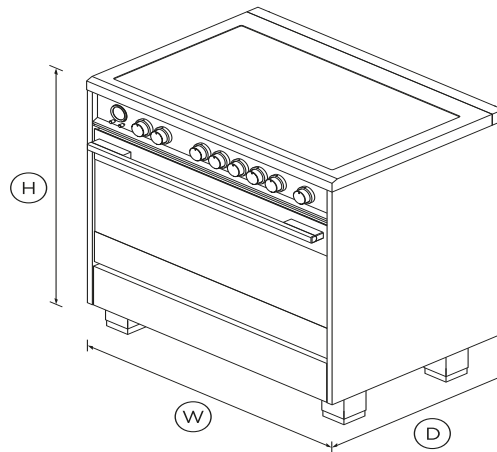
With large oven and cooktops that can be paired to create an expansive cook zone, this is a range made for those who love to cook.

- Five induction cooking zones, which can be joined to form SmartZones
- Convection oven with 4.9 cu.ft total capacity, nine oven functions including Roast, Aero Pastry™ with pizza mode and rapid proof for baking bread
- Non-tip full-extension shelves for safe removal of hot dishes

- High-temperature self-cleaning function breaks down food residue for an easy clean

DIMENSIONS

Height	35 ³ / ₄ - 37 ¹ / ₄ "
Width	35 ⁷ / ₈ "
Depth	25 ¹ / ₄ "



FEATURES & BENEFITS

Multi-shelf cooking

Our AeroTech™ system circulates air evenly throughout the entire oven so dishes on the top shelf turn out just as perfect as food cooking on the bottom shelf.

Quality and durability

Every detail has been carefully crafted. The solid, perfectly

balanced soft-close door, durable cooktop and glowing halo dials all add up to an exceptional, premium range.

Power & control

Instant and immediate control from the highest to the gentlest heat. The finely tuned cooktop controls let you sear, stir fry or simmer a delicate sauce to perfection.

Easy to clean

Cleaning up spills is effortless. Your cooktop simply needs a quick wipe to keep it looking good as new. The self-clean function breaks down food residue at a very high temperature, leaving a light ash that's easily removed with a damp cloth.

Even heat

Accurate, electronically-controlled oven heat ensures a great result every time.

Large capacity oven

The generous 4.9 cu.ft total capacity oven gives you plenty of space to cook multiple dishes at once.

SPECIFICATIONS

Accessories

2-pc grill system (Broil pan and	•
Broil pan	•
Full Extension Telescopic	2 sets (part 578744)
Grill rack	•
Hob rear trim (optional)	3 1/8" (part 81654)
Kick strip, stainless steel	Part 81659
Pyrolytic proof shelf runners	•

Capacity

Shelf positions	7
Total capacity	4.9cu ft

Cleaning		Combined Warming/Storage	•	Power requirements	
Acid resistant graphite enamel	•	Concealed element	•	Amperage	45A
Drop down grill element	•	Electronic oven control	•	Supply frequency	60Hz
Flat easy clean glass surface	•	Full extension telescopic	2 sets (part 578744)	Supply voltage	208 - 240V
Pyrolytic proof shelf runners	•	Internal light	4 x 25W halogen (2 side & 2	<hr/>	
Pyrolytic self-clean	•	Pyrolytic proof shelf runners	•	Product dimensions	
Removable oven door	•	Pyrolytic self-clean	•	Depth	25 1/4 "
Removable shelf runners	•	Self cleaning	•	Height	35 3/4 - 37 1/4 "
<hr/>		Soft open/close door	•	Installation cutout dimensions	25 1/4 "
Controls		True Convection	•	Installation cutout dimensions	36 "
Audio feedback	•	Twin cavity fans	•	Width	35 7/8 "
Automatic cooking/minute	•	Warming drawer	220W	<hr/>	
Automatic pre-set	•	Oven functions		Rangetop features	
Celsius/Fahrenheit	•	Aero™ Bake	•	Auto heat reduce	•
Electronic clock	•	Aero™ Pastry with Pizza mode	•	Dual zones	•
High resolution display	•	Bake	•	Gentle heat	3 settings (108°F, 149°F,
Interior light	•	Broil	•	Heat settings	9
Laser etched graphics	•	Maxi Broil	•	Hob rear trim	3
Precise electronic temperature	•	Number of functions	9	Induction cooking technology	•
Sabbath mode	•	Pyrolytic self-clean	•	Number of cooking zones	5
Toughened fused glass	•	Rapid proof	•	PowerBoost	up to 5500W
Turned stainless steel clock	•	Roast	•	PowerBoost all zones	up to 5500W
Turned stainless steel clock	•	Self-clean	•	SmartZone	•
Turned stainless steel clock dial	•	<hr/>		Zone bridging	•
Turned stainless steel dials with	•	Oven performance		<hr/>	
<hr/>		Broil	4300W	Rangetop Performance	
Oven features		Combined warming/Storage	220W	Centre zone rating	1850/2600W
AeroTech™ technology	•	CoolTouch door	•	Left front zone rating	2100W/3700W
Automatic rapid pre-heat	•	Warming drawer	220W	Left rear zone rating	2100W/3700W

Number of cooking zones	5
PowerBoost	•
PowerBoost all zones	up to 5500W
Right front zone rating	2100W/3700W
Right rear zone rating	2100W/3700W

currently available. Å© Fisher & Paykel Appliances Ltd 2019.



A PEACE OF MIND SALE

24 Hours 7 Days a Week Customer Support

T 1300 650 590 W www.fisherpaykel.com

Safety

Advanced cooling system	•
Anti-tilt bracket	•
Balanced oven door	•
Catalytic venting system	•
Child lock	•
CoolTouch door	•
Full extension telescopic	•
Non-tip shelves	•
Pan detection system	•
Safety time out	•
Spill containment	3/8 gallon
Spillage auto off	•
Surface hot indicators	•

Warranty

Parts and labor	2 years
-----------------	----------------

SKU	81310
-----	-------

The product dimensions and specifications in this page apply to the specific product and model. Under our policy of continuous improvement, these dimensions and specifications may change at any time. You should therefore check with Fisher & Paykel's Customer Care Centre to ensure this page correctly describes the model