

QUICK REFERENCE GUIDE

RF135BDLUX4 & RF135BDRUX4

ACTIVESMART™ REFRIGERATOR - 13.5 CU. FT. COUNTER DEPTH BOTTOM FREEZER WITH ICE & WATER



This compact refrigerator has been designed for what you use most often. The upper refrigerator enables easy access to everyday items and includes ergonomic storage bins and glass shelves that can be configured to suit every lifestyle. The lower drawer-based freezer ensures that longer-term storage items are just as easy to access.



A PEACE OF MIND SALE

24 Hours 7 Days a Week Customer Support

T 1.888.936.7872 W fisherpaykel.com

FEATURES & BENEFITS

Fresher Food for Longer	ActiveSmart™ Foodcare helps keep your food fresher for longer by constantly monitoring your refrigerator and adapting to maintain a controlled environment and optimum temperature.
Designed to Match	The high quality stainless steel, unique surround kits, black finish and the chrome strip detail of the slimline water dispenser, all reflect the styling of our family of kitchen appliances.
Easy Living	These refrigerators adapt to suit your lifestyle by streamlining food preparation and organization with SmartTouch controls, flexible shelving and storage options and slide out bins and trays.
Easy Cleaning	Removable, spill safe glass shelves are easy to clean and contain drips and spills. Storage bins and EZKleen stainless steel doors just need a wipe to keep spotless.
Efficient	ActiveSmart™ refrigerators intelligently adapt to daily use to save energy, cooling and defrosting only when they need to without compromising on food care.
Design	Counter depth construction and concealed hinges and deliver a seamless and stylish touch to your kitchen.
Ultra Slim Water Dispenser	The slimline water dispenser is easy to use - the angled water delivery means that almost any size or shape of vessel can be filled, without losing storage space in your refrigerator door.
Internal Ice Maker	The internal ice maker delivers fresh ice into a dedicated freezer bin that can be easily customized to store different volumes. Ice Boost mode allows you to temporarily increase ice production by up to 30%.
SKU Code	24253 (left hinge), 24254 (right hinge)
UPC Code	822843240685 (left hinge), 822843240708 (right hinge)

SPECIFICATIONS

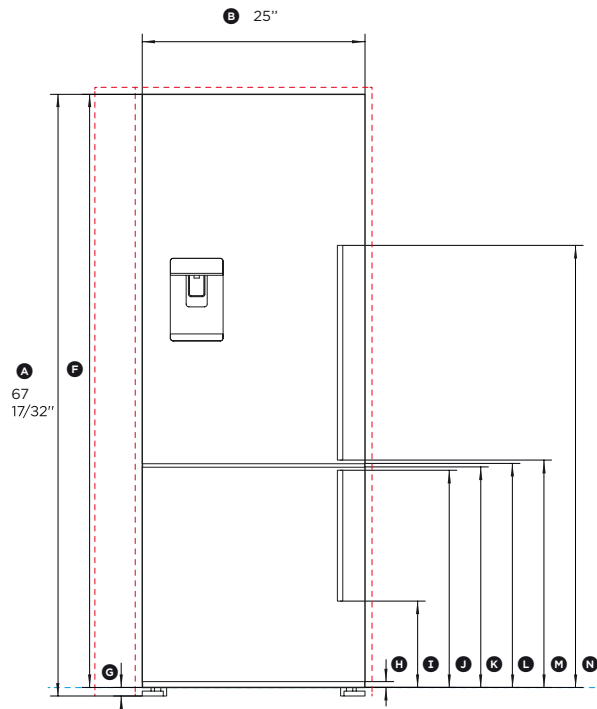
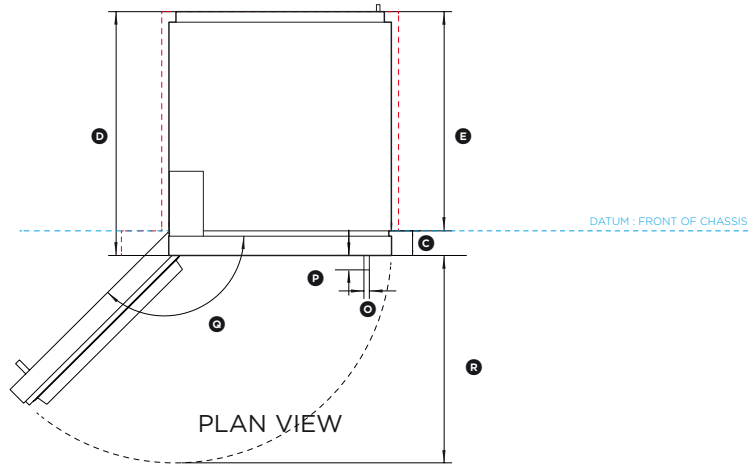
Finish	EZKleen stainless steel, flat door
Dimensions (excluding handles)	H67 17/32" x W25" x D27 3/8"
Capacity	
Refrigerator	9.6 cu. ft.
Freezer	3.8 cu. ft.
Total	13.4 cu. ft.
Energy usage (kWh per year)	545
Performance	
ActiveSmart™ Foodcare	●
Humidity control system	●
Refrigerator	
Ultra slim water dispenser	●
SmartTouch control panel	●
Door alarm	●
Adjustable glass shelves	2
LED light	●
Freezer	
Built-in ice maker	●
Door alarm	●
Accessories	
Water filter	Part number 836848
Stainless steel surround kit:	
(L-hand hinge)	Part number 24468
(R-hand hinge)	Part number 24469
Joiner kit	Part number 819264
Warranty	
Parts & labor	2 years
Additional sealed system parts	3 years

For full specifications visit fisherpaykel.com

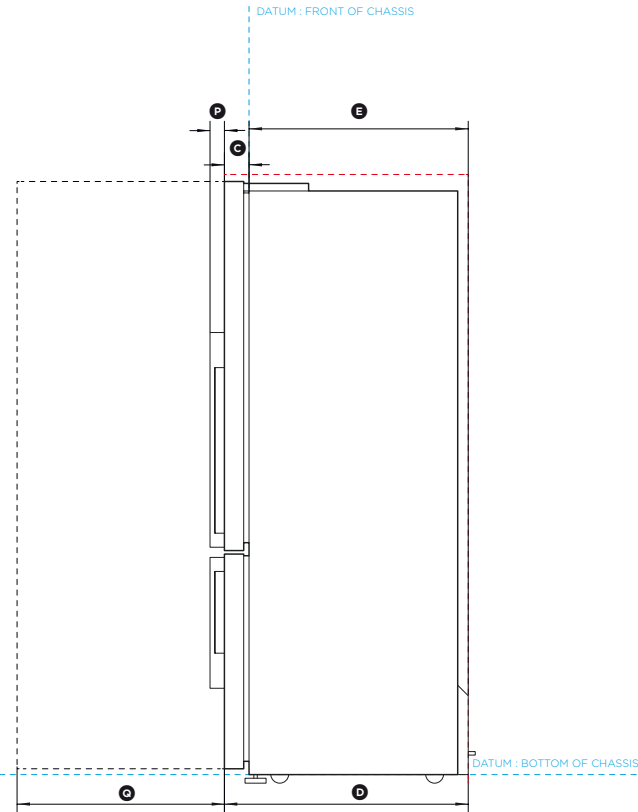
Fisher & Paykel

DATA SHEET

25" ACTIVEMART™ FRIDGE-BOTTOM FREEZER



FRONT VIEW



PROFILE VIEW

Model no:

RF135BDLUX4

Product Dimensions	in
Ⓐ Overall height* of fridge	67 17/32"
Ⓑ Overall width of fridge	25"
Ⓒ Depth of fridge door and gasket (excludes handle)	2 3/4"
Ⓓ Depth of fridge door and chassis (excludes handle)	27 3/8"
Ⓔ Depth of fridge chassis (does not include fridge door)	24 19/32"
Ⓕ Height from bottom datum to top of fridge door	66 9/16"
Ⓖ Height of feet (adjustable)	15/16"
Ⓗ Height from bottom datum to bottom of bottom door	21/32"
Ⓘ Height from bottom datum to bottom of bottom handle	9 11/16"
Ⓚ Height from bottom datum to top of bottom handle	24 3/8"
Ⓛ Height from bottom datum to top of bottom door	24 3/4"
Ⓜ Height from bottom datum to bottom of top door	25 5/32"
Ⓝ Height from bottom datum to bottom of top handle	25 1/2"
Ⓞ Height from bottom datum to top of top handle	49 19/32"
Ⓟ Width of handle	19/32"
Ⓠ Depth of handle (measured from front of door)	1 5/8"
Ⓡ Depth of door (open at 90°) (measured from front of door)	23 9/32"
Ⓢ Rotation of door (open) (measured from front of door)	135°

* Includes mounted feet

Minimum Clearances	in
Minimum height of cavity	68 5/16"
Minimum side clearance installed flush with chassis	25/32"
Side clearance (hinge side) - installed flush with door - full rotation	5 5/16"
Rear clearance (including evaporator tray)	1 3/16"

INDICATES PRODUCT DATUM -----
 INDICATES MINIMUM CABINETRY CLEARANCES - - - - -

DATE: 24.11.2014

IMPORTANT NOTE: Throughout this guide, dimensions may vary by ±2mm (3/32"). Please read the installation manual for detailed information on installing the product. www.fisherpaykel.com