

Freestanding Refrigerator Freezer, 32", 17.5 cu ft, Ice & Water

Series 7 | contemporary

Stainless Steel | Left Hinge

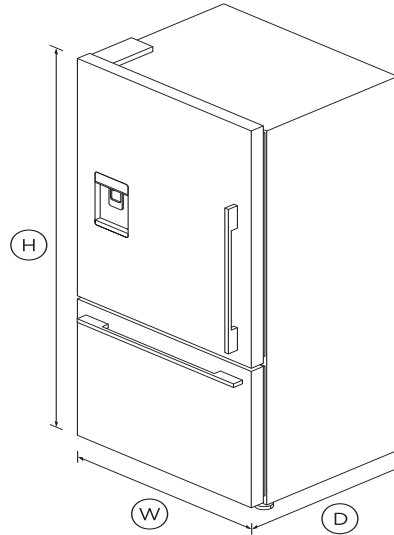


This stylish left hinge refrigerator has a large capacity and comes in timeless stainless steel.

- ActiveSmart™ technology helps keep food fresher for longer by constantly maintaining the ideal temperature
- Door water dispenser and internal ice maker
- Spacious bottom freezer with full extension drawer gives easy access to frozen goods

DIMENSIONS

Height	67 ¹⁷ / ₃₂ "
Width	31 ³ / ₃₂ "
Depth	27 ³ / ₈ "



FEATURES & BENEFITS

ActiveSmart™ Foodcare

<>

Easy cleaning

No more permanent dirty marks with our EZKleen feature for stainless steel refrigerators. Anti-fingerprint coating means you simply wipe clean any marks. Spill-safe secure glass shelves easily capture any drips or leaks.

Design quality

Our refrigerators are designed and built using quality materials. We use real stainless steel on our refrigerators and solid glass for shelving.

Water on tap

The slimline dispenser makes it easy to fill almost any sized jug or vessel with cool filtered water and doesn't take up any storage space in your refrigerator.

Ice maker

Fresh ice is always available for you in a dedicated freezer bin. Simply turn it off to free up freezer space or during busy times, you can boost ice production by up to 30%.

SPECIFICATIONS

Accessories

Contemporary round handle kit	Part number 25379
Joiner kit	Part number 819264
Matching Replacement Water	Model number 836848
Surround Kit (Joined left/right)	Part number 24476
Surround Kit (Right Hand)	Part number 24475

Capacity

Freezer	4.8cu ft
Refrigerator	12.3cu ft
Total	17.1cu ft

Consumption

Energy star certified	Yes
Energy usage	535kWh/year

Freezer features

Automatic ice maker	•
---------------------	---

Bottle chill	•	Fruit and vegetable bins	2
Built-in ice maker	•	SmartTouch control panel	•
Fast freeze	•	Stackable bottle holders	2
Frost free freezer	•	Ultra slim water dispenser	•
Ice Boost	•		
Ice bin and scoop	•		
Large plastic bin	•		
Large plastic bins	•		
Small plastic bins	2		

Performance

ActiveSmart™ Foodcare	•
ActiveSmart™ technology	•
Adaptive defrost	•
Frost free freezer	•
Humidity control system	•
Sabbath mode	•

Product dimensions

Depth	27 ³ / ₈ "
Height	67 ¹⁷ / ₃₂ "
Minimum air clearance - at rear	1-3 ¹ / ₁₆ "
Minimum air clearance - each	13 ¹ / ₁₆ "
Width	31 ³ / ₃₂ "

Refrigerator features

Adjustable door shelves	4
Adjustable glass shelves	4
Covered door shelves	2
Door alarm	•






Warranty

Parts and labor	2 years
Sealed system parts only	5 years

SKU 25067

The product dimensions and specifications in this page apply to the specific product and model. Under our policy of continuous improvement, these dimensions and specifications may change at any time. You should therefore check with Fisher & Paykel's Customer Care Centre to ensure this page correctly describes the model currently available. © Fisher & Paykel Appliances Ltd 2019.

Other product downloads available at fisherpaykel.com

-  [User Guide](#)
-  [Service & Warranty Booklet](#)
-  [Installation Guide](#)
-  [Installation Guide \(Quick Reference\)](#)
-  [Resources \(zip\)](#)



A PEACE OF MIND SALE
24 Hours 7 Days a Week Customer Support
T 1300 650 590 W www.fisherpaykel.com