

# Freestanding Refrigerator Freezer, 32", 17.5 cu ft, Ice & Water

Series 7 | contemporary

Stainless Steel | Left Hinge

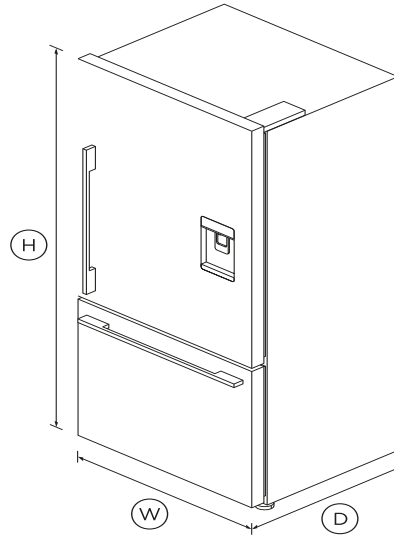


This stylish right hinge refrigerator has a large capacity and comes in timeless stainless steel.

- ActiveSmart™ technology helps keep food fresher for longer by constantly maintaining the ideal temperature
- Door water dispenser and internal ice maker
- Spacious bottom freezer with full extension drawer gives easy access to frozen goods

## DIMENSIONS

Height	67 <sup>17</sup> / <sub>32</sub> "
Width	31 <sup>3</sup> / <sub>32</sub> "
Depth	27 <sup>3</sup> / <sub>8</sub> "



## FEATURES & BENEFITS

### ActiveSmart™ Foodcare

Every time you open your refrigerator, the temperature around your food changes. ActiveSmart™ foodcare adjusts airflow to create a stable temperature, helping your food stay fresher for longer.

### Easy cleaning

No more permanent dirty marks with our EZKleen feature for stainless steel refrigerators. Anti-fingerprint coating means you simply wipe clean any marks. Spill-safe secure glass shelves

easily capture any drips or leaks.

### Design quality

Our refrigerators are designed and built using quality materials. We use real stainless steel on our refrigerators and solid glass for shelving.

### Water on tap

The slimline dispenser makes it easy to fill almost any sized jug or vessel with cool filtered water and doesn't take up any storage space in your refrigerator.

### Ice maker

Fresh ice is always available for you in a dedicated freezer bin. Simply turn it off to free up freezer space or during busy times, you can boost ice production by up to 30%.

## SPECIFICATIONS

### Accessories

Contemporary round handle kit	Part number 25379
Joiner kit	Part number 819264
Matching Replacement Water	Model number 836848
Surround Kit (Joined left/right)	Part number 24476
Surround Kit (Right Hand)	Part number 24475

### Capacity

Freezer	4.8cu ft
Refrigerator	12.3cu ft
Total	17.1cu ft

### Consumption

Energy star certified	Yes
Energy usage	535kWh/year

**Freezer features**

Automatic ice maker	•
Bottle chill	•
Built-in ice maker	•
Fast freeze	•
Frost free freezer	•
Ice Boost	•
Ice bin and scoop	•
Large plastic bin	•
Large plastic bins	•
Small plastic bins	2

Covered door shelves	2
Door alarm	•
Fruit and vegetable bins	2
SmartTouch control panel	•
Stackable bottle holders	2
Ultra slim water dispenser	•

**Warranty**

Parts and labor	2 years
Sealed system parts only	5 years

**Performance**

ActiveSmart™ Foodcare	•
ActiveSmart™ technology	•
Adaptive defrost	•
Frost free freezer	•
Humidity control system	•
Sabbath mode	•

SKU 25069

The product dimensions and specifications in this page apply to the specific product and model. Under our policy of continuous improvement, these dimensions and specifications may change at any time. You should therefore check with Fisher & Paykel's Customer Care Centre to ensure this page correctly describes the model currently available. © Fisher & Paykel Appliances Ltd 2019.

**Product dimensions**

Depth	27 <sup>3</sup> / <sub>8</sub> "
Height	67 <sup>17</sup> / <sub>32</sub> "
Minimum air clearance - at rear	1- <sup>3</sup> / <sub>16</sub> " "
Minimum air clearance - each	<sup>13</sup> / <sub>16</sub> " "
Width	31 <sup>3</sup> / <sub>32</sub> "

**Refrigerator features**

Adjustable door shelves	4
Adjustable glass shelves	4

**Other product downloads available at fisherpaykel.com**

- [↓](#) User Guide
- [↓](#) Service & Warranty Booklet
- [↓](#) Installation Guide
- [↓](#) Installation Guide (Quick Reference)
- [↓](#) Resources (zip)



**A PEACE OF MIND SALE**  
**24 Hours 7 Days a Week Customer Support**  
**T 1300 650 590 W www.fisherpaykel.com**