

Freestanding Refrigerator Freezer, 32", 17.5 cu ft

Series 7 | contemporary

Stainless Steel | Left Hinge

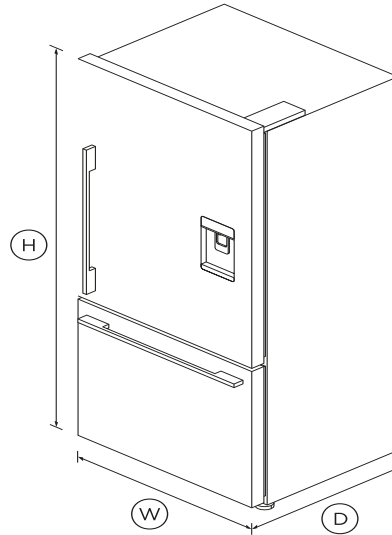


This stylish right hinge refrigerator has a large capacity and comes in timeless stainless steel.

- ActiveSmart™ technology helps keep food fresher for longer by constantly maintaining the ideal temperature
- Spacious bottom freezer with full extension drawer gives easy access to frozen goods

DIMENSIONS

Height	67 ¹⁷ / ₃₂ "
Width	31 ³ / ₃₂ "
Depth	27 ³ / ₈ "



FEATURES & BENEFITS

ActiveSmart™ Foodcare

ActiveSmart™ Foodcare learns how you live. It's technology which understands how you use your fridge and adjusts temperature, airflow and humidity inside to help keep food fresher for longer.

Easy cleaning

No more permanent dirty marks with our EZKleen feature for stainless steel refrigerators. Anti-fingerprint coating means you simply wipe clean any marks. Spill-safe secure glass shelves

easily capture any drips or leaks.

Design quality

Our refrigerators are designed and built using quality materials. We use real stainless steel on our refrigerators and solid glass for shelving.

Simple storage

There are multiple storage options for you to choose from. Different sized adjustable shelves and door storage give you plenty of room to stack and pack all your groceries. Storage bins give you full access inside when they're pulled open and can be easily removed to clean.

Clever energy

Your refrigerator adapts to daily use by cooling and defrosting only when needed. This means your refrigerator uses the energy it needs without compromising on food care.

SPECIFICATIONS

Accessories

Contemporary round handle kit	Part number 25379
Joiner kit	Part number 819264
Surround Kit (Joined left/right	Part number 24476
Surround Kit (Right Hand)	Part number 24475

Capacity

Freezer	4.8cu ft
Refrigerator	12.3cu ft
Total	17.1cu ft

Consumption

Energy star certified	Yes
Energy usage	452kWh/year

Freezer features

Bottle chill	•
Fast freeze	•
Frost free freezer	•
Ice tray	1
Large plastic bin	•
Large plastic bins	•
Small plastic bins	2

Performance

ActiveSmart™ Foodcare	•
ActiveSmart™ technology	•
Adaptive defrost	•
Frost free freezer	•
Humidity control system	•
Sabbath mode	•

Product dimensions

Depth	27 ³ / ₈ "
Height	67 ¹⁷ / ₃₂ "
Minimum air clearance - at rear	1- ³ / ₁₆ " "
Minimum air clearance - each	¹³ / ₁₆ " "
Width	31 ³ / ₃₂ "

Refrigerator features

Adjustable door shelves	4
Adjustable glass shelves	4
Covered door shelves	2
Door alarm	•

Fruit and vegetable bins	2
SmartTouch control panel	•
Stackable bottle holders	2






Warranty

Parts and labor	2 years
Sealed system parts only	5 years

SKU 25070

The product dimensions and specifications in this page apply to the specific product and model. Under our policy of continuous improvement, these dimensions and specifications may change at any time. You should therefore check with Fisher & Paykel's Customer Care Centre to ensure this page correctly describes the model currently available. © Fisher & Paykel Appliances Ltd 2019.

Other product downloads available at fisherpaykel.com

-  [User Guide](#)
-  [Service & Warranty Booklet](#)
-  [Installation Guide](#)
-  [Installation Guide \(Quick Reference\)](#)
-  [Resources \(zip\)](#)



A PEACE OF MIND SALE

24 Hours 7 Days a Week Customer Support

T 1300 650 590 W www.fisherpaykel.com