

Dual Fuel Range, 48", 4 Burners, 4 Induction Zones, Self-cleaning, LPG

Series 9 | Professional

Stainless Steel with Black Glass | LPG



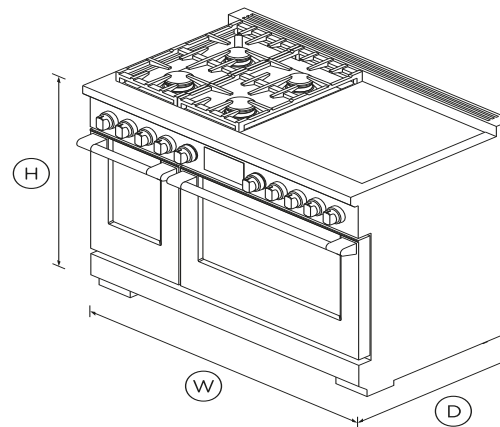
With both induction and gas cooktops and two convection ovens, you're ready to create a feast - guided by an intuitive touchscreen.

- Guided cooking using your touchscreen makes it simple to cook by food, function or recipe.
- Top burner heat of 19,000 BTU, for seriously fast boiling
- Four induction cooking zones, which can be paired to form two SmartZones

- 6.9 cu ft total oven capacity across two oven cavities

DIMENSIONS

Height	35 ³ / ₄ - 36 ³ / ₄ "
Width	47 ⁷ / ₈ "
Depth	29 ¹ / ₈ "



FEATURES & BENEFITS

Cook with confidence

Our touchscreen interface provides an intuitive guided cooking experience that helps deliver perfect results, whether you've been cooking all your life or just starting out. Cook with a favorite method, a hero ingredient, or a go-to cooking function or recipe. The screen tilts for improved ergonomics and optimal visibility while cooking.

SPECIFICATIONS

Accessories

Square handle option	AH-R48
----------------------	--------

Capacity

Total capacity	6.9cu ft
----------------	----------

Cleaning

Dishwasher proof trivets	•
Pyrolytic self-clean	•

Controls

High resolution display	•
Metal illuminated dials	•
Sabbath mode	•
Wifi connectivity	•

Gas requirements

Fitting and pipe	½ NPT, min. ⅝" Ø flex
Supply Pressure (LPG)	11" to 14" W.C

Main oven features

Bake	•
Clean	•
Convection Bake	•
Convection Broil	•
Large broil pan	•
Main oven- Self cleaning	•

Main oven- True convection	•
Number of main oven functions	15

Supply frequency	60Hz
Supply voltage	120 - 240V

PowerBoost all zones	up to 3700W
Right front zone rating	2100W/3700W
Right rear zone rating	2100W/3700W
Total cooktop power	58000BTU

Oven features

Concealed element	•
Electronic oven control	•
Full extension telescopic	2
Internal light	•
Pyrolytic self-clean	•
True Convection	•

Product dimensions

Depth	29 1/8 "
Depth (Excluding handles)	29 1/8 "
Height	35 3/4 - 36 3/4 "
Height (excluding vent trim)	35 3/4 - 36 3/4 "
Width	47 7/8 "

Safety

Pan detection system	•
Safety time out	•
Surface hot indicators	•

Oven functions

Pyrolytic self-clean	•
----------------------	---

Rangetop features

Gentle heat	3 settings (111°F, 158°F, 201°F)
Heat settings	9
Induction cooking technology	•
PowerBoost all zones	up to 3700W
Sealed Dual Flow Burners™	4
Simmer on all burners	140°F
SmartZone	2
Vent trim included	Flat vent trim
Zone bridging	•

Secondary Oven features

Bake	•
Convection Bake	•
Convection Broil	•
Secondary oven functions	11

Oven performance

Main Oven Shelf Positions	5
Main Oven Total Capacity	4.8cu ft
Main Oven Usable Capacity	3.8cu ft
Main oven- Bake	4600W
Main oven- Broil	4000W
Main oven- True convection	2500W
Secondary Oven- Bake	2450W
Secondary Oven- Broil	3600W
Secondary Oven- Capacity	2.1cu ft
Secondary Oven- Capacity	1.8cu ft
Secondary Oven- Shelf	5

Rangetop Performance

Left front zone rating	2100W/3700W
Left rear zone rating	2100W/3700W
Max burner power	19000BTU
Power back left	13000BTU
Power back right	13000BTU
Power front left	19000BTU
Power front right	13000BTU
PowerBoost	•

Warranty

Parts and labor	Limited 2 Years Parts & Labor
-----------------	-------------------------------

SKU	81891
-----	-------

The product dimensions and specifications in this page apply to the specific product and model. Under our policy of continuous improvement, these dimensions and specifications may change at any time. You should therefore check with Fisher & Paykel's Customer Care Centre to ensure this page correctly describes the model currently available. © Fisher & Paykel Appliances Ltd 2019.

Power requirements

Electric circuit	4 wire
Rated current	50A



A PEACE OF MIND SALE

24 Hours 7 Days a Week Customer Support

T 1300 650 590 W www.fisherpaykel.com