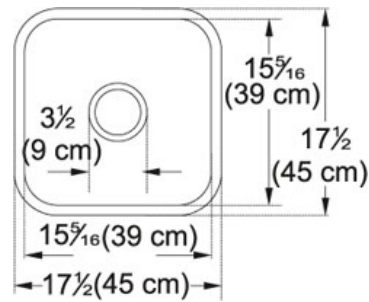


# SPECIFICATION SHEET

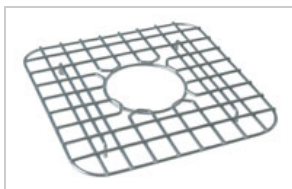
PRODUCT FAMILY: Sinks FINISH: Fireclay White SERIES: CISTERNA MODEL: CCK110-15



## Product Information

<b>FUN#</b>	126.0066.141
<b>US Part Number</b>	CCK110-15WH
<b>Minimum Cabinet Size</b>	21"
<b>Drain Opening</b>	3 1/2"
<b>Outer Dimensions</b>	17 1/2"x17 1/2"x8 5/8"
<b>Bowl Size</b>	15 5/16"x15 5/16"x7 7/8"
<b>Number of Bowls</b>	1
*	Dimensions may vary by 2% (plus or minus) due to material attributes and firing process **Installation of this fireclay product requires custom cabinetry. Franke recommends that an experienced cabinet maker build the new cabinet, or is responsible for modifications to existing cabinets for this product.
<b>Type of Material</b>	Fireclay

### Accessories



112.0066.222

### Suggested Products



115.0195.026