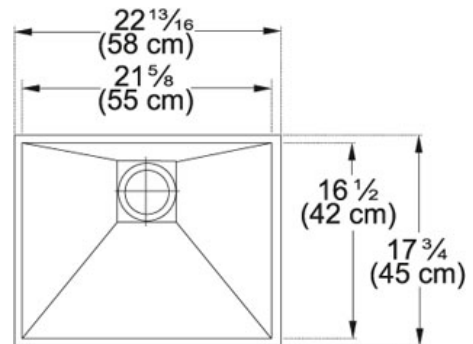


SPECIFICATION SHEET

PRODUCT FAMILY: **Sinks** FINISH: **Stainless Steel** SERIES: **PEAK** MODEL: **PKX11021**



Product Information

FUN#	122.0074.956
US Part Number	PKX11021
Franke Integral Ledge	built-in
Minimum Cabinet Size	24"
Drain Opening	3 1/2"
Outer Dimensions	23 13/16"x17 3/4"
Bowl Size	21 5/8"x16 1/2"x9 7/8"
Number of Bowls	1
Type of Material	Stainless Steel

Accessories



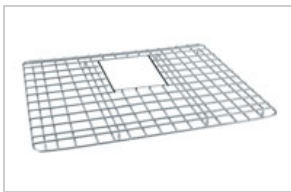
112.0039.150



112.0066.060



112.0079.835



112.0173.262



112.0173.264

Suggested Products



115.0251.992



119.0066.616



119.0197.313



120.0296.741



133.0171.120



134.0297.202