

FFBN1721TV

4-DOOR REFRIGERATOR

17.4 CU. FT. STANDARD-DEPTH



AVAILABLE COLORS



Stainless
Look

PRODUCT DIMENSIONS

Height (Including Hinges & Rollers)	70"
Width (Doors)	32-13/16"
Depth (Including Door)	29-1/8"

MORE EASY-TO-USE FEATURES

Crisper Drawers

2 Store-More™ crisper drawers for all of your fresh fruits and vegetables.

Easy Access Control Panel

Adjust your refrigerator and freezer settings easily from the exterior refrigerator door.

LED Interior Light

LED lighting throughout the refrigerator for better visibility.

Preserve Freshness

TwinTech dual evaporators help preserve the freshness of your refrigerated and frozen foods.

SIGNATURE FEATURES

4-Door Design

New four-door design allows you to organize and store your fresh and frozen foods to easily find what you need and makes mealtime a breeze.

Adjustable Glass Shelves

Organize and customize your refrigerator for your family's needs with 2 SpaceWise® adjustable glass shelves.

Adjustable Freezer Storage

Maximize your freezer storage space, easily organize and find frozen foods with 4 pull-out freezer bins and 2 pull-out freezer drawers.

Store-More™ Bins

Our bins are designed to store more, so you can fit gallon size beverages.

FFBN1721TV 4-DOOR REFRIGERATOR

17.4 CU. FT. STANDARD-DEPTH

FRIGIDAIRE

FEATURES

Door Design	Flat
Door Handle Design	Recessed Color-Coordinated
Cabinet Finish	Textured
Door Stops	Yes
Door Hinge Covers	Grey
Rollers - Front/Rear	Yes/Yes
Energy Saver Plus Technology	
Water Filter Location	
Sound Package	

CONTROL FEATURES

Controls	White LED Digital
Control Panel Location	Top-Right Door, Front
Number of Control Buttons	4
Ice Option/Freeze Option	Quick Chill/Quick Freeze
Display On/Off Option	
Lock	Yes
Temp/Door Ajar/Power Failure Alerts	No/Yes/No
Water Filter Change Indicator Light	
Air Filter Change Indicator Light	

REFRIGERATOR FEATURES

Lighting	LED
Water Filter Type	
Air Filter Type	
Full-Width Adjustable Shelves	2 SpaceWise® Glass
Cantilever Shelves	
Store-More™ Crisper Drawers	2 Clear
Humidity Controls	
Store-More™ Fixed Door Bins	
2-Liter Fixed Door Bins	
Gallon Adjustable Door Bins	2 Clear
2-Liter Adjustable Door Bins	
Non-Slip Bin Liner/Bottle Retainers	

FREEZER FEATURES

Pull-Out Freezer Bins	4 Clear
Removable Drawers	2 Clear
Lighting	
Ice Maker	

SPECIFICATIONS

Total Capacity (Cu. Ft.)	17.4
Refrigerator Capacity (Cu. Ft.)	11.9
Freezer Capacity (Cu. Ft.)	5.5
Power Supply Connection Location	Right Bottom Rear
Water Inlet Connection Location	
Voltage Rating	115V/60Hz
Connected Load (kW rating) @ 115 Volts ¹	1.02
Amps @ 115 Volts	8.5
Minimum Circuit Required (Amps)	20
Shipping Weight (Approx.)	253 Lbs.

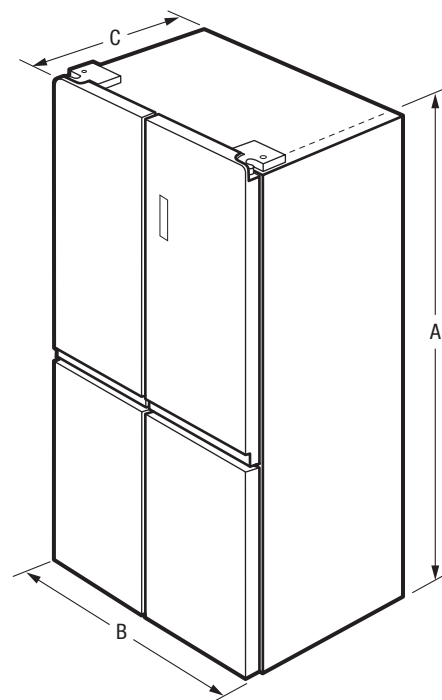
¹For use on adequately wired 120V, dedicated circuit having 2-wire service with a separate ground wire. Appliance must be grounded for safe operation.

PRODUCT DIMENSIONS

A - Height (Including Hinges & Rollers)	70"
B - Width	32-13/16"
C - Depth (Including Door)	29-1/8"
Depth with Door Open 90°	42-7/8"

"BUILT-IN LOOK" CUTOUT DIMENSIONS

Height (Including Hinges and Rollers)	70-1/4"
Width	33"
Depth	25"



Note: For planning purposes only. Always consult local and national electric, gas and plumbing codes. Refer to Product Installation Guide for detailed installation instructions on the web at frigidaire.com / frigidaire.ca. Specifications subject to change. Accessories information available on the web at frigidaire.com / frigidaire.ca

FRIGIDAIRE

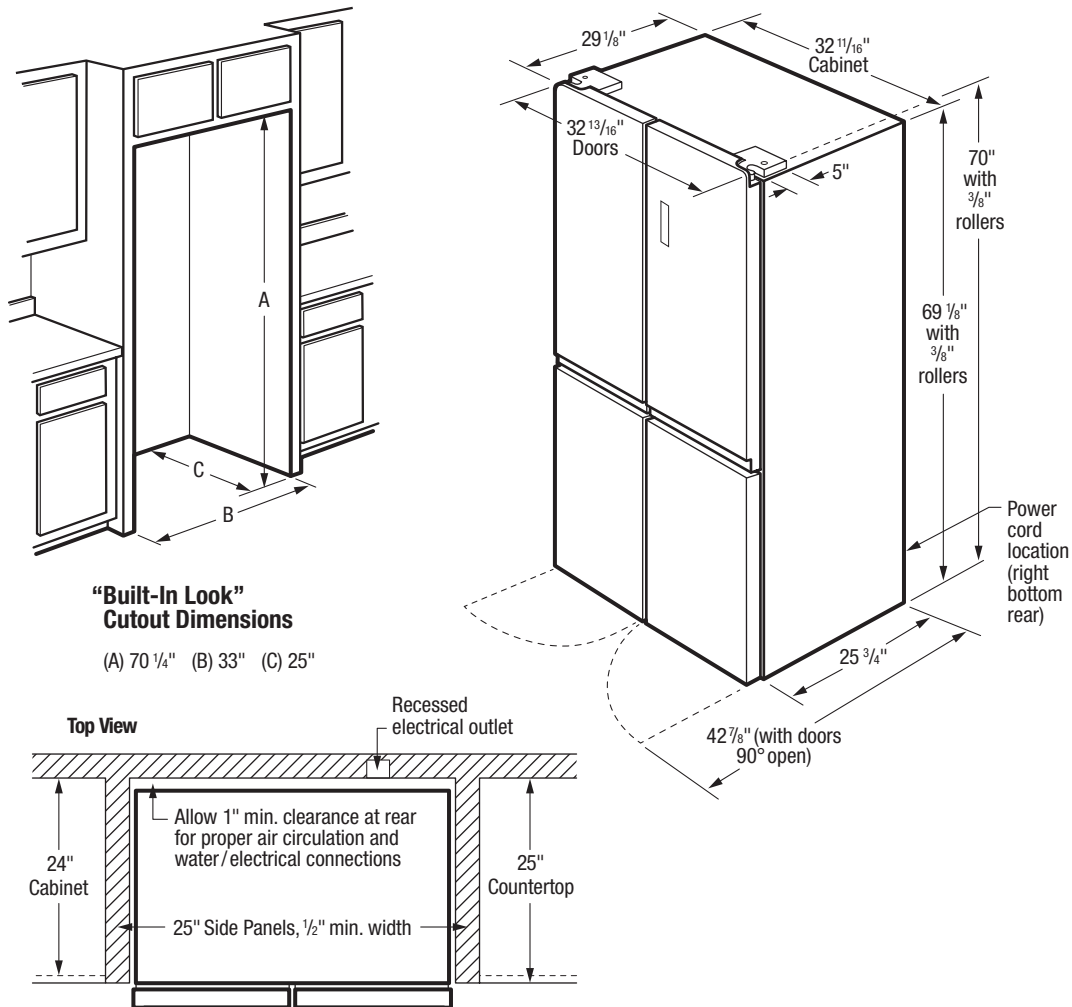
USA • 10200 David Taylor Drive • Charlotte, NC 28262 • 1-800-FRIGIDAIRE • frigidaire.com
CANADA • 5855 Terry Fox Way • Mississauga, ON L5V 3E4 • 1-800-265-8352 • frigidaire.ca

FFBN1721T 09/17
© 2017 Electrolux Home Products, Inc.

FFBN1721TV 4-DOOR REFRIGERATOR

17.4 CU. FT. STANDARD-DEPTH

FRIGIDAIRE



INSTALLATION SPECIFICATIONS

- Product Shipping Weight (approx.) – 253 Lbs.
- An electrical supply with grounded three-prong receptacle is required. The power supply circuit must be installed in accordance with current edition of National Electrical Code (NFPA 70) and local codes & ordinances.
- Voltage Rating – 115V/60 Hz
- Connected Load (kW Rating)@115 Volts = 1.02kW
- Amps @ 115 Volts = 8.5 Amps
- Always consult local and national electric & plumbing codes.
- Floor should be level surface of hard material, capable of supporting fully loaded refrigerator.
- When installing refrigerator adjacent to wall, cabinet or other appliance that extends beyond front edge of unit, 20" minimum clearance recommended to allow for optimum 120° to 180° door swing, providing complete drawer/crisper access and removal. (*Absolute 4-1/2" minimum clearance will ONLY allow for 90° door swing which will provide drawer/crisper access with restricted removal.*)

- To ensure optimum performance, avoid installing in direct sunlight or close proximity to range, dishwasher or other heat source.
- For proper ventilation, front grille MUST remain unobstructed.
- Recess electrical outlet when possible.

"BUILT-IN LOOK" SPECIFICATIONS

- Minimum opening of 70-1/4"H x 33"W x 25"D required to allow for ease of installation, proper air circulation, and electrical connections.
- Remove all wall/floor molding prior to installation.



FRIGIDAIRE

USA • 10200 David Taylor Drive • Charlotte, NC 28262 • 1-800-FRIGIDAIRE • frigidare.com
CANADA • 5855 Terry Fox Way • Mississauga, ON L5V 3E4 • 1-800-265-8352 • frigidare.ca

Note: For planning purposes only. Always consult local and national electric, gas and plumbing codes. Refer to Product Installation Guide for detailed installation instructions on the web at frigidare.com / frigidare.ca. Specifications subject to change. Accessories information available on the web at frigidare.com / frigidare.ca

FFBN1721T 09/17
© 2017 Electrolux Home Products, Inc.