

Frigidaire



Coil Range

24" Freestanding Electric Range

FFEH2422US, FFEH2422UW

Available Colors : Stainless Steel, White

Version : 03/21

Cooktop

Cooking Surface Type	Coil
Drip Bowl Type	Porcelain

Cooktop Performance

Right Front Element Burner Size	8"
Right Rear Element Burner Size	6"
Left Front Element Burner Size	6"
Left Rear Element Burner Size	8"
Right Front Element Burner	2,400 Watts
Right Rear Element Burner	1,500 Watts
Left Front Element Burner	1,500 Watts
Left Rear Element Burner	2,400 Watts

Oven

Bake System	Yes
Bake Element Type	Hidden
Bake Element Pass	4
Bake Element	1,000 Watts
Broil System	Yes
Broil Element Pass	4
Broil Element	1,650 Watts
Rack Position Type	Nickel Ladder
Number of Rack Positions	3
Rack Type 1	Flat
Rack Type 1 Quantity	2
Oven Interior Color	Midnight Black
Window Type	Extra Large Window

Drawer

Drawer Type	Storage
-------------	---------

Controls

Sabbath Mode	No
--------------	----

Display

Control Location	Front
------------------	-------

Exterior

Drawer Finish	Color Coordinated
Knob Color	Color Coordinated
Knob Material	Plastic

Dimensions and Volume

Minimum Height	35 7/8"
Maximum Height	36 7/8"
Width	23 1/2"
Depth	23 5/8"
Depth With Door 90° Open	41 1/2"
Oven Interior Height	12 7/8"
Oven Interior Width	16 3/8"
Oven Interior Depth	16.06"
Oven Capacity	1.9 Cu. Ft.

Electrical Specifications

Amps @ 240 Volts	31.3 Amps
Minimum Circuit Required	40 Amps
Voltage Rating	240 V

Installation

Power Supply Connection Location	Bottom Left
----------------------------------	-------------

General Specifications

Product Weight	123.5 lbs
Prop 65 Label	No
Warranty - Labor	1 Year
Warranty - Parts	1 Year

Certifications and Approvals

ADA Compliant	Yes
---------------	-----

Safety Certifications and Approvals

UL Listed	Yes
-----------	-----

Note: For planning purposes only. Always consult local and national electric, gas and plumbing codes.

Refer to Product Installation Guide for detailed installation instructions on the web at frigidaire.com / frigidaire.ca

Specifications subject to change. Accessories information available on the web at frigidaire.com / frigidaire.ca

USA • 10200 David Taylor Drive • Charlotte, NC 28262 • 1-800-FRIGIDAIRE • frigidaire.com

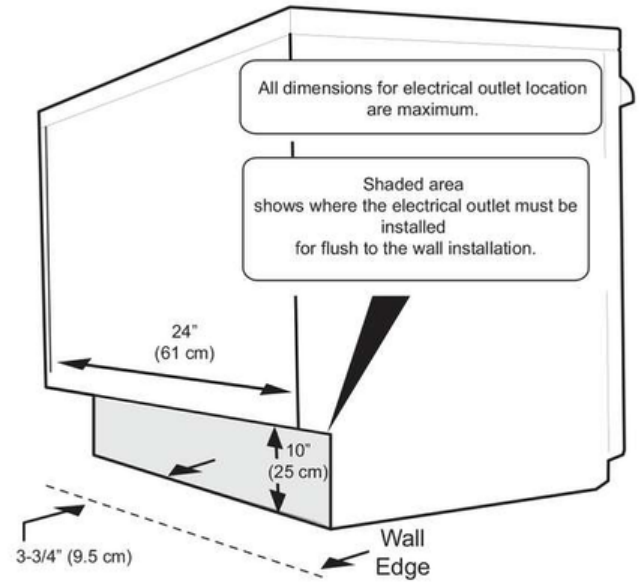
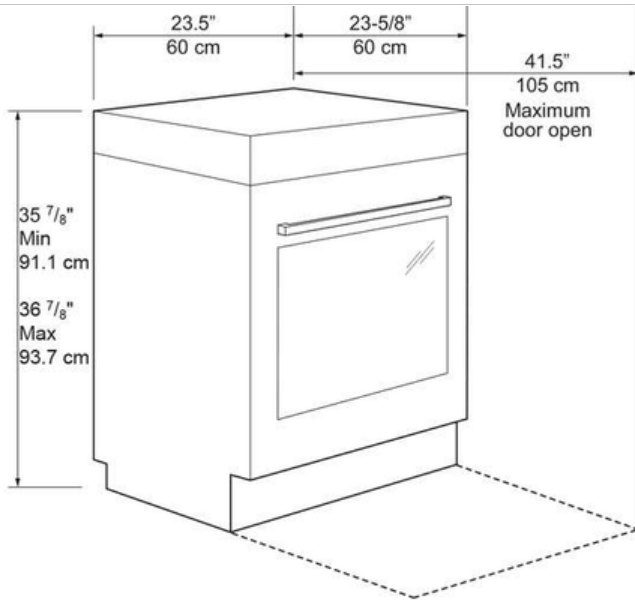
CANADA • 5855 Terry Fox Way • Mississauga, ON L5V 3E4 • 1-800-265-8352 • frigidaire.ca

Frigidaire

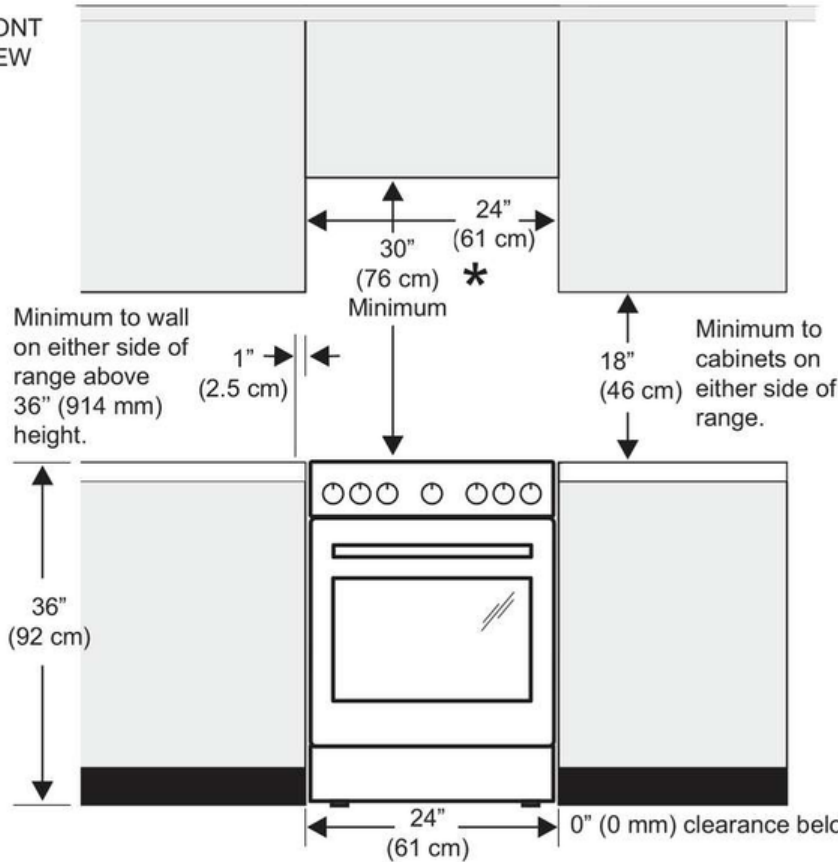
24" Freestanding Electric Range

FFEH2422US, FFEH2422UW

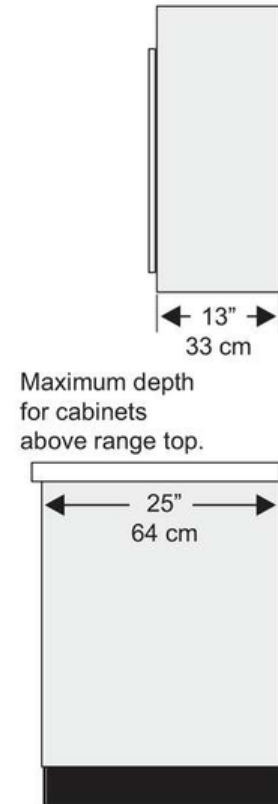
Version : 03/21



FRONT VIEW



SIDE VIEW



Note: For planning purposes only. Always consult local and national electric, gas and plumbing codes.

Refer to Product Installation Guide for detailed installation instructions on the web at frigidaire.com / frigidaire.ca

Specifications subject to change. Accessories information available on the web at frigidaire.com / frigidaire.ca

USA • 10200 David Taylor Drive • Charlotte, NC 28262 • 1-800-FRIGIDAIRE • frigidaire.com

CANADA • 5855 Terry Fox Way • Mississauga, ON L5V 3E4 • 1-800-265-8352 • frigidaire.ca