

FFGW2426U S/W/B

SINGLE WALL OVEN
24" GAS



AVAILABLE COLORS



Stainless



White



Black

PRODUCT DIMENSIONS

Height	38-7/16"
Width	23-7/8"
Depth	25-3/8"

CERTIFICATIONS

A.D.A. - Compliant

When properly installed, this model is A.D.A.-qualified based on the United States Access Board's A.D.A./A.B.A. Accessibility Guidelines and the Department of Justice's 2010 A.D.A. Standards for Accessible Design.



SIGNATURE FEATURES

Quick Clean

Quickly clean your oven in 2 hours with our quick self-clean cycle.

Vari-Broil™ Temperature Control

Allows you to choose between two heat levels.

Easy-to-Use Ready-Select® Controls

Easily select options or control cooking temperature with our easy-to-use controls.

Oven Rack Handles

Oven racks are designed with space for you to easily pull out the racks, even when wearing an oven mitt.

FFGW2426U S/W/B SINGLE WALL OVEN

FRIGIDAIRE

24" GAS

FEATURES

Oven Control / Timing System	Ready-Select®
Window	Large
Exterior Door Finish	Stainless Steel (S), Color-Coordinated (W/B)
Handle Design	Stainless Steel (S), Color-Coordinated (W/B)
Oven Cleaning System	Self Clean
Drawer Functionality	Storage

OVEN CONTROLS

Bake / Broil	Yes / Variable (Hi - Lo)
Delay Start	Yes
Self-Clean	2, 3 Hours
Delay Clean	Yes
Kitchen Timer	Yes
Timed Cook Option	Yes
Control Lock	Yes
Oven Lock-Out	Yes

OVEN FEATURES

Capacity (Cu. Ft.)	3.3
Oven Light	1 Halogen
Rack Configuration	2 Light Nickel Flat Racks
Broiling System	Vari-Broil™ (Hi - Lo)
Bake (BTU) / Broil Element (W)	14,000 / 1,000

CERTIFICATIONS

A.D.A. Compliant ¹	Yes
-------------------------------	-----

OPTIONAL ACCESSORIES

LP Gas Conversion Kit	Included
-----------------------	----------

SPECIFICATIONS

Oven Interior (H x W x D)	17" x 17-3/4" x 18-3/4"
Power Supply Connection Location	Right Bottom Rear
Gas Supply Connection Location	Right Bottom Rear
Voltage Rating	120V / 60Hz
Connected Load (kW Rating) @ 120 Volts ²	.60
Amps @ 120 Volts	5
Minimum Circuit Required (Amps)	15
Shipping Weight (Approx.)	164 Lbs.

¹When properly installed, this model is A.D.A.-qualified based on the United States Access Board's A.D.A./A.B.A. Accessibility Guidelines and the Department of Justice's 2010 A.D.A. Standards for Accessible Design.

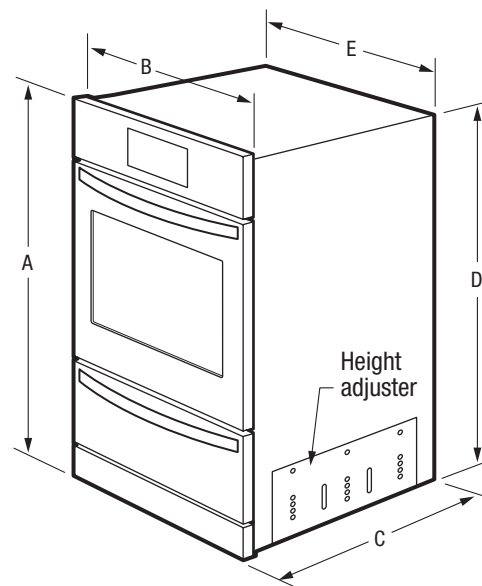
²For use on adequately wired 120V, dedicated circuit having 2-wire service with a separate ground wire. Appliance must be grounded for safe operation.

PRODUCT DIMENSIONS

A - Height	38-7/16"
B - Width	23-7/8"
C - Depth	25-3/8"
D - Wrapper Height	37-3/8"
E - Wrapper Width	21-11/16"
Depth with Door Open 90°	46-5/8"

CUTOUT DIMENSIONS

Height (Min.)	37-1/2"
Height (Max.)	38"
Width (Min.)	22"
Width (Max.)	22-1/4"
Depth (Min.)	24"



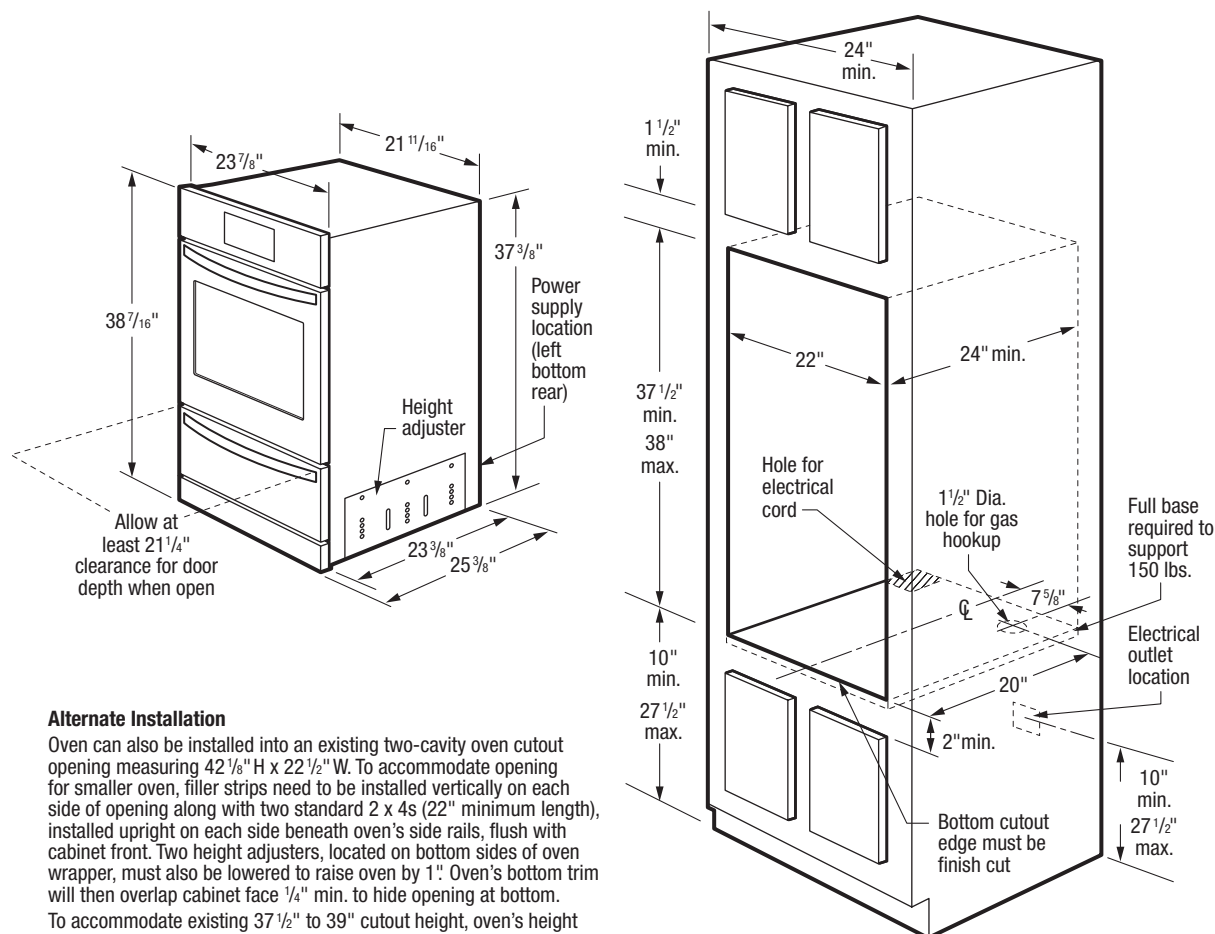
Note: For planning purposes only. Always consult local and national electric, gas and plumbing codes. Refer to Product Installation Guide for detailed installation instructions on the web at frigidaire.com.

Specifications subject to change. Accessories information available on the web at frigidaire.com

FRIGIDAIRE

USA • 10200 David Taylor Drive • Charlotte, NC 28262 • 1-800-FRIGIDAIRE • frigidaire.com
CANADA • 5855 Terry Fox Way • Mississauga, ON L5V 3E4 • 1-800-265-8352 • frigidaire.ca

FFGW2426U 05/18
© 2018 Electrolux Home Products, Inc.



Alternate Installation

Oven can also be installed into an existing two-cavity oven cutout opening measuring 42 1/8" H x 22 1/2" W. To accommodate opening for smaller oven, filler strips need to be installed vertically on each side of opening along with two standard 2 x 4s (22" minimum length), installed upright on each side beneath oven's side rails, flush with cabinet front. Two height adjusters, located on bottom sides of oven wrapper, must also be lowered to raise oven by 1". Oven's bottom trim will then overlap cabinet face 1/4" min. to hide opening at bottom.

To accommodate existing 37 1/2" to 39" cutout height, oven's height adjusters can be lowered to raise oven by 1" in addition to bottom trim's 1/2" overhang allowing for a 1 1/2" total height adjustment.

INSTALLATION SPECIFICATIONS

- Product Shipping Weight (approx.) - 164 Lbs.
- Voltage Rating - 120V/60 Hz/15 Amps
- Connected Load (kW Rating) @ 120 Volts = .60kW (For use on adequately wired 120V, dedicated circuit having 2-wire service with a separate ground wire. Appliance must be grounded for safe operation.)
- Amps @ 120V = 5 Amps
- Always consult local and national electric and gas codes.
- Oven ships with 3/4" factory regulator.
- LP Gas convertible.
- Do not obstruct flow of combustion air at oven vent nor around base or beneath lower front panel of appliance. Oven requires fresh air for proper burner combustion.
- Oven vent location should be a minimum 36" height above floor.
- Minimum 21-1/4" clearance for oven door depth when open.
- Full oven base of solid plywood or similar material required, capable of supporting 150 Lbs.
- Base must be level and cabinet front must be square.
- Single Wall Oven is NOT approved to be used in side-by-side installation.
- Single Wall Oven is NOT approved to be used alone in under-counter installation or in combination with any Frigidaire® Warmer Drawer or Built-In Microwave Oven.

ALTERNATE INSTALLATIONS

- Oven can also be installed into an existing two-cavity oven cutout opening measuring 42-1/8" H x 22-1/2" W. To accommodate opening for smaller oven, filler strips need to be installed vertically on each side of opening along with two standard 2 x 4s (22" minimum length), installed upright on each side beneath oven's side rails, flush with cabinet front. Two height adjusters, located on bottom sides of oven wrapper, must also be lowered to raise oven by 1". Oven's bottom trim will then overlap cabinet face 1/4" minimum to hide opening at bottom.
- To accommodate existing 37-1/2" to 39" cutout height, oven's height adjusters must be lowered to raise oven by 1" in addition to bottom trim's 1/2" overhang allowing for a 1-1/2" total height adjustment.

