



# Double Wall Oven

FPET3077RF

30" Electric



## Product Dimensions

Height	50-7/16"
Width	30"
Depth	24-3/4"

## More Easy-To-Use Features

### Built with American Pride

Designed, engineered and assembled in the U.S.A.

### Dual Timers

Set a timer for both ovens when cooking dishes simultaneously.

### 2-Hour Self-Clean

A powerful, quick clean for your oven in just 2 hours with PowerPlus® Self-Clean cycle.

### Convection Conversion

Automatically converts the convection oven to the ideal cooking time for evenly cooked dishes. Available in Both Ovens.

### PowerGlide™ Racks

Access warm dishes from your oven with ease — racks glide in and out of the oven smoothly.

Sabbath Mode (Star-K® Certified)

### Available in:



Stainless  
(F)

*\*Applies to baking foods on one rack with a cook time of 10 minutes or longer.*

## Signature Features



### PowerPlus® Convection

Powerful performance delivers consistent results. Evenly cooked dishes, every time, with PowerPlus® Convection Bake and Roast. Available in both ovens.



### PowerPlus® Temperature Probe

Ensures great results the first time. Set and monitor dish temperature with the PowerPlus® Temperature Probe. Available in both ovens.



### PowerPlus® No Preheat

Oven is ready in no time. Start baking immediately with PowerPlus® No Preheat! Available in both ovens.

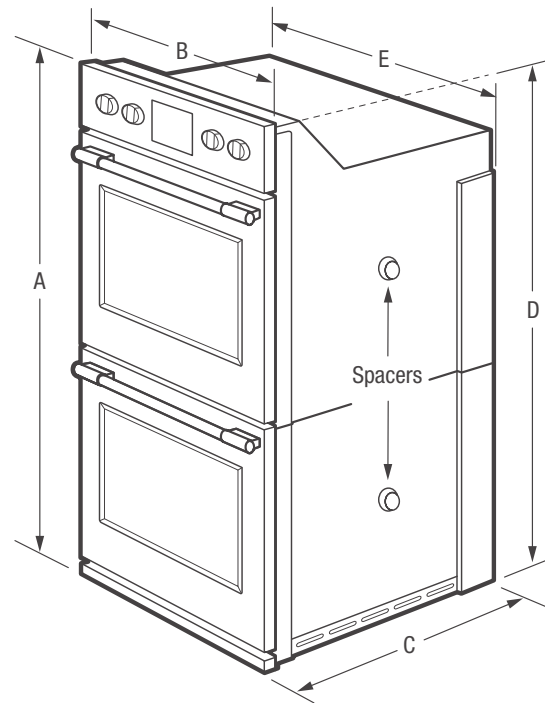


### Smudge-Proof™

Resists fingerprints and cleans easily.

Features	
Oven Control/Timing System	PrecisionPro™ Controls
Windows	Extra-Large
Exterior Door Finish	Smudge-Proof™ Stainless Steel
Handle Design	Stainless Steel
Oven Cleaning System	Self-Clean
Oven Controls	
Bake/Broil	Yes/ Variable (400 - 550 °F)
Convection Conversion	Yes
Convection Bake/Broil/Roast	Yes/ No/ Yes
Oven Preheat	PowerPlus® No Preheat
PowerPlus® Temperature Probe	Yes (2 Included)
Keep Warm	Yes
Self-Clean/Clean Options	Yes/ 2, 3, 4 Hours
Delay Clean	Yes
Kitchen Timer	Yes
Control Lock	Yes
Auto Oven Shut-Off	Yes
Oven Lock-Out	Yes
Upper Oven Features	
Capacity (Cu. Ft.)	5.1
Convection System	PowerPlus® Convection
Oven Light	2 Halogen
Hidden Bake Element	Yes
Rack Configuration	1 Glide, 1 Handle, 1 Offset
Baking System	Even Baking Technology
Broiling System	Variable
Bake/Broil Element (Watts)	2,200/ 4,000
Lower Oven Features	
Capacity (Cu. Ft.)	5.1
Convection System	PowerPlus® Convection
Oven Light	2 Halogen
Hidden Bake Element	Yes
Rack Configuration	1 Glide, 2 Handle
Baking System	Even Baking Technology
Broiling System	Variable
Bake/Broil Element (Watts)	2,200/ 4,000
Optional Accessories	
10'-Long Armored Power Cable	PN# 903056-9010
Certifications	
Sabbath Mode (Star-K® Certified)	Yes
Specifications	
Oven Interior (H x W x D)	18-5/8" x 24-1.8 x 19-1/2" (Upper)/(Lower)
Power Supply Connection Location	Left Bottom Rear
Voltage Rating	240V / 208V / 60Hz
Connected Load (kW Rating) @ 240/208 Volts <sup>1</sup>	9.5/7.1
Amps @ 240/208 Volts	39.6/34.1
Minimum Circuit Required (Amps)	40
Shipping Weight (Approx.)	280 Lbs.

<sup>1</sup>Single phase 3- or 4-wire cable, 120 / 240 or 120 / 208 Volt, 60 Hertz AC only electrical supply with ground required on separate circuit fused on both sides of line.



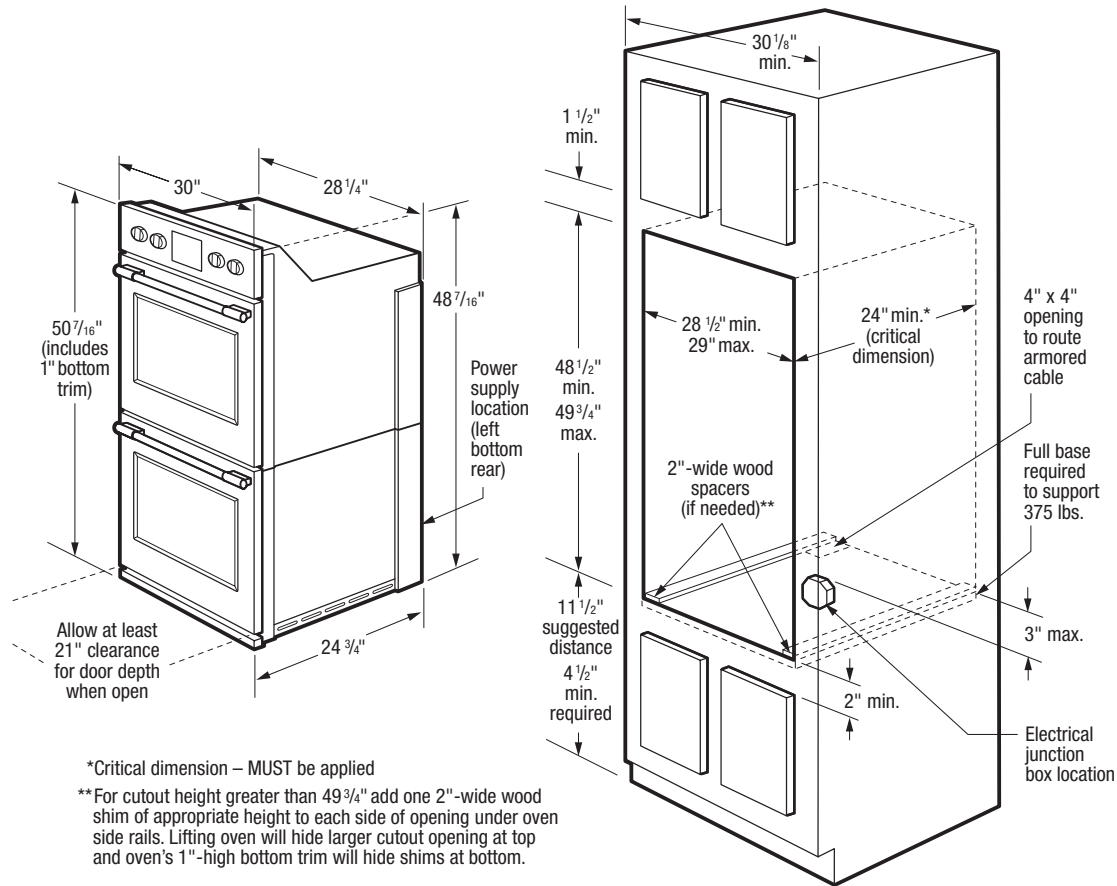
**NOTE:** For planning purposes only. Always consult local and national electric codes. Refer to Product Installation Guide for detailed installation instructions on the web at [frigidaire.com](http://frigidaire.com).



Product Dimensions	
A - Height	50-7/16"
B - Width	30"
C - Depth	24-3/4"
D - Height (Wrapper)	48-7/16"
E - Width (Wrapper)	28-1/4"
Depth with Door Open 90°	45-3/4"

Cutout Dimensions	
Height (Min.)/(Max.)	48-1/2" / 49-3/4"
Width (Min.)/(Max.)	28-1/2" / 29"
Depth (Min.)	24"

Accessories information available on the web at [frigidaire.com](http://frigidaire.com)



**Double Wall Oven Specifications**

- Product Shipping Weight (approx.) - 280 Lbs.
- Single phase 3- or 4-wire cable, 120/240 or 120/208 Volt, 60 Hertz AC only electrical supply with ground required on separate circuit fused on both sides of line.
- Connected Load (kW Rating) @ 240/208 Volts = 9.5/7.1kW
- Amps @ 240/208 Volts = 39.6/34.1 Amps
- Recommended Circuit Breaker - 40 Amps
- Always consult local and national electric codes.
- Minimum 21" clearance for oven door depth when open.
- Suggested distance from floor is 11-1/2". Minimum required distance is 4-1/2".
- Minimum 24" deep cutout dimension is critical for proper installation, to ensure that oven's faceplate will fit flush against cabinet front.

- To adapt oven to fit cutout height greater than 49-3/4", add one 2"-wide wood shim of appropriate height to each side of opening under oven side rails. Lifting oven will hide larger cutout opening at top and oven's 1"-high bottom trim will hide shims at bottom. (Standard 1"-High Bottom Trim included.)
- Full oven base of solid plywood or similar material required, capable of supporting 375 Lbs.
- Base must be level and cabinet front must be square.
- Double Wall Oven is NOT approved to be used in stackable or side-by-side installation.

**Note:** For planning purposes only. Refer to Product Installation Guide on the web at [frigidaire.com](http://frigidaire.com) for detailed instructions.

**Optional Accessories**

- 10'-Long Armored Power Cable - (PN# 903056-9010).