

## FFRE0833U1



### SIGNATURE FEATURES

#### Multi-Speed Fan

Features three different fan speeds, for more cooling flexibility.

#### Effortless™ Temperature Control

Our air conditioners maintain the preset room temperature, so you will remain comfortable at all times.

#### Programmable 24-Hour On/Off Timer

Customize times to fit your schedule for immediate comfort when you get home. The built-in timer allows you to preset the unit to turn on and off in half-hour increments.

#### Sleep Mode

Maximum comfort throughout the evening hours with the added benefit of energy savings. With Sleep Mode, the temperature gradually increases a few degrees over the evening.

### HOME COMFORT

#### MINI COMPACT AIR CONDITIONER

#### PRODUCT DIMENSIONS

|        |           |
|--------|-----------|
| Height | 12-3/4"   |
| Width  | 20-15/16" |
| Depth  | 15-23/32" |

#### MORE EASY-TO-USE FEATURES

##### Remote Control

Allows you to precisely control the temperature and fan speed from across the room.

##### SpaceWise® Adjustable Side Panels

The Adjustable Side Panels will extend to best fit your window.

##### Effortless™ Clean Filter

Our antibacterial filter reduces bacteria, room odors and other airborne particles for a healthier, more comfortable environment.

##### Power Cord

Comes with an extra long three-prong cord — makes extension cords unnecessary.

##### Effortless™ Restart

Automatically resumes operating at its previous settings when power is restored to your unit.

##### Clean Filter Alert

Alert notifies you when your filter needs to be cleaned so you don't have to keep track of it yourself.

##### Ready-Select® Controls

Easily select options with the touch of a button.

#### CERTIFICATIONS

##### ENERGY STAR®



| PERFORMANCE | BTUS  |
|-------------|-------|
| Cool        | 8,000 |

# FFRE0833U1 HOME COMFORT

# FRIGIDAIRE

## MINI COMPACT AIR CONDITIONER

### PERFORMANCE

|                                  |       |
|----------------------------------|-------|
| BTU (Cool)                       | 8,000 |
| Dehumidification (Pints/Hour)    | 1.9   |
| Cool Area (Up To Sq.Ft.)         | 350   |
| Combined Energy Efficiency Ratio | 12.0  |
| Energy Efficiency Ratio          | 12.1  |

### ELECTRICAL

|                                  |              |
|----------------------------------|--------------|
| Volts                            | 115          |
| Amps (Cool)                      | 6.0          |
| Watts (Cool)                     | 660          |
| Length of Power Cord (Min./Max.) | 6' / 6.5'    |
| Plug Type (NEMA)                 | LCDI (5-15P) |

### FEATURES

|                                |                                 |
|--------------------------------|---------------------------------|
| Electronic Controls            | Ready-Select® Controls          |
| Fan Speeds (Cool/Fan)          | 3/3                             |
| Low Voltage Start-Up           | Yes                             |
| Auto Cool Function             | Yes                             |
| Energy Saver Mode              | Yes                             |
| Sleep Mode                     | Yes                             |
| Filter Check                   | Yes                             |
| 24-Hour On/Off Timer           | Yes                             |
| Clean Air Ionizer              |                                 |
| Remote Control                 | Full-Function/Remote Thermostat |
| Air CFM (High/Med/Low)         | 215/205/195                     |
| Air Direction Control          | 6-Way                           |
| Fresh Air/Exhaust Vent/Closed  | No/No/Yes                       |
| Filter Type                    | Antibacterial Mesh              |
| Filter Access                  | Tilt-Out                        |
| Slide-Out Chassis              |                                 |
| Window Mounting Kit (Included) | Pleated Quick Mount             |
| Warranty <sup>1</sup>          | Yes                             |

### CERTIFICATIONS

|              |      |
|--------------|------|
| ENERGY STAR® | Yes  |
| Performance  | AHAM |

### SPECIFICATIONS

|                           |         |
|---------------------------|---------|
| Refrigerant               | R410a   |
| Shipping Weight (Approx.) | 60 Lbs. |

<sup>1</sup>Warranty 5 year sealed system, 1 year full parts and labor.



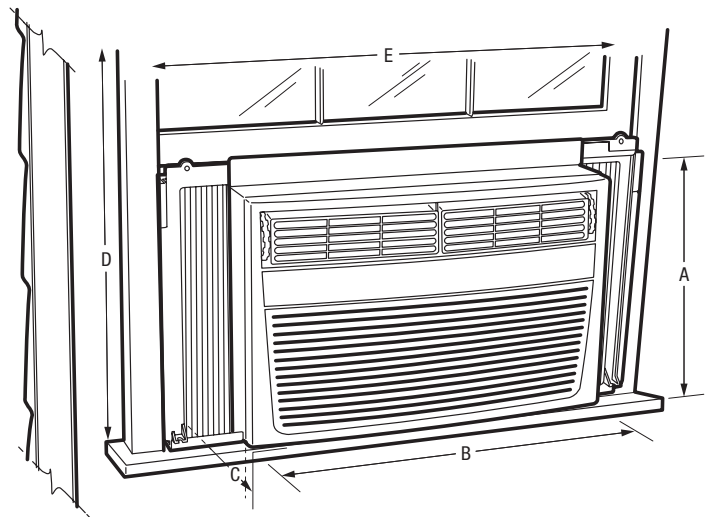
Plug Type (NEMA)  
5-15P

### PRODUCT DIMENSIONS

|            |           |
|------------|-----------|
| A - Height | 12-3/4"   |
| B - Width  | 20-15/16" |
| C - Depth  | 15-23/32" |

### WINDOW DIMENSIONS

|                       |           |
|-----------------------|-----------|
| D - Height (Min.)     | 13-1/4"   |
| E - Width (Min./Max.) | 24" / 36" |



**Note:** For planning purposes only. Always consult local and national electric, gas and plumbing codes. Refer to Product Installation Guide for detailed installation instructions on the web at [frigidaire.com](http://frigidaire.com).

Specifications subject to change. Accessories information available on the web at [frigidaire.com](http://frigidaire.com)

**FRIGIDAIRE**

USA • 10200 David Taylor Drive • Charlotte, NC 28262 • 1-800-FRIGIDAIRE • [frigidaire.com](http://frigidaire.com)  
CANADA • 5855 Terry Fox Way • Mississauga, ON L5V 3E4 • 1-800-265-8352 • [frigidaire.ca](http://frigidaire.ca)

FFRE0833U1 01/18

© 2018 Electrolux Home Products, Inc.