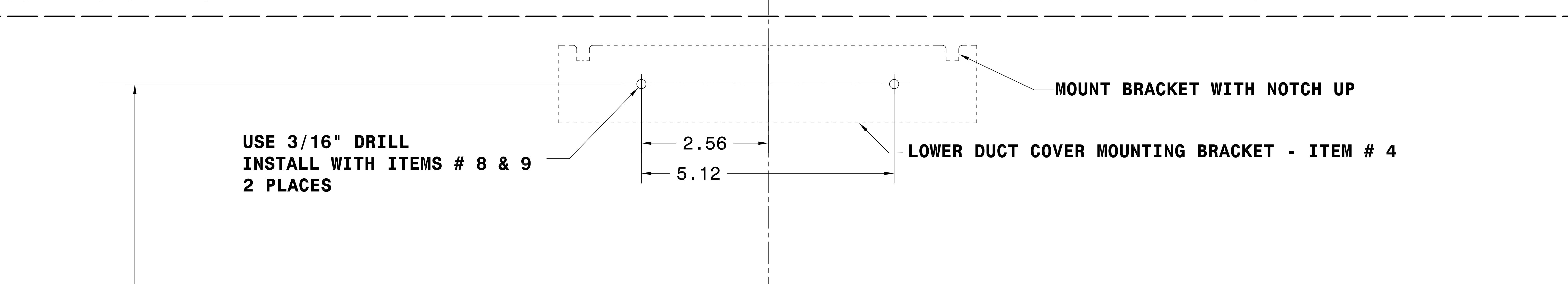
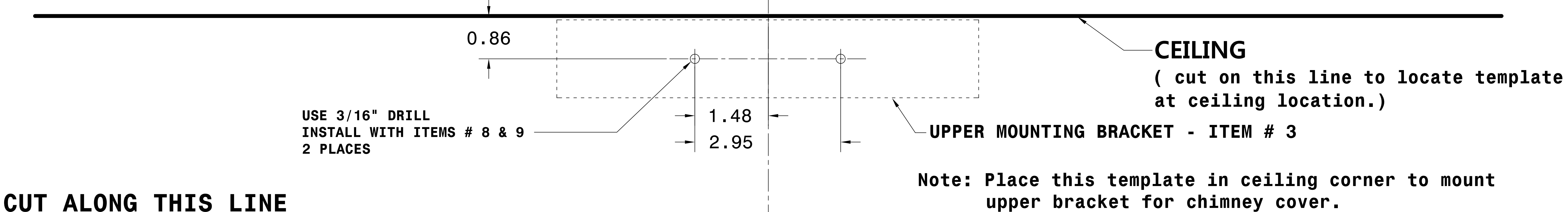


# UPPER DUCT COVER MOUNTING TEMPLATE



- RANGE HOOD LOCATION INSTRUCTIONS:**
- LOCATE CENTER OF COOKTOP
  - DRAW VERTICAL LINE ON WALL TO CEILING
  - FROM INSTALLATION GUIDE CHART - DETERMINE DESIRED VENT HOOD HEIGHT
  - DRAW HORIZONTAL LINE AT THIS HEIGHT
  - LOCATE AND TAPE TEMPLATE TO THE WALL FOR PROPER INSTALLATION
  - REFER TO INSTALLATION MANUAL FOR PROPER ASSEMBLY

**NOTE: LOWER AND UPPER MOUNTING HOLES ON RANGE HOOD BODY SHOULD BE ATTACHED TO WOOD STRUCTURE TO SUPPORT 150 LBS.  
REFER TO INSTALLATION GUIDE FOR DETAILS**

