



# CHEST FREEZERS

**SAFETY INFORMATION** .....3

**USING THE FREEZER** .....5  
 Defrosting Instructions .....6

**CARE AND CLEANING** .....7

**INSTALLATION** .....8

**TROUBLESHOOTING TIPS**.....9  
 Normal Operating Characteristics.....10

**LIMITED WARRANTY** ..... 11

**CONSUMER SUPPORT** .....12

## OWNER'S MANUAL AND INSTALLATION INSTRUCTIONS

Manual  
 Defrost Models:  
 FCM5, FCM7, FCM11

**ENGLISH/FRANÇAIS/  
 ESPAÑOL**

Write the model and serial numbers here:

Model # \_\_\_\_\_

Serial # \_\_\_\_\_

You can find them on a plate on the top-center on the back of the unit.

## **THANK YOU FOR MAKING GE APPLIANCES A PART OF YOUR HOME.**

---

Whether you grew up with GE Appliances, or this is your first, we're happy to have you in the family.

We take pride in the craftsmanship, innovation and design that goes into every GE Appliances product, and we think you will too. Among other things, registration of your appliance ensures that we can deliver important product information and warranty details when you need them.

Register your GE appliance now online. Helpful websites and phone numbers are available in the Consumer Support section of this Owner's Manual. You may also mail in the pre-printed registration card included in the packing material.



**GE APPLIANCES**

# IMPORTANT SAFETY INFORMATION

## READ ALL INSTRUCTIONS BEFORE USING THE APPLIANCE

**⚠ WARNING** To reduce the risk of fire, explosion, electric shock, or injury when using your freezer, follow these basic safety precautions:

- This freezer must be properly installed and located in accordance with the Installation Instructions before it is used.
- Unplug the freezer before making repairs or cleaning.  
**NOTE:** Power to the freezer cannot be disconnected by any setting on the control panel.  
**NOTE:** Repairs must be performed by a qualified Service Professional.
- Replace all parts and panels before operating.
- Keep flammable materials and vapors away from the freezer.
- Do not store explosive substances such as aerosol cans with a flammable propellant in this appliance.
- Do not use an extension cord.
- To prevent suffocation and entrapment hazards to children, remove the lid from any freezer before disposing of it or discontinuing its use.
- To avoid serious injury or death, children should not stand on, or play in or with the appliance.
- Children and persons with reduced physical, sensory or mental capabilities or lack of experience and knowledge can use this appliance only if they are supervised or have been given instructions on safe use and understand the hazards involved.
- This appliance is intended to be used in household and similar applications such as: staff kitchen areas in shops, offices and other working environments; farm houses; by clients in hotels, motels, bed & breakfast and other residential environments; catering and similar non-retail applications.

**⚠ CAUTION** To reduce the risk of injury when using your freezer, follow these basic safety precautions.

- Do not clean freezer with warm water when it is cold. Components may break if exposed to sudden temperature changes or impact, such as bumping or dropping.
- Keep fingers out of the “pinch point” areas; clearances between the lid and cabinet are necessarily small. Be careful closing lid when children are in the area.
- Do not touch the cold surfaces in the freezer compartment when hands are damp or wet, skin may stick to these extremely cold surfaces.
- Do not refreeze frozen foods which have thawed completely.

**⚠ WARNING**  **EXPLOSION HAZARD Flammable Refrigerant**

**This appliance contains isobutane refrigerant, also known as R600a, a natural gas with high environmental compatibility. However, it is also combustible. Adhere to the warnings below to reduce the risk of injury or property damage**

1. When handling, installing and operating the appliance, care should be taken to avoid damage to the refrigerant tubing.
2. Service shall only be performed by authorized service personnel. Use only manufacturer-authorized service parts.
3. Dispose of appliance in accordance with Federal and Local Regulations. Flammable refrigerant and insulation material used require special disposal procedures. Contact your local authorities for the environmentally safe disposal of your appliance.
4. Keep ventilation openings in the appliance enclosures or in the built-in structure clear of obstruction.
5. To remove frost, scrape with a plastic or wood spatula or scraper. Do not use an ice pick or a metal or sharp-edged instrument as it may puncture the freezer liner and then the flammable refrigerant tubing behind it.
6. Do not use electrical appliances inside the food storage compartment of the appliance.
7. Do not use any electrical device to defrost your freezer.

## READ AND SAVE THESE INSTRUCTIONS

# IMPORTANT SAFETY INFORMATION

## READ ALL INSTRUCTIONS BEFORE USING THE APPLIANCE

### **⚠ WARNING** FIRE OR EXPLOSION HAZARD

Keep flammable materials and vapors away from freezer. Failure to do so can result in fire, explosion, or death.

### CONNECTING ELECTRICITY

### **⚠ WARNING** ELECTRICAL SHOCK HAZARD

Plug into a grounded 3-prong outlet.

Do not remove the ground prong.

Do not use an adapter.

Do not use an extension cord.

Failure to follow these instructions can result in death, fire, or electrical shock.

**Do not, under any circumstances, cut or remove the third (ground) prong from the power cord. For personal safety, this appliance must be properly grounded.**

The power cord of this appliance is equipped with a 3-prong (grounding) plug which mates with a standard 3-prong (grounding) wall outlet to minimize the possibility of electric shock hazard from this appliance.

Have the wall outlet and circuit checked by a qualified electrician to make sure the outlet is properly grounded.

Where a standard 2-prong wall outlet is encountered, it is your personal responsibility and obligation to have it replaced with a properly grounded 3-prong wall outlet.

The freezer should always be plugged into its own individual electrical outlet which has a voltage rating that matches the rating plate.

A 115 Volt AC, 60 Hz, 15- or 20-amp fused, grounded electrical supply is required. This provides the best performance and also prevents overloading house wiring circuits which could cause a fire hazard from overheated wires.

Never unplug your freezer by pulling on the power cord. Always grip plug firmly and pull straight out from the outlet.

Immediately discontinue use of a damaged supply cord. If the supply cord is damaged, it must be replaced by a qualified service professional with an authorized service part from the manufacturer.

When moving the freezer away from the wall, be careful not to roll over or damage the power cord.

### PROPER DISPOSAL OF YOUR OLD APPLIANCE

### **⚠ WARNING** SUFFOCATION AND ENTRAPMENT HAZARD

Failure to follow these disposal instructions can result in death or serious injury

**IMPORTANT:** Child entrapment and suffocation are not problems of the past. Junked or abandoned appliances are still dangerous even if they will sit for "just a few days." If you are getting rid of your old appliance, please follow the instructions below to help prevent accidents.

#### **Before You Throw Away Your Old Freezer:**

- Take off the freezer lid.
- Leave the baskets in place so that children may not easily climb inside.

#### **Refrigerant and Foam Disposal:**

Dispose of appliance in accordance with Federal and Local Regulations. Flammable refrigerant and insulation material used require special disposal procedures. Contact your local authorities for the environmentally safe disposal of your appliance.

## READ AND SAVE THESE INSTRUCTIONS

# Using the Freezer

## Starting the Freezer

1. Clean the inside of the freezer with a mild solution of baking soda and water (see Care and Cleaning).
2. Connect cord to power outlet.
3. Make sure the temperature control is set at 4.
4. Allow freezer to operate for at least 4 hours before placing food inside.

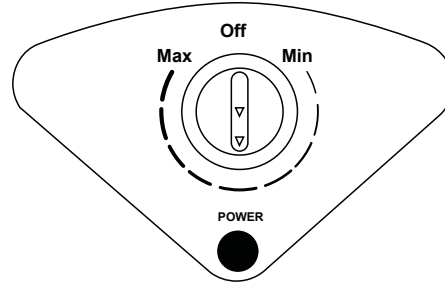
## Temperature Control

Freezing temperature selection is made by setting the control from "Min" to "Max" (coldest) to.

If you want colder or warmer temperatures, adjust the control one step at a time.

Allow several hours after each one-step adjustment for the freezer temperature to stabilize.

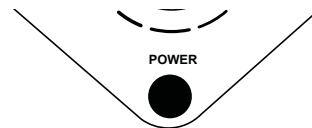
Turning the control to the OFF position stops the cooling process but does not shut off power to the freezer.



## Power-On Light (on some models)

The Power-On Light indicates that the freezer is properly connected to the electrical power.

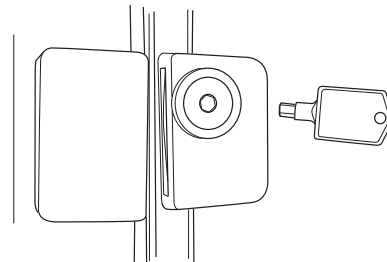
The light glows even when the temperature control is turned off.



## Key-Ejecting Lock (on some models)

The lock is spring loaded so the key cannot be left in the lock. To lock or unlock, press the key in while turning. If the key is lost, contact your dealer for a replacement or go to [GEApplianceParts.com](http://GEApplianceParts.com). Always give the model and serial number of the freezer when requesting a replacement key.

**▲ WARNING** To prevent a child from being entrapped, keep the key out of reach of children and away from the freezer.



# Defrosting Instructions

In most climates, defrosting will be necessary only about twice a year.

To have your freezer operate most efficiently, do not permit more than 1/2" (13 mm) of frost to accumulate.

**▲ WARNING Risk of fire or explosion. Flammable refrigerant used.**

To remove frost, scrape with a plastic or wood spatula or scraper. Do not use an ice pick or a metal or sharp-edged instrument as it may puncture the freezer liner and then the flammable refrigerant tubing behind it. Do not use any electrical device to defrost your freezer.

## For Complete Defrosting

1. Turn the temperature control to OFF setting and unplug the freezer.
2. Remove all food and place it in corrugated boxes, insulated bags, picnic coolers, etc. Use towels and newspapers for insulation as needed.
3. With the door/lid open, use pans of hot water to speed loosening of frost. Remove large pieces before they melt.
4. Sponge excess water from the bottom of the freezer as it collects to prevent overflowing.
5. After defrosting, clean the inside of the freezer (see Care and Cleaning).
6. Replace the drain plug inside the cabinet and the cap on the defrost drain. Fold over and dry the gasket on the hinge side of the lid.
7. Plug in the freezer. Return the temperature control to its previous position and return food to the freezer.

Chest models have a defrost water drain at the front. Remove the defrost drain cap from the outside and the drain plug inside the cabinet.

**NOTE:** Water may drip from the back flange of the lid cover during defrosting. This is normal. Ice builds up in the lid insulation when the lid is open for adding or removing food, and melts during the defrosting operation.

# Care And Cleaning

---

## Cleaning Your Freezer

- **Outside.** Protect the paint finish. The finish on the outside of the freezer is a high quality, baked-on paint finish. With proper care, it will stay new-looking and rust-free for years. Apply a coat of appliance polish wax when the freezer is new and then at least twice a year. Appliance polish wax also works well to remove tape residue from freezer surfaces.

**Keep the finish clean.** Wipe with a clean cloth lightly dampened with appliance polish wax or mild liquid dishwashing detergent. Dry and polish with a clean, soft cloth. Do not wipe the freezer with a soiled dishwashing cloth or wet towel. Do not use scouring pads, powdered cleaners, bleach, or cleaners containing bleach.

**NOTICE:** Care should be taken in moving the freezer away from the wall. All types of floor coverings can be damaged, particularly cushioned coverings and those with embossed surfaces.

- **Inside.** Clean the inside of your freezer at least once a year. We recommend that the freezer be unplugged before cleaning. If this is not practical, wring excess moisture out of sponge or cloth when cleaning in the vicinity of switches, lights or controls.

Use warm water and baking soda solution—about a tablespoon of baking soda to a quart of water. Rinse thoroughly with water and wipe dry. Do not use cleaning powders or other abrasive cleaners. **DO NOT** wash removable parts in a dishwasher.

An open box of baking soda in the freezer will absorb stale freezer odors. Change the box every three months.

---

## In Case of Extended Power Failure

- Keep freezer lid closed. Your freezer will keep food frozen for 24 hours provided warm air is not admitted.
- If freezer is out of operation for 24 hours or more, add dry ice. Leave ice in large pieces. Add more ice as required.

### ▲ CAUTION

Handling of dry ice can cause freezing of the hands—gloves or other protection is recommended.

- If dry ice is not available, move food to a frozen food locker temporarily—until power is restored.

---

## Preparing to Move

Disconnect the power cord plug from the wall outlet. Remove foods, defrost and clean the freezer.

Secure all loose items such as baskets by taping them securely in place to prevent damage.

Be sure freezer stays in upright position during actual moving and during transportation. The freezer must be secured during transportation to prevent movement. Protect outside of freezer with blanket.

---

## Preparing for Vacation

To maintain freezer in operation during vacations, be sure your house power is not turned off. For sure protection of freezer contents, you may want to ask a neighbor to check the power supply and freezer operation every 48 hours.

For extended vacations or absences, you may prefer to move your frozen foods to a storage locker temporarily. If your freezer is to be left empty, disconnect power cord plug from wall outlet. To prevent formation of odors, place open box of baking soda in freezer and leave freezer door/lid open.

# Preparing to Install the Freezer

Read these instructions completely and carefully.

## Freezer Location

Your freezer should be conveniently located for day-to-day use in a dry, well-ventilated room.

Do not install the freezer where the temperature will go below 0°F (-18°C) or above 110°F (43°C), because it will not maintain proper temperatures.

Be sure to install your freezer on a floor strong enough to support it when it is fully loaded.

Do not install the freezer in a location exposed to rain water or direct sunlight.

The freezer must be solidly positioned on the floor if it is to function at its best. Your freezer has adjustable leveling legs that can be turned to be solidly positioned wherever the floor is too uneven. If the place selected for the freezer is damp or moist, place 2 x 4's (51 mm x 102 mm) under its entire length to assure adequate support.

## Clearances

On all models, allow 3" (76 mm) on top, back and sides for proper air circulation. Allow sufficient space on top for lid to open.

## Lid Removal

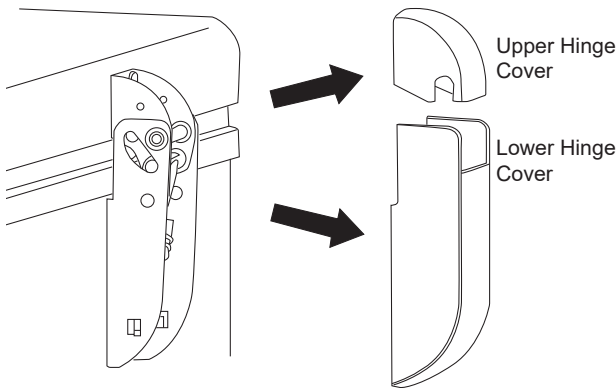
### ⚠ CAUTION LIFTING HAZARD

The lid is heavy. Use both hands to secure the lid before lifting.

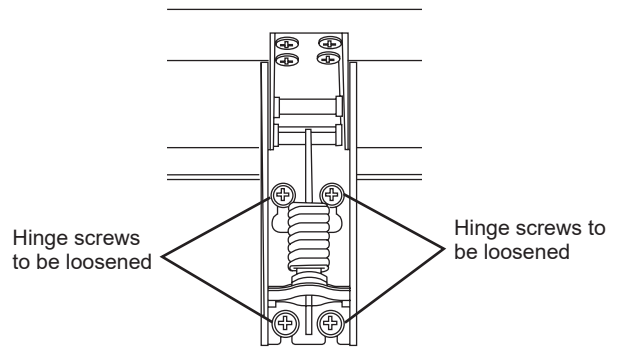
### ⚠ CAUTION HINGE SPRING UNDER TENSION

If it is necessary to remove the lid, follow these steps:

1. Remove each upper hinge cover by grasping on the sides and pulling upwards. Remove each lower hinge cover by grasping on the sides and pulling down.



2. Open the lid to the maximum position. (The hinges are loosest at this position.)
3. Loosen, do not remove, the 4 screws from the lower part of the hinge that are mounted to the cabinet.



4. Raise/lift the lid until the screws align with the larger slotted openings in the bottom of the hinge. Each hinge is still attached to the lid with 4 screws.
5. To reinstall lid follow steps in reverse. Tighten all hinge screws but avoid over-tightening to prevent stripping. Reinstall hinge covers.



# Troubleshooting Tips... Before you call for service

Save time and money! Review the charts on the following pages first and you may not need to call for service.

Problem	Possible Causes	What To Do
Freezer does not operate or Power-On Light is not on	Temperature control set to OFF position.	Move the control to a temperature setting.
	Freezer is unplugged.	Push the plug completely into the outlet.
	The fuse is blown/circuit breaker is tripped.	Replace fuse or reset the breaker.
Freezer starts/stops too frequently	Door/lid left open.	Check to see if package is holding door/lid open.
	Too frequent or too long lid openings.	Open the lid less often.
	Temperature control set too cold.	See Using the Freezer
Freezer operates too long	Door/lid left open.	Check to see if package is holding door/lid open.
	Too frequent or too long lid openings.	Open the lid less often.
	Temperature control set too cold.	See Using the Freezer
	Inadequate air circulation space around cabinet.	See Preparing to install the freezer
Noisy operation or cabinet vibrates	Floor may be weak, causing freezer to vibrate when compressor is on.	Placing 2 X 4's (51 mm X 102 mm) under the length of the freezer will help support it and may reduce vibration.
	Cabinet is not positioned solidly on floor.	See Preparing to install the freezer. Or use shims for uneven floor.
Freezer temperature too warm	Door/lid left open.	Check to see if package is holding door/lid open.
	Too frequent or too long lid openings.	Open the lid less often.
Foods defrosting	Temperature control set to OFF position.	Move the control to a temperature setting.
	Freezer is unplugged.	Push the plug completely into the outlet.
	The fuse is blown/circuit breaker is tripped.	Replace fuse or reset the breaker.
	Door/lid left open.	Check to see if package is holding door/lid open.
	Too frequent or too long lid openings.	Open the lid less often.
Freezer temperature too cold	Temperature control set too cold.	See Using the Freezer
Moisture forms on outside of cabinet	Not unusual during periods of high humidity.	Wipe surface dry.
Interior light does not work (on some models)	No power at outlet.	Replace fuse or reset the breaker.
	Freezer is unplugged.	Push the plug completely into the outlet.
	Light bulb burned out.	Replace bulb.

## Troubleshooting Tips... Before you call for service

Problem	Possible Causes	What To Do
Door/lid won't fully close by itself	Package holding door/lid open.	Move package to a different location.
Slow starting time after being off	Built-in overload protection.	This is normal after being off.
Excessive frost buildup	Door/lid left open.	Check to see if package is holding door/lid open.
	Too frequent or too long lid openings.	Open the lid less often.
	Not unusual during periods of high humidity.	Wipe surface dry.

**NOTE:** Do not return the freezer to the store where you purchased it. The freezer is eligible for in-home service. For warranty service, contact us at [GEAppliances.com](http://GEAppliances.com), or call 800.GE.CARES (U.S.), or 1.800.561.3344 (Canada).

### Normal Operating Characteristics

These things are normal and do not indicate a need for service.

- A warm cabinet exterior as the refrigeration system transfers heat from the inside to the outside through the exterior cabinet walls.
- The sound of the high-efficiency compressor motor.

# Freezer Limited Warranty

**LIMITED WARRANTY**

## GEAppliances.com

**For US Customers**, all warranty service provided by our Factory Service Centers, or an authorized Customer Care® technician. To schedule service, on-line, 24 hours a day, visit us at **GEAppliances.com**, or call 800.GE.CARES (800.432.2737). Please have serial number and model number available when calling for service.

**In Canada**, call 800.561.3344.

For the Period of:	GE Appliances Will Replace
<b>One Year</b> From the date of the original purchase	Any part of the freezer which fails due to a defect in materials or workmanship. During this period of One Year from the date of original purchase, GE Appliances will choose, at its option, to replace or service the defective unit. During this limited one-year warranty, should GE Appliances choose to service the unit, GE Appliances will provide any part of the freezer which fails due to a defect in materials or workmanship and free of charge, all labor and related service costs to replace the defective part. During this limited one-year warranty, should GE Appliances choose to replace the unit, it may do so by providing you with a certificate redeemable at a retailer for a replacement product.

### What GE Appliances Will Not Cover:

- Service trips to your home to teach you how to use the product.
- Improper installation, delivery or maintenance.
- Failure of the product if it is abused, misused, or used for other than the intended purpose or used commercially.
- Loss of food due to spoilage.
- Damage caused after delivery.
- Replacement of house fuses or resetting of circuit breakers.
- Damage to the product caused by accident, fire, floods or acts of God.
- Incidental or consequential damage caused by possible defects with this appliance.
- Product not accessible to provide required service.
- Associated costs when GE Appliances chooses to issue the consumer a certificate as a form of product replacement.

#### **EXCLUSION OF IMPLIED WARRANTIES**

Your sole and exclusive remedy is product repair as provided in this Limited Warranty. Any implied warranties, including the implied warranties of merchantability or fitness for a particular purpose, are limited to one year or the shortest period allowed by law.

**For US Customers:** This limited warranty is extended to the original purchaser and any succeeding owner for products purchased for home use within the USA. If the product is located in an area where service by a GE Appliances Authorized Servicer is not available, you may be responsible for a trip charge or you may be required to bring the product to an Authorized GE Appliances Service location for service. In Alaska, the limited warranty excludes the cost of shipping or service calls to your home.

Some states do not allow the exclusion or limitation of incidental or consequential damages. This limited warranty gives you specific legal rights, and you may also have other rights which vary from state to state. To know what your legal rights are, consult your local or state consumer affairs office or your state's Attorney General.

**Warrantor US: GE Appliances, a Haier company**  
Louisville, KY 40225

**For Customers in Canada:** This limited warranty is extended to the original purchaser and any succeeding owner for products purchased in Canada for home use within Canada. In-home warrant service will be provided in areas where it is available and deemed reasonable by Mabe to provide.

**Warrantor Canada: MC Commercial, Burlington, Ontario, L7R 5B6**

Staple your receipt here. Proof of the original purchase date is needed to obtain service under the warranty.

# Consumer Support

---

## GE Appliances Website

Have a question or need assistance with your appliance? Try the GE Appliances Website 24 hours a day, any day of the year! You can also shop for more great GE Appliances products and take advantage of all our on-line support services designed for your convenience. In the US: **GEAppliances.com** In Canada: **GEAppliances.ca**

---

## Register Your Appliance

Register your new appliance on-line at your convenience! Timely product registration will allow for enhanced communication and prompt service under the terms of your warranty, should the need arise. You may also mail in the pre-printed registration card included in the packing material.

In the US: **GEAppliances.com/register**

In Canada: **Prodsupport.mabe.ca/crm/Products/ProductRegistration.aspx**

---

## Schedule Service

Expert GE Appliances repair service is only one step away from your door. Get on-line and schedule your service at your convenience any day of the year. In the US: **GEAppliances.com/service** or call 800.432.2737 during normal business hours.

In Canada: **GEAppliances.ca/en/support/service-request** or call 800.561.3344

---

## Extended Warranties

Purchase a GE Appliances extended warranty and learn about special discounts that are available while your warranty is still in effect. You can purchase it on-line anytime. GE Appliances Services will still be there after your warranty expires.

In the US: **GEAppliances.com/extended-warranty** or call 800.626.2224 during normal business hours.

In Canada: **GEAppliances.ca/en/support/purchase-extended-warranty** or call 800.290.9029

---

## Parts and Accessories

Individuals qualified to service their own appliances can have parts or accessories sent directly to their homes (VISA, MasterCard and Discover cards are accepted). Order on-line today 24 hours every day.

In the US: **GEApplianceparts.com** or by phone at 877.959.8688 during normal business hours.

**Instructions contained in this manual cover procedures to be performed by any user. Other servicing generally should be referred to qualified service personnel. Caution must be exercised, since improper servicing may cause unsafe operation.**

Customers in Canada should consult the yellow pages for the nearest Mabe service center, visit our website at **GEAppliances.ca/en/products/parts-filters-accessories** or call 800.661.1616.

---

## Contact Us

If you are not satisfied with the service you receive from GE Appliances, contact us on our Website with all the details including your phone number, or write to:

In the US: General Manager, Customer Relations | GE Appliances, Appliance Park | Louisville, KY 40225

**GEAppliances.com/contact**

In Canada: Director, Consumer Relations, Mabe Canada Inc. | Suite 310, 1 Factory Lane | Moncton, N.B. E1C 9M3

**GEAppliances.ca/en/contact-us**



# CONGÉLATEURS HORIZONTAUX

<b>MESURES DE SÉCURITÉ</b> .....	3
<b>UTILISATION DU CONGÉLATEUR</b> .....	5
Directives de dégivrage .....	6
<b>ENTRETIEN ET NETTOYAGE</b> .....	7
<b>INSTALLATION</b> .....	8
<b>CONSEILS DE DÉPANNAGE</b> .....	9
Caractéristiques normales de fonctionnement. ....	10
<b>GARANTIE LIMITÉE</b> .....	11
<b>SOUTIEN AU CONSOMMATEUR</b> .....	12

## MANUEL D'UTILISATION ET D'INSTALLATION

Dégivrage non automatique :  
FCM5, FCM7, FCM11

**FRANÇAIS**

Inscrivez les numéros de modèle et  
de série ici :

Numéro de modèle : \_\_\_\_\_

Numéro de série : \_\_\_\_\_

Ils sont inscrits sur une plaque qui  
se trouve sur le dessus central de  
l'arrière du congélateur.

## **NOUS VOUS REMERCIONS D'ACCUEILLIR GE APPLIANCES CHEZ VOUS**

---

Que vous ayez grandi avec GE Appliances ou qu'il s'agisse de votre première acquisition, nous sommes heureux de vous accueillir dans notre famille.

Nous sommes fiers du savoir-faire, de l'innovation et de l'esthétique qui composent chaque appareil GE Appliances, et nous pensons que vous le serez aussi. Dans cette optique, nous vous rappelons que l'enregistrement de votre électroménager vous assure la communication de renseignements importants sur le produit et la garantie lorsque vous en avez besoin.

Enregistrez votre électroménager GE en ligne dès maintenant. Des sites Web et des numéros de téléphone utiles figurent dans la section Soutien au consommateur de ce manuel d'utilisation. Vous pouvez aussi poster la fiche de garantie pré-imprimée incluse dans l'emballage.



**GE APPLIANCES**

# INSTRUCTIONS IMPORTANTES DE SÉCURITÉ

## LIRE TOUTES LES INSTRUCTIONS AVANT D'UTILISER L'APPAREIL

**⚠ AVERTISSEMENT** Pour réduire le risque d'incendie, d'explosion, de choc électrique ou de blessures lorsque vous utilisez votre congélateur, veuillez suivre ces consignes de sécurité :

- Ce congélateur doit être correctement installé conformément aux Consignes d'Installation avant toute utilisation.
- Débranchez le congélateur avant d'effectuer une réparation, de remplacer une ampoule ou de le nettoyer.  
**Remarque** : L'alimentation du congélateur ne peut être déconnectée par aucune des fonctions sur le panneau de commande.  
**Remarque** : Les réparations doivent être effectuées par un professionnel qualifié.
- Remettez toutes les pièces et panneaux en place avant d'utiliser l'appareil.
- Gardez les matériaux et vapeurs inflammables loin du réfrigérateur.
- N'entreposez pas dans cet électroménager des substances explosives telles que des bombes aérosols qui contiennent un gaz propulseur.
- N'utilisez pas de cordon de rallonge.
- Pour éviter tout risque de suffocation ou d'enfermement, retirez le couvercle d'un congélateur avant de le mettre au rebut ou si vous arrêtez de l'utiliser.
- Afin de prévenir les accidents graves ou la mort, les enfants ne doivent pas se tenir ni jouer dans ou sur l'électroménager.
- Les enfants et les personnes dont les capacités sont réduites sur le plan physique, sensoriel ou mental, ou qui manquent d'expérience ou de connaissances, peuvent utiliser cet électroménager seulement si elles sont surveillées ou ont reçues des consignes de sécurité sur son usage et les risques y sont associés.
- Cet électroménager est conçu pour une utilisation domestique et applications similaires : salle du personnel dans une usine, un bureau ou d'autres lieux de travail; maison de ferme; clients dans un hôtel, un motel, un gîte touristique et d'autres lieux résidentiels; approvisionnement et applications similaires non reliées au commerce de détail.

**⚠ ATTENTION** Pour réduire le risque de blessures lorsque vous utilisez votre congélateur, veuillez suivre les consignes de sécurité suivantes :

- Ne nettoyez pas le congélateur avec de l'eau tiède quand celui-ci est froid. Les composants peuvent se casser s'ils sont exposés à des changements soudains de température ou si vous les cognez ou les faites tomber.
- Éloignez les doigts des parties du congélateur où l'on peut facilement se pincer : les espaces entre le couvercle et la cuve sont toujours étroits. Soyez prudent lorsque vous fermez le couvercle en présence d'enfants.
- Ne touchez pas les surfaces froides du congélateur lorsque vous avez les mains humides ou mouillées. La peau risque d'adhérer à ces surfaces extrêmement froides.
- Ne recongelez pas les aliments surgelés qui ont complètement dégelé.

**⚠ AVERTISSEMENT**  **RISQUE D'EXPLOSION** Fluide frigorigène inflammable

**Cet électroménager contient le réfrigérant isobutane, aussi connu comme R600a, un gaz naturel à compatibilité élevée avec l'environnement. Il s'agit cependant d'un combustible. Observez les consignes de sécurité ci-dessous afin de réduire le risque de blessure ou de dommage à la propriété.**

1. Lors de la manipulation, de l'installation et de l'utilisation de cet appareil, prenez soin de ne pas endommager les tubes de circulation du fluide frigorigène.
2. L'entretien ou la réparation doivent être effectués par un personnel de service autorisé. Utilisez seulement des pièces de rechange autorisées par le fabricant.
3. Mettez le appareil au rebut conformément aux réglementations fédérales et locales. Le fluide frigorigène inflammable et le matériel isolant utilisés nécessitent des procédures de mise au rebut spéciales. Communiquez avec les autorités locales compétentes pour la mise au rebut de votre appareil sans danger pour l'environnement.
4. N'obstruez pas les événements dans l'enceinte prévue pour l'appareil.
5. N'utilisez pas d'appareils ou autres moyens mécaniques pour accélérer le processus de dégivrage.
6. N'endommagez pas le circuit du fluide frigorigène.
7. N'utilisez aucun appareil électrique pour dégivrer votre congélateur.

## LIRE ET CONSERVER CES INSTRUCTIONS

# INSTRUCTIONS IMPORTANTES DE SÉCURITÉ

## LIRE TOUTES LES INSTRUCTIONS AVANT D'UTILISER L'APPAREIL

### ⚠ AVERTISSEMENT



### RISQUE D'INCENDIE OU D'EXPLOSION

Conservez les matériaux et vapeurs inflammables à l'écart de votre appareil. Une explosion, un incendie voire la mort pourrait en résulter.

## BRANCHEMENTS ÉLECTRIQUES

### ⚠ AVERTISSEMENT



### RISQUE DE CHOC ÉLECTRIQUE.

Branchez l'appareil dans une prise triple avec terre.

Ne retirez pas la broche de terre.

N'utilisez pas d'adaptateur.

N'utilisez pas de cordon de rallonge.

Le non-respect de ces instructions peut entraîner des risques d'incendies, des chocs électriques ou la mort.

**Ne coupez ni retirez en aucun cas la troisième broche (mise à la terre) de la fiche du cordon d'alimentation. Pour votre sécurité, cet appareil doit être correctement mis à la terre.**

Le cordon d'alimentation de cet appareil est muni d'une fiche à 3 broches (mise à la terre) qui se branche dans une prise murale ordinaire à 3 alvéoles (mise à la terre) pour réduire au minimum les risques de chocs électriques.

Faites examiner la prise de courant et le circuit par un électricien qualifié pour vous assurer que la prise est correctement mise à la terre.

Dans le cas d'une prise biphasée, l'installateur a la responsabilité et l'obligation de la remplacer par une prise triphasée correctement mise à la terre. N'utilisez pas d'adaptateur.

Le congélateur doit toujours être branché dans sa propre prise de courant, dont la tension nominale est identique à celle indiquée sur la plaque signalétique.

Une alimentation électrique à 115 volts CA, 60 Hz, avec un fusible de 15 ou 20 ampères et une mise à la terre est nécessaire. Ceci permet d'obtenir un meilleur rendement et évite de surcharger les circuits électriques du domicile qui risque d'occasionner un incendie en surchauffant.

Ne débranchez jamais le congélateur en tirant sur le cordon d'alimentation. Saisissez fermement la fiche du cordon et tirez droit pour la retirer de la prise.

Cessez immédiatement d'utiliser un cordon électrique endommagé. Si le cordon électrique est endommagé, son remplacement doit être effectué par un technicien en réparation qualifié au moyen d'un cordon de rechange autorisé par le fabricant.

Lorsque vous déplacez votre congélateur du mur, faites attention de ne pas le faire rouler sur le cordon d'alimentation afin de ne pas l'endommager.

## MISE AU REBUT APPROPRIÉE DE VOTRE ANCIEN CONGÉLATEUR

### ⚠ AVERTISSEMENT

### RISQUE DE SUFFOQUER OU D'Y ÊTRE EMPRISONNÉ

Le non-respect de ces instructions d'élimination peut entraîner la mort ou des blessures graves.

**IMPORTANT:** Les enfants pris au piège ou morts d'asphyxie sont toujours d'actualité. Les réfrigérateurs et congélateurs abandonnés sont toujours aussi dangereux, même si on n'attend que «quelques jours» pour s'en débarrasser. Si vous ne gardez pas votre ancien réfrigérateur ou congélateur, veuillez suivre les directives ci-dessous afin de prévenir les accidents.

**Avant de vous débarrasser de votre ancien réfrigérateur ou congélateur :**

- Démontez le couvercle du congélateur.
- Laissez les clayettes en place afin d'empêcher les enfants de grimper à l'intérieur.

### Mise au rebut des produits réfrigérants et en mousse

Mettez l'électroménager au rebut conformément à la réglementation fédérale et locale. Le fluide frigorigène inflammable et le matériel isolant utilisés nécessitent des procédures de mise au rebut spéciales. Communiquez avec les autorités locales pour connaître la façon de mettre votre électroménager au rebut qui soit respectueuse de l'environnement.

## LIRE ET CONSERVER CES INSTRUCTIONS



# Utilisation du congélateur

## Mise en marche du congélateur

1. Nettoyez l'intérieur du congélateur avec une solution de bicarbonate de soude et d'eau (voir la section Entretien et nettoyage).
2. Branchez le cordon d'alimentation dans une prise de courant.
3. Assurez-vous que la commande de température est réglée sur 4.
4. Laissez fonctionner le congélateur pendant au moins quatre heures avant d'y ranger des aliments.

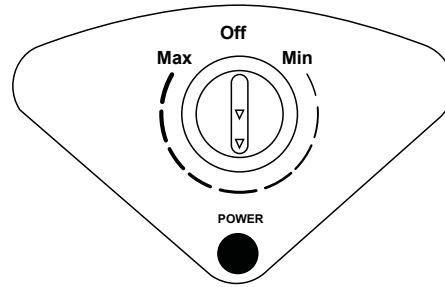
## Commande de température

Le réglage de la température de congélation s'effectue en plaçant la commande à une position variant entre <<Min>> et <<Max>> (température la plus basse).

Si vous désirez une température plus basse ou plus élevée, réglez la commande d'une position à la fois.

Il faudra attendre quelques heures après chaque règlement de la commande pour que la température du congélateur se stabilise.

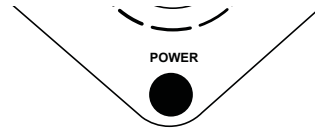
Le fait de régler la commande à OFF (éteint) arrête la congélation mais ne coupe pas l'alimentation électrique du congélateur.



## Voyant marche-arrêt (sur certains modèles)

Le voyant marche-arrêt vous indique que le congélateur est correctement raccordé à l'alimentation électrique.

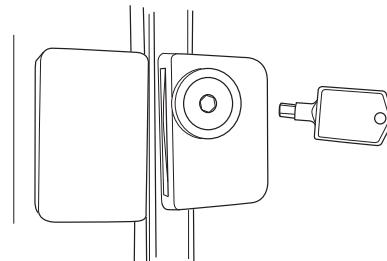
Le voyant reste allumé même lorsque la commande de température est réglée à OFF (éteint).



## Key-Ejecting Lock (on some models)

The lock is spring loaded so the key cannot be left in the lock. To lock or unlock, press the key in while turning. If the key is lost, contact your dealer for a replacement or go to **GEApplianceParts.com**. Always give the model and serial number of the freezer when requesting a replacement key.

**⚠ AVERTISSEMENT** To prevent a child from being entrapped, keep the key out of reach of children and away from the freezer.



## Directives de dégivrage

Dans la plupart des climats, il faut dégivrer l'appareil seulement deux fois par année.

Pour un fonctionnement efficace de votre congélateur, ne laissez pas s'accumuler plus de 1/2 po (13 mm).

**▲ AVERTISSEMENT** **Risque d'incendie et d'explosion. Contient un fluide frigorigène inflammable.**  
Éliminez le givre en grattant avec une spatule en plastique ou en bois ou un racloir. N'utilisez pas de pic à glace ou d'outil métallique ou à bord tranchant pour éviter de perforer la cuve interne du congélateur et la tuyauterie du fluide frigorigène inflammable derrière celle-ci.  
N'utilisez aucun appareil électrique pour effectuer le dégivrage de votre congélateur.

### Dégivrage complet

1. Réglez la commande de température sur OFF (éteint) et débranchez le congélateur.
2. Retirez tous les aliments de l'appareil et placez-les dans des boîtes en carton ondulé, des sacs isolants, des glacières, etc. Enveloppez-les dans des couvertures ou des journaux pour les isoler, au besoin.
3. Laissez la porte ou le couvercle ouvert et placez à l'intérieur de l'appareil des casseroles d'eau chaude pour accélérer le décolllement du givre. Enlevez les gros morceaux de givre avant qu'ils fondent.
4. Épongez le surplus d'eau dans le fond du congélateur au fur et à mesure pour éviter tout débordement.
5. Après le dégivrage, nettoyez l'intérieur du congélateur (voir la section Entretien et nettoyage).
6. Réinstallez le bouchon d'écoulement à l'intérieur du congélateur et remettez le capuchon sur l'écoulement de dégivrage. Repliez et séchez le joint qui se trouve du côté des charnières du couvercle.
7. Rebranchez le congélateur. Réglez la commande de température à sa position initiale et remettez les aliments au congélateur.

Modèles coffre possèdent un écoulement pour l'eau de dégivrage à l'avant. Retirez le bouchon du tuyau d'écoulement à partir de l'extérieur et le bouchon de vidange à l'intérieur de la caisse.

**REMARQUE :** De l'eau peut dégoutter du rebord du couvercle pendant le dégivrage. Ce phénomène est normal. De la glace s'accumule dans l'isolation du couvercle lorsqu'on ouvre celui-ci pour rajouter ou retirer des aliments, et fond pendant le dégivrage.

# Conseils de dépannage

## Nettoyage de votre congélateur

■ **Extérieur.** Protégez le fini de l'appareil. La carrosserie du congélateur est recouverte d'une peinture de haute qualité, cuite au four. Si vous l'entretenez de la façon appropriée, le fini ne rouillera pas et conservera son aspect neuf pendant des années. Appliquez une couche de cire pour électroménagers lorsque vous recevez votre appareil et, par la suite, au moins deux fois par année. La cire pour électroménagers se révèle également efficace pour enlever les résidus de ruban gommé sur les surfaces du congélateur.

**Gardez le fini propre.** Essuyez-le avec un linge propre légèrement humecté de cire pour électroménagers ou de détergent liquide doux pour la vaisselle. Essuyez et polissez avec un linge doux et propre. N'essuyez pas le congélateur avec un linge à vaisselle sale ou une serviette humide. N'utilisez pas de tampons à récurer, de produits nettoyants en poudre, de javellisants ou de produits nettoyants contenant du javellissant.

**REMARQUE :** Faites attention lorsque vous éloignez le congélateur du mur, car vous risquez d'endommager le revêtement de sol, plus particulièrement ceux qui sont coussinés ou dont la surface est gaufrée.

■ **Intérieur.** Nettoyez l'intérieur de votre congélateur au moins une fois par année. Nous vous recommandons de débrancher l'appareil avant le nettoyage. Si cela est trop difficile, tordez bien votre linge ou votre éponge pour enlever l'excès d'eau lorsque vous nettoyez autour des interrupteurs, des lampes et des commandes.

Nettoyez à l'aide d'une solution d'eau chaude et de bicarbonate de soude— environ 1 cuillère à soupe (15 ml) de bicarbonate par pinte (litre) d'eau. Rincez à fond avec de l'eau et essuyez. N'utilisez pas de poudres à récurer ni de produits nettoyants abrasifs. NE lavez PAS les parties amovibles dans le lave-vaisselle.

Laissez une boîte ouverte de bicarbonate de soude dans le congélateur pour absorber les odeurs. Remplacez la boîte tous les trois mois.

## Lors d'une panne de courant prolongée

- Gardez le couvercle du congélateur fermé. Votre congélateur peut garder les aliments congelés pendant 24 heures lorsque le couvercle n'est pas ouvert.
- Si le congélateur ne fonctionne pas pendant plus de 24 heures, ajoutez de la glace sèche. Placez de gros morceaux de glace dans l'appareil. Ajoutez-en davantage au besoin.

**ATTENTION** La manipulation de glace sèche peut causer des gelures aux mains—il est recommandé de porter des gants ou autre équipement de protection.

- Si vous ne disposez pas de glace sèche, enlevez les aliments et placez-les temporairement dans une armoire pour produits congelés jusqu'à ce que le courant soit rétabli.

## Déménagement

Débranchez le cordon d'alimentation de la prise murale. Retirez tous les aliments, faites dégivrer, puis nettoyez le congélateur.

Fixez toutes les pièces mobiles, commela grille et les clayettes, en les immobilisant à l'aide de ruban gommé afin d'éviter de les endommager.

Assurez-vous que le congélateur demeure debout pendant le déménagement et dans le camion. L'appareil doit être immobilisé dans le camion. Protégez l'appareil à l'aide d'une couverture.

## Lorsque vous partez en vacances

Pour assurer le bon fonctionnement de votre congélateur pendant vos vacances, assurez-vous que l'alimentation secteur de votre résidence n'est pas coupée. Pour assurer la protection des denrées dans votre congélateur, vous pouvez demander à un voisin de vérifier toutes les 48 heures l'alimentation électrique et le fonctionnement de votre congélateur.

Lorsque vous vous absentez pendant une période prolongée, il peut être préférable de ranger temporairement vos aliments congelés dans une armoire de rangement pour produits congelés. Si vous laissez votre congélateur vide, débranchez le cordon d'alimentation de la prise de courant. Pour prévenir la formation d'odeurs, placez une boîte ouverte de bicarbonate de soude dans le congélateur et laissez la porte ou le couvercle de l'appareil ouvert.

Lorsque le congélateur ne fonctionne pas, il peut être laissé dans une pièce non chauffée sans que l'appareil ou son mécanisme ne subissent de dommages.

# Préparatifs pour l'installation

**Veillez lire toutes les directives attentivement.**

## Emplacement du congélateur

Votre congélateur doit être installé à un endroit pratique, en vue d'une utilisation quotidienne, dans une pièce bien aérée où l'air est sec.

N'installez pas votre congélateur dans l'endroit où la température est au-dessous de 0° F ou au-dessus de 110° F parce qu'il ne maintiendra pas les températures appropriées.

Assurez-vous que le plancher sur lequel sera installé votre congélateur est suffisamment solide pour le supporter lorsqu'il est plein.

N'installez pas le congélateur dans un endroit exposé à l'eau de pluie ou aux rayons directs du soleil.

Pour qu'il puisse offrir un rendement optimum, le congélateur doit reposer solidement sur le sol. Vous pouvez installer des cales lorsque le sol est inégal. Si l'endroit choisi pour l'installation du congélateur est humide ou mouillé, installez des morceaux de bois de 2 po x 4 po (51 mm X 102 mm) sous l'appareil, sur toute la longueur, pour assurer un support adéquat.

## Dégagements

Sur tous les modèles, prévoyez un dégagement de 3 po (76 mm) de chaque côté, à l'arrière et au-dessus de l'appareil afin d'assurer une circulation d'air adéquate. Laissez suffisamment d'espace au-dessus du couvercle pour permettre son ouverture.

## Démontage du couvercle

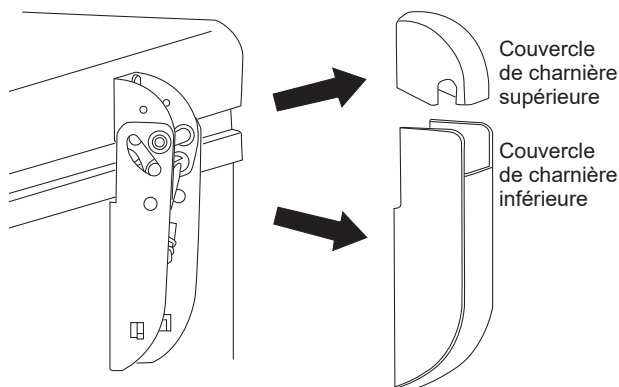
**ATTENTION** RISQUE ASSOCIÉ À UN POIDS LOURD

Le couvercle est lourd. Utilisez les deux mains pour bien agripper le couvercle avant de le soulever.

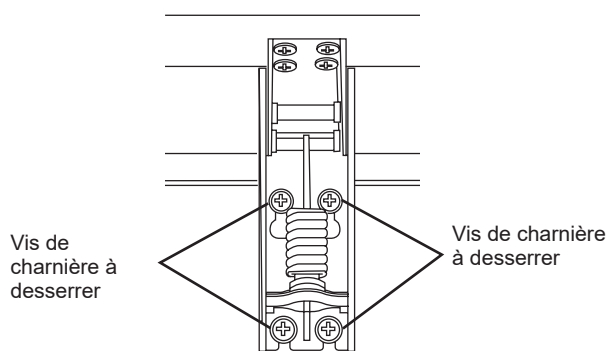
**ATTENTION** RESSORT DE CHARNIÈRE SOUS TENSION

S'il est nécessaire de retirer le couvercle, suivez les étapes suivantes :

1. Enlevez chaque couvercle de charnière supérieure en agrippant par les côtés et tirant vers le haut. Enlevez chaque couvercle de charnière inférieure en agrippant par les côtés et tirant vers le bas.



2. Ouvrez le couvercle au maximum. (Les charnières sont moins serrées dans cette position.)
3. Desserrez, sans les retirer, les 4 vis de la partie inférieure de la charnière qui sont vissées dans la carrosserie.



4. Levez le couvercle jusqu'à ce que les vis s'alignent sur les orifices allongés les plus grands dans le bas de la charnière. Chaque charnière est toujours attachée au couvercle par 4 vis.
5. Pour reposer le couvercle, suivez les étapes dans l'ordre inverse. Serrez toutes les vis de charnière mais évitez de trop serrer pour ne pas fausser le filetage. Reposez les couvercles de charnière.

# Conseils de dépannage... Avant de faire un appel de service

Économisez temps et argent! Consultez d'abord les tableaux des pages suivantes et vous pourriez vous éviter un appel de service.

Problème	Causes possibles	Correctifs
Le congélateur ne fonctionne pas ou le voyant march-arrêt n'est pas allumé	Commande de température réglée à OFF (éteint).	Réglez la commande à un réglage de température.
	Le congélateur n'est pas branché.	Enfoncez bien la fiche dans la prise murale.
	Le fusible est grillé/le disjoncteur est déclenché.	Remplacez le fusible ou réenclenchez le disjoncteur.
Le congélateur se met en marche et s'arrête trop fréquemment	Porte ou couvercle laissé ouvert.	Vérifiez qu'il n'y a pas un paquet qui empêche le couvercle de se fermer.
	Ouverture trop fréquente ou trop prolongée du couvercle.	Ouvrez moins fréquemment le couvercle.
	Commande réglée à une température trop basse.	Consultez Utilisation du congélateur
Le congélateur fonctionne trop longtemps	Porte ou couvercle laissé ouvert.	Vérifiez qu'il n'y a pas un paquet qui empêche le couvercle de se fermer.
	Ouverture trop fréquente ou trop prolongée du couvercle.	Ouvrez moins fréquemment le couvercle.
	Commande réglée à une température trop basse.	Consultez Utilisation du congélateur
	Circulation d'air inadéquate autour de l'appareil.	Consultez Préparatifs pour l'installation
Fonctionnement bruyant ou vibration de l'appareil	Le plancher peut manquer de solidité, ce qui fait vibrer le congélateur lorsque le compresseur fonctionne.	Assurez-vous que le congélateur est situé sur un plancher solide et utilisez des cales, au besoin, pour mettre l'appareil de niveau.
	L'appareil ne repose pas solidement sur le sol.	Voyez la section Préparatifs pour l'installation. Utilisez des cales, au besoin, pour mettre l'appareil de niveau.
Température trop élevée dans le congélateur	Porte ou couvercle laissé ouvert.	Vérifiez qu'il n'y a pas un paquet qui empêche le couvercle de se fermer.
	Ouverture trop fréquente ou trop prolongée du couvercle.	Ouvrez moins fréquemment le couvercle.
Les aliments dégèlent	Commande de température réglée à OFF (éteint).	Réglez la commande à un réglage de température.
	Le congélateur n'est pas branché.	Enfoncez bien la fiche dans la prise murale.
	Le fusible est grillé/le disjoncteur est déclenché.	Remplacez le fusible ou réenclenchez le disjoncteur.
	Porte ou couvercle laissé ouvert.	Vérifiez qu'il n'y a pas un paquet qui empêche le couvercle de se fermer.
	Ouverture trop fréquente ou trop prolongée du couvercle.	Ouvrez moins fréquemment le couvercle.
Température trop basse dans le congélateur	Commande réglée à une température trop basse.	Consultez <i>Fonctionnement de votre congélateur.</i>
De la condensation se forme sur l'extérieur de l'appareil	Phénomène normal par temps très humide.	Essayez bien l'extérieur.

## Conseils de dépannage... Avant de faire un appel de service

Problème	Causes possibles	Correctifs
La lampe intérieure ne s'allume pas (sur certains modèles).	Pas de courant à la prise.	Remplacez le fusible ou réenclenchez le disjoncteur.
	Le congélateur n'est pas branché.	Branchez la fiche comme il faut dans la prise de courant.
	L'ampoule est grillée.	Remplacez l'ampoule.
Le couvercle ne se ferme pas complètement de lui-même	Un paquet empêche le couvercle de se fermer.	Déplacez le paquet.
Remise en marche lente après une période de non-fonctionnement	Dispositif intégré de protection contre les surcharges.	Ceci est normal après que le congélateur ait été arrêté.
Accumulation excessive de givre	Porte ou couvercle laissé ouvert.	Vérifiez qu'il n'y a pas un paquet qui empêche le couvercle de se fermer.
	Ouverture trop fréquente ou trop prolongée du couvercle.	Ouvrez moins fréquemment le couvercle.
	Phénomène normal par temps très humide.	Essuyez les surfaces.

**NOTE :** Ne renvoyez pas l'appareil au magasin où vous l'avez acheté. Le congélateur est admissible pour le service à la maison. Pour le service de garantie, contactez-nous sur [electromenagersge.ca](http://electromenagersge.ca), ou appelez le 1.800.561.3344.

### Caractéristiques normales de fonctionnement

Ces phénomènes sont normaux et n'indiquent pas un besoin de réparation.

- L'extérieur du congélateur devient chaud lorsque le système de réfrigération transfère la chaleur de l'intérieur vers l'extérieur à travers les parois extérieures du congélateur.
- Le son du moteur du compresseur à rendement hautement efficace.

# Garantie limitée du congélateur

**Electromenagersge.ca**

**Pour les clients des États-Unis**, toutes les réparations en vertu de la garantie sont fournies par nos Centres de Service d'Usine ou par un technicien autorisé Customer Care®. Pour prévoir une réparation, consultez notre site **Electromenagersge.ca** ou appelez le 800.561.3344.. Veuillez avoir votre numéro de série et votre numéro de modèle à portée de main lorsque vous appelez pour obtenir un service.

<b>Pendant la période de :</b>	<b>GE Appliances remplacera</b>
<b>Un An</b> A compter de la date d'achat initial	Toute pièce du congélateur qui s'avère défectueuse en raison d'un défaut de matériau ou de fabrication. Durant cette période de Un (1) an à partir de la date d'achat d'origine, GE Appliances décidera, à sa discrétion, de remplacer ou de réparer l'appareil défectueux. Dans l'éventualité où GE Appliances déciderait de réparer l'appareil durant cette période de garantie limitée de un (1) an, GE Appliances fournira toute pièce du congélateur qui s'avère défectueuse suite à un vice de matière ou de fabrication et assumera tous les coûts de main-d'œuvre et de service associés au remplacement de la pièce défectueuse. Dans l'éventualité où GE Appliances déciderait de remplacer l'appareil durant cette période de garantie limitée de un (1) an, elle pourra procéder en vous remettant un certificat échangeable contre un produit de remplacement chez un détaillant.

## Ce qui n'est pas couvert :

- Toute visite à votre domicile pour vous expliquer le fonctionnement de l'appareil.
- Mauvaise installation, livraison ou entretien.
- Toute défectuosité du produit lorsqu'il est utilisé de façon abusive, ou à des fins commerciales ou à toute autre fin que celle pour laquelle il a été conçu.
- Perte des aliments due à la détérioration.
- Dommage subi après la livraison.
- Le remplacement des fusibles ou le réenclenchement des disjoncteurs.
- Tout dommage au produit attribuable à un accident, un incendie, une inondation ou un cas de force majeure.
- Tout dommage direct ou indirect attribuable à une défectuosité éventuelle de l'appareil.
- Le service s'il est impossible d'avoir accès au produit pour ce faire.
- Les coûts associés lorsque GE décide de remettre au consommateur un certificat échangeable contre un produit de remplacement.

**EXCLUSION DES GARANTIES TACITES - Votre recours exclusif est l'échange du produit suivant les modalités de la Garantie Limitée. Toutes garanties tacites, y compris les garanties de valeurs marchandes ou d'adéquation à des fins particulières, sont limitées à une durée d'un an ou à la durée la plus courte autorisée par la loi.**

**Pour les clients des États-Unis :** Cette garantie limitée est étendue à l'acheteur d'origine et aux propriétaires suivants pour tout produit acheté pour une utilisation domestique aux États-Unis. Si le produit est installé dans une région où ne se trouve aucun réparateur autorisé GE Appliances, vous devrez peut-être assumer les frais de transport ou apporter l'appareil à un centre de service autorisé GE Appliances. En Alaska, cette garantie limitée exclut le coût d'expédition ou de dépannage à votre domicile.

Certains états n'acceptent pas d'exclusion ou de limites aux dommages indirects consécutifs. Certains droits particuliers vous sont dévolus en vertu de la présente garantie limitée et peuvent s'accompagner d'autres droits qui varient selon votre lieu de résidence. Pour connaître vos droits juridiques, veuillez consulter le bureau local ou le bureau d'état des affaires aux consommateurs ou le Procureur Général de votre état.

**Garant : États-Unis : GE Appliances, a Haier company**  
Louisville, KY 40225

**Pour les consommateurs canadiens :** Cette garantie est étendue à l'acheteur d'origine et aux propriétaires suivants pour tout produit acheté au Canada pour une utilisation domestique au Canada. Le service à domicile en vertu de la garantie sera fourni dans les régions où il est disponible et où MC Commercial Inc estime raisonnable de le fournir.

**Garant Canada : MC Commercial Inc, Burlington, Ontario, L7R 5B6**

Agrafez votre facture ici. Pour bénéficier du service de réparation sous garantie, une preuve de la date d'achat initial est nécessaire.

**GARANTIE LIMITÉE**



# Soutien au consommateur

---

## Site Web de GE Appliances

Vous avez une question ou vous avez besoin d'aide pour votre appareil électroménager? Visitez le site Web de GE Appliances 24 heures par jour, tous les jours de l'année! Vous pouvez aussi y trouver d'autres formidables produits GE Appliances et tirer avantage de tous nos services d'assistance en ligne. Aux États-Unis : **GEAppliances.com**  
Au Canada : **GEAppliances.ca**

---

## Enregistrez votre électroménager

Enregistrez votre nouvel appareil en ligne au moment qui vous convient le mieux! L'enregistrement de votre produit dans les délais prescrits permet une meilleure communication et un service rapide, selon les modalités de votre garantie, si besoin est. Vous pouvez également envoyer par courrier la carte d'enregistrement pré-imprimée qui se trouve dans l'emballage de votre appareil.

Aux États-Unis : **GEAppliances.com/register**

Au Canada : **Prodsupport.mabe.ca/crm/Products/ProductRegistration.aspx**

---

## Service de réparation

Un service de réparation expert GE Appliances se trouve à quelques pas de chez vous. Rendez-vous sur notre site et programmez, à votre convenance, une visite de réparation à n'importe quel jour de l'année.

Aux États-Unis : **GEAppliances.com/service** ou composez le 800.432.2737 durant les heures normales de bureau.

Au Canada : **GEAppliances.ca/en/support/service-request** ou composez le 800.561.3344

---

## Prolongation de garantie

Procurez-vous une prolongation de garantie GE Appliances et informez-vous des rabais spéciaux en vigueur pendant la durée de votre garantie. Vous pouvez vous la procurer en ligne en tout temps. Les services GE Appliances seront toujours disponibles après l'expiration de la garantie. Aux États-Unis :

**GEAppliances.com/extended-warrant** you composez le 800.626.2224 durant les heures normales de bureau.

Au Canada : **GEAppliances.ca/en/support/purchase-extended-warranty** ou composez le 800.290.9029

---

## Pièces et accessoires

Les personnes ayant les compétences requises pour réparer elles-mêmes leurs appareils peuvent recevoir directement à la maison des pièces ou accessoires (les cartes VISA, MasterCard et Discover sont acceptées). Commandez en ligne 24 heures par jour.

Aux États-Unis : **GEApplianceparts.com** ou par téléphone au 877.959.8688 durant les heures normales de bureau.

**Les instructions contenues dans le présent manuel comportent des procédures que tout utilisateur peut effectuer. Les autres types de réparation doivent généralement être confiés à un technicien qualifié. Utilisez de prudence : une réparation ou un entretien mal effectués peuvent rendre l'utilisation de l'appareil dangereuse.**

Les consommateurs au Canada doivent consulter les pages jaunes pour connaître le centre de service Mabe le plus proche, visiter notre site Web au **GEAppliances.ca/en/products/parts-filters-accessories** ou composer le 1.800.661.1616.

---

## Communiquez avec nous

Si vous n'êtes pas satisfait du service après-vente de GE Appliances, communiquez avec nous depuis notre site Web en fournissant tous les détails dont votre numéro de téléphone, ou écrivez à :

Aux États-Unis : General Manager, Customer Relations | GE Appliances, Appliance Park | Louisville, KY 40225  
**GEAppliances.com/contact**

Au Canada : Director, Consumer Relations, Mabe Canada Inc. | Suite 310, 1 Factory Lane | Moncton, N.B. E1C 9M3  
**GEAppliances.ca/en/contact-us**





# FREEZERS HORIZONTALES

## INFORMACIÓN DE SEGURIDAD 3

USO DEL FREEZER.....5  
Instrucciones para descongelar .....6

## ENTRETIEN ET NETTOYAGE...7

INSTALACIÓN .....8

SOLUCIONAR PROBLEMAS...9  
Características de  
funcionamiento normales .....10

GARANTÍA LIMITADA .....11

SERVICIO AL CONSUMIDOR.12

## MANUEL D'UTILISATION ET D'INSTALLATION

Modelo con descongela miento  
manual:  
FCM5, FCM7, FCM11

**ESPAÑOL**

Escriba los números de modelo  
y de serie aquí:

Número de modelo : \_\_\_\_\_

Número de serie: \_\_\_\_\_

Los encontrará en una placa en la  
parte superior central detrás de la  
unidad

## **GRACIAS POR HACER QUE GE APPLIANCES SEA PARTE DE SU HOGAR.**

---

Ya sea que haya crecido usando GE Appliances, o que ésta es su primera vez, nos complace tenerlo en la familia.

Sentimos orgullo por el nivel de arte, innovación y diseño de cada uno de los electrodomésticos de GE Appliances, y creemos que usted también. Entre otras cosas, el registro de su electrodoméstico asegura que podamos entregarle información importante del producto y detalles de la garantía cuando los necesite.

Registre su electrodoméstico GE ahora a través de Internet. Sitios Web y números telefónicos útiles están disponibles en la sección de Soporte para el Consumidor de este Manual del Propietario.

También puede enviar una carta en la tarjeta de inscripción preimpresa que se incluye con el material embalado.



**GE APPLIANCES**

# INFORMACIÓN IMPORTANTE DE SEGURIDAD

## LEA TODAS LAS INSTRUCCIONES ANTES DE USAR LA MÁQUINA

### ⚠️ ADVERTENCIA

A fin de reducir el riesgo de incendio, explosión, descargas eléctricas o lesiones al usar su refrigerador, siga estas precauciones básicas de seguridad:

- Este freezer se deberá instalar y ubicar adecuadamente de acuerdo con las Instrucciones de Instalación antes de ser usado.
- Desenchufe el freezer antes de hacer reparaciones, ya sea reemplazar una lámpara de luz o hacer una limpieza.  
**NOTA:** La corriente que va al freezer no puede ser desconectada por ninguna configuración del panel de control.  
**NOTA:** Las reparaciones deberán ser realizadas por un Profesional del Servicio Técnico calificado.
- Reemplace todas las piezas y paneles antes del uso.
- Mantenga cualquier material y vapores inflamables alejados del refrigerador.
- No guarde sustancias explosivas tales como latas de aerosoles con propelentes inflamables en este electrodoméstico.
- No use un prolongador.
- A fin de evitar riesgos de que los niños sufran asfixia o queden atrapados, retire la tapa del freezer antes de deshacerse o dejar de usar el mismo.
- Para evitar lesiones graves o la muerte, los niños no se deberán parar sobre ni jugar en o con el electrodoméstico.
- Los niños y las personas con capacidad física, sensorial o mental reducida o con falta de experiencia y conocimiento podrán usar este electrodoméstico sólo si son supervisados o les fueron dadas instrucciones sobre un uso seguro y entienden los riesgos involucrados.
- Este electrodoméstico fue diseñado para uso hogareño y para aplicaciones similares tales como: áreas de personal de cocina en tiendas, oficinas y otros espacios laborales; casas de campo; por clientes en hoteles, moteles, hostales y otros espacios residenciales, catering y aplicaciones no minoristas similares.

### ⚠️ PRECAUCIÓN

Para reducir el riesgo de lesiones al usar el freezer, siga estas precauciones básicas.

- No limpie el freezer con agua caliente cuando se encuentre frío. Los componentes se pueden romper si son expuestos a cambios de temperatura repentinos o impactos, tales como sacudones o caídas.
- Mantenga los dedos fuera de los espacios de "riesgo de lastimaduras"; los espacios de despeje entre la tapa y el gabinete son necesariamente pequeños. Tenga el cuidado de cerrar las puertas cuando haya niños dentro del área.
- No toque las superficies frías del compartimiento del freezer cuando las manos estén húmedas o mojadas, ya que la piel se podrá adherir a estas superficies extremadamente frías.
- No vuelva a congelar comidas que hayan estado totalmente congeladas en forma previa.

### ⚠️ ADVERTENCIA



### RIESGO DE INCENDIO O EXPLOSIÓN Refrigerantes Inflamables

**Este electrodoméstico cuenta con refrigerante isobutano, también conocido como R600a, un gas natural con alto nivel de compatibilidad medioambiental. Sin embargo, también es combustible. Siga las advertencias que figuran a continuación, a fin de reducir el riesgo de lesiones o daños sobre la propiedad.**

1. Al mover, instalar y operar el electrodoméstico, se deberá tener cuidado de no dañar la tubería del refrigerante.
2. El servicio técnico sólo debe ser realizado por personal autorizado del servicio. Use sólo piezas del servicio autorizadas por el fabricante
3. Descarte el electrodoméstico de acuerdo con las Regulaciones Federales y Locales. El refrigerante inflamable y el material aislante inflamable usados requieren procedimientos de descarte especiales. Comuníquese con las autoridades locales para descartar su electrodoméstico de forma ambientalmente segura.
4. Mantenga las aberturas de ventilación en el espacio de protección del electrodoméstico o en la estructura incorporada libres de obstrucción.
5. No use dispositivos mecánicos u otros medios para acelerar el proceso de descongelamiento.
6. No dañe el circuito del refrigerante.
7. No use dispositivos eléctricos dentro del compartimiento de almacenamiento de comida del electrodoméstico.

## LEA Y GUARDE ESTAS INSTRUCCIONES

# INFORMACIÓN IMPORTANTE DE SEGURIDAD

## LEA TODAS LAS INSTRUCCIONES ANTES DE USAR LA MÁQUINA

### INSTALLATION

#### **⚠ ADVERTENCIA** RIESGO DE INCENDIO O EXPLOSIÓN

Mantenga cualquier material y vapores inflamables alejados del freezer. Si no se cumple con esto se podrá producir una explosión, incendio o la muerte.

### CONEXIÓN DE LA ELECTRICIDAD

#### **⚠ ADVERTENCIA** RIESGO DE DESCARGA ELÉCTRICA

Enchufe en un tomacorriente con conexión a tierra de 3 cables.

No elimine el cable de conexión a tierra.

No use un adaptador.

No use un prolongador.

Si no se siguen estas instrucciones se podrá producir la muerte, incendios o descargas eléctricas.

**Nunca, bajo ninguna circunstancia, corte o elimine el tercer cable (tierra) del cable de corriente. Para su seguridad personal, este electrodoméstico debe estar adecuadamente conectado a tierra.**

El cable de corriente de este electrodoméstico cuenta con un enchufe de 3 cables (conexión a tierra) que se conecta a un tomacorriente de pared estándar de 3 cables (conexión a tierra) para minimizar la posibilidad de riesgos de descargas eléctricas por parte del mismo.

Contrate a un electricista calificado para que controle el tomacorriente y el circuito eléctrico, a fin de asegurar que el enchufe esté correctamente conectado a tierra.

En caso de contar con un tomacorriente de pared de 2 cables, es su responsabilidad y obligación reemplazarlo por un tomacorriente de pared de 3 cables correctamente conectado a tierra. No use un adaptador.

El freezer deberá estar siempre conectado a un enchufe específico con un índice de voltaje equivalente al que figura en la placa de calificación.

Se requiere un suministro eléctrico con fusible y conexión a tierra de 115 voltios de CA, 60 Hz, 15 o 20 amperes. Esto garantiza el mejor funcionamiento y además previene la sobrecarga de los circuitos del hogar, lo cual podría ocasionar riesgos de incendio debido al recalentamiento de cables.

Nunca desenchufe el refrigerador tirando del cable de corriente. Siempre tome su enchufe firmemente y empuje el mismo hacia fuera para retirarlo.

Inmediatamente interrumpa el uso de un cable de suministro de corriente dañado. Si el cable de corriente se encuentra dañado, su reemplazo deberá ser realizado por un profesional calificado del servicio técnico, utilizando una pieza del servicio técnico autorizada por el fabricante.

Al alejar el freezer de la pared, se deberá tener cuidado de que no ruede sobre ni dañe el cable de corriente.

### FORMA ADECUADA DE DESCARTAR SU ANTIGÜO CONGÉLATEUR

#### **⚠ ADVERTENCIA** PELIGRO DE SUFFOCATION Y ENTRAPMENT

El incumplimiento de estas instrucciones de eliminación puede causar la muerte o lesiones graves.

**IMPORTANTE:** Que un niño quede atrapado o que sufra una asfixia no son problemas del pasado. Los refrigeradores antiguos o abandonados aún son peligrosos, incluso aunque se conserven por "sólo unos pocos días". Si se deshará de su antiguo refrigerador, siga las siguientes instrucciones a fin de evitar accidentes.

**Antes de Descartar su Antiguo Refrigerador o Congélateur:**

- Retire la tapa del congelador.
- Deje los estantes en su lugar de modo que los niños no puedan trepar dentro con facilidad.

#### **Cómo Eliminar Refrigerantes y Gomaespumas:**

Descarte el electrodoméstico de acuerdo con las Regulaciones Federales y Locales. El refrigerante inflamable y el material aislante inflamable usados requieren procedimientos de descarte especiales.. Comuníquese con las autoridades locales para descartar su electrodoméstico de forma ambiental mente segura.

## LEA Y GUARDE ESTAS INSTRUCCIONES

# Uso del Freezer

## Cómo poner el congelador en funcionamiento

1. Limpie el interior del freezer con una solución suave de bicarbonato y agua (consulte la sección de Cuidado y Limpieza).
2. Conecte el cable al tomacorriente.
3. Asegúrese de que el control de temperatura esté configurado en 4.
4. Permita que el freezer funcione durante por lo menos cuatro horas antes de colocar comida dentro del mismo.

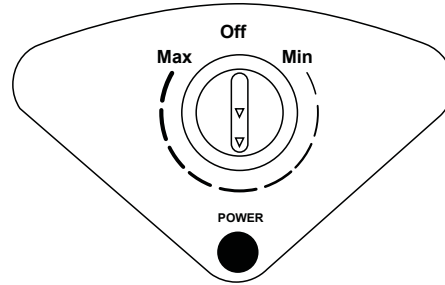
## Control de Temperatura

La selección de la temperatura de congelamiento se realiza configurando el control de "Min" a "Max" (lo más frío).

Si desea temperaturas más frías o más calientes, ajuste el control un paso por vez.

Espere varias horas luego de cada ajuste de a un paso, de modo que la temperatura del freezer se estabilice.

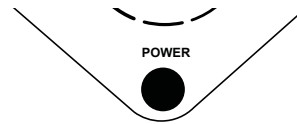
Girar el control a la posición OFF (Apagado) detiene el proceso de enfriamiento, pero no apaga el freezer.



## Luz de Encendido (en algunos modelos)

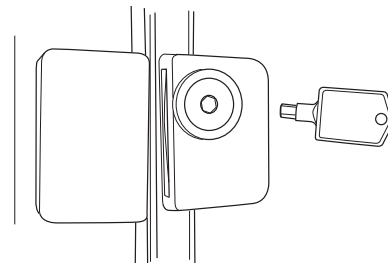
La Luz de Encendido indica que el freezer está correctamente conectado a la corriente eléctrica.

La luz brilla incluso cuando el control de temperatura se encuentra apagado.



## Cerradura con Eyector de Llave

La cerradura posee un resorte, de modo que la llave no pueda ser dejada en la misma. Para bloquear o desbloquear, presione la llave mientras la esté girando. Si se pierde la llave, comuníquese con su vendedor para un reemplazo o visite [GEApplianceParts.com](http://GEApplianceParts.com). Al solicitar una llave de reemplazo, siempre dé los números de modelo y serie del freezer.



### ⚠ ADVERTENCIA

A fin de evitar que un niño quede atrapado, guarde la llave fuera del alcance de los niños y lejos del freezer.

# Instrucciones para descongelar

En la mayoría de los climas, la descongelación será necesaria sólo dos veces por año.

Para que su freezer funcione de forma más eficiente, no permita que se acumule más de ½" (13 mm) de escarcha.

**⚠ ADVERTENCIA RIESGO DE INCENDIO O EXPLOSIÓN. Se usó un refrigerante inflamable.**

A fin de eliminar la escarcha, raspe con una espátula o raspador de plástico o madera. No use un pico de hielo o un instrumento de metal con forma puntiaguda, ya que esto podrá perforar el revestimiento del freezer y luego la tubería refrigerante inflamable detrás de éste.

No use ningún dispositivo eléctrico para descongelar su refrigerador.

## Para un descongelamiento completo

1. Gire la perilla de control de temperatura a la posición OFF (Apagar) y desenchufe el freezer.
2. Retire toda la comida y coloque la misma en cajas de cartón corrugado, bolsas con aislante, refrigeradores para picnic, etc. Use toallas y papeles de diario como aislante, según sea necesario.
3. Con la puerta/ tapa abierta, use ollas con agua caliente para que la escarcha se afloje de forma rápida. Retire las piezas grandes antes de que se derritan.
4. Retire el excedente de agua con una esponja del fondo del freezer a medida que se vaya acumulando, a fin de evitar desbordes.
5. Luego de la descongelación, limpie el interior del freezer (lea la sección Cuidado y Limpieza).
6. Reemplace el enchufe del drenaje dentro del gabinete y la tapa en el drenaje de descongelación. Pliegue y seque la junta del lado de la tapa donde se encuentra la bisagra.
7. Enchufe el freezer. Regrese el control de temperatura a su posición previa y vuelva a colocar la comida en el freezer.

Los modelos con baúl cuenta con un drenaje del agua descongelada en el frente. Retire la tapa del desagüe de la descongelación desde la parte exterior y el tapón de desagüe dentro del gabinete.

**NOTA:** Podrá gotear agua del reborde trasero del protector de la tapa durante el descongelamiento. Esto es normal. El hielo se acumula en el aislante de la tapa cuando la misma es abierta para agregar o retirar comida, y se derrite al realizar la descongelación.

# Cuidado y limpieza

## Limpieza del congelador

■ **Exterior.** Proteja el acabado de pintura. El acabado del exterior del congelador es un acabado de pintura curada de alta calidad. Con el cuidado apropiado, se conservará como nueva y sin óxido durante años. Aplique una capa de cera para pulir aparatos cuando el congelador es nuevo y luego, por lo menos dos veces al año. También se recomienda usar cera para pulir aparatos para retirar los residuos de cinta de las superficies del congelador.

**Mantenga limpio el acabado.** Use un paño limpio ligeramente humedecido en cera para pulir aparatos o detergente líquido suave para lavar platos. Seque y pule con un paño suave y limpio. No limpie el congelador con un paño para lavar platos sucio o una toalla húmeda. No use esponjas limpiadoras, limpiadores en polvo, lejía o limpiadores que contengan lejías.

**AVISO:** Se deben tomar precauciones al separar el congelador de la pared. Es posible que se dañen todos los tipos de coberturas para pisos, especialmente las coberturas acolchadas y las que tienen superficies en relieve.

■ **Interior.** Limpie el interior del congelador por lo menos una vez al año. Recomendamos desenchufar el congelador antes de limpiarlo. Si no fuera posible, exprima el exceso de humedad de la esponja o del paño cuando se limpie alrededor de botones, bombillas o controles.

Use agua caliente y una solución de bicarbonato de sodio—aproximadamente una cucharada (15 ml) de bicarbonato de sodio por cada cuarto (1 litro) de agua. Enjuague bien con agua y seque. No use polvos limpiadores ni otros limpiadores abrasivos. NO lave piezas desmontables en el lavavajillas.

Una caja de bicarbonato de sodio abierta absorberá los olores viciados del congelador. Cambie la caja cada tres meses.

## En caso de interrupción prolongada del suministro eléctrico

- Mantenga la tapa del congelador cerrada. El congelador mantendrá los alimentos congelados durante 24 horas siempre que no permita el ingreso de aire cálido.
- Si el congelador no recibe energía durante 24 horas o más, agregue hielo seco. Deje el hielo en trozos grandes. Agregue más hielo según sea necesario.

### ⚠ PRECAUCIÓN

La manipulación de hielo seco puede causar congelamiento en las manos; se recomienda el uso de guantes o de otro tipo de protección.

- Si no es posible conseguir hielo seco, traslade los alimentos a un armario para alimentos congelados hasta que se restablezca el suministro eléctrico.

## En caso de mudanza

Gire el control de temperatura hasta OFF (Apagado). Desconecte el enchufe de alimentación del tomacorriente de pared. Retire los alimentos, descongele (en los modelos con Descongelamiento manual) y limpie el congelador.

Asegure todos los elementos sueltos como canastas pegándolos con cinta adhesiva en su lugar para evitar daños.

Asegúrese de que el freezer permanezca en la posición de parado durante la mudanza y en el vehículo. El freezer debe estar asegurado en el vehículo a fin de evitar movimientos. Proteja el exterior del congelador con una manta.

## Preparación para vacaciones

A fin de mantener el freezer en funcionamiento durante las vacaciones, asegúrese de que la corriente de su casa no sea desconectada. Para una protección segura de los componentes del freezer, es recomendable solicitar a un vecino que controle el suministro de corriente y el funcionamiento del freezer cada 48 horas.

En caso de vacaciones o ausencias prolongadas, es preferible mover las comidas congeladas a un casillero de almacenamiento de forma temporaria. Si dejará el freezer vacío, desconecte el cable de corriente del tomacorriente. Para evitar la formación de olores, coloque una caja abierta de bicarbonato de sodio en el freezer y deje su puerta/ tapa abierta.

Cuando el freezer no esté en funcionamiento, se podrá dejar en una casa o habitación sin calefacción sin que se produzcan daños sobre el gabinete o el mecanismo.

# Pasos previos a la instalación

Lea estas instrucciones por completo y con cuidado.

## Ubicación del congelador

El freezer deberá ser convenientemente ubicado para el uso diario en un lugar seco y con buena ventilación.

No instale el freezer en lugares donde la temperatura sea inferior a 0°F o superior a los 110°F, ya que esto impedirá que se mantengan las temperaturas adecuadas.

Asegúrese de instalar el freezer en un piso lo suficientemente fuerte como para darle un buen apoyo cuando esté completamente lleno.

No instale el freezer en una ubicación expuesta al agua de lluvia o en contacto directo con la luz solar.

El freezer deberá estar posicionado de forma sólida en el piso, si funcionará en su máxima capacidad. Su freezer cuenta con patas niveladores ajustables que pueden ser giradas para un posicionamiento sólido en caso de que el piso esté desnivelado. Si el lugar elegido para el freezer posee humedad, coloque soportes de 2 x 4 (51 mm x 102 mm) debajo de toda su longitud para asegurar un apoyo adecuado.

## Despejes

En todos los modelos, deje 3" (76 mm) en la parte superior, trasera y lateral para una circulación apropiada de aire. Deje suficiente espacio sobre la parte superior de la tapa para abrir la misma

## Retiro de la Tapa

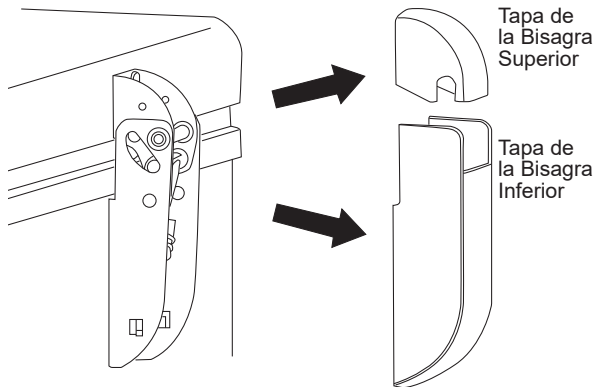
### ⚠ PRECAUCIÓN RIESGO AL LEVANTAR

La tapa es pesada. Use ambas manos para asegurar la tapa antes de levantar la misma.

### ⚠ PRECAUCIÓN RESORTE DE LA BISAGRA BAJO TENSIÓN

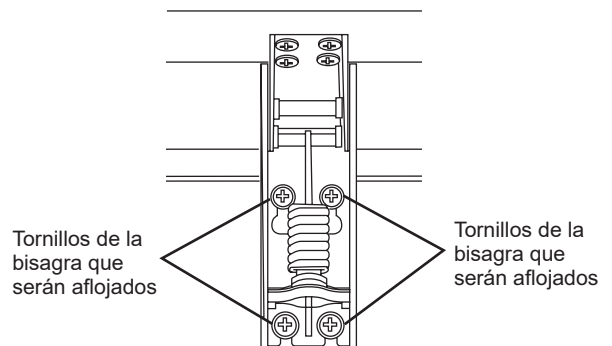
Si es necesario retirar la tapa, siga estos pasos:

1. Retire cada una de las tapas de la bisagra superior, tomando los costados y empujando hacia arriba. Retire cada una de las tapas de la bisagra inferior, tomando los costados y empujando hacia abajo.



2. Abra la tapa hasta su posición máxima. (Las bisagras quedan de la forma más suelta en esta posición).

3. Afloje, sin retirar, los 4 tornillos de la parte inferior de la bisagra que se encuentra montada al gabinete.



4. Levante la tapa hasta que los tornillos queden alineados con las aberturas ranuradas más grandes en la parte inferior de la bisagra. Cada bisagra aún se encuentra adherida a la tapa por los 4 tornillos.

5. Para reinstalar la tapa, siga los pasos de modo inverso. Ajuste todos los tornillos de las bisagras, pero no ajuste en exceso para evitar dañar la capa de pintura. Reinstale las tapas de las bisagras.



## Consejos para la Solución de Problemas... Antes de solicitar el servicio técnico

¡Ahorre tiempo y dinero! Primero revise los cuadros que aparecen en las siguientes páginas y es posible que no necesite solicitar reparaciones.

Problema	Causas Posibles	Qué hacer
El congelador no funciona o la Luz de encendido está apagada	El control de temperatura está en la posición <b>OFF</b> .	Mueva el control a una configuración de temperatura.
	El congelador está desenchufado.	Empuje la clavija completamente en el enchufe.
	Fusible fundido/interruptor de circuito roto.	Reemplace el fusible o reajuste el interruptor.
El congelador arranca/ se detiene con demasiada frecuencia	Se dejó la puerta/ tapa abierta.	Controle que no haya paquetes que impidan que la puerta/ tapa se cierre.
	Abrir la tapa con mucha frecuencia o por mucho tiempo.	Abra la tapa con menos frecuencia.
	El control del temperatura está en un nivel demasiado frío.	Vea Uso del Freezer
El congelador opera demasiado tiempo	Se dejó la tapa abierta.	Revise si hay un paquete que mantiene la tapa abierta.
	Abrir la tapa con mucha frecuencia o por mucho tiempo.	Abra la tapa con menos frecuencia.
	El control del temperatura está en un nivel demasiado frío.	Vea Uso del Freezer
	El espacio para circulación de aire alrededor del gabinete no es adecuado.	Vea Pasos previos a la instalación
Funcionamiento ruidoso o el gabinete vibra	El piso posiblemente sea débil, lo que hace que el congelador vibre cuando funciona el compresor.	Asegúrese de que el freezer esté ubicado en un piso sólido y use cuñas, según sea necesario, para nivelar la unidad.
	El gabinete no está firme en el piso.	Consulte la sección sobre Preparación para la instalación del freezer. Use cuñas, según sea necesario, para nivelar la unidad.
La temperatura del congelador es demasiado alta	Se dejó la tapa abierta.	Revise si hay un paquete que mantiene la tapa abierta.
	Abrir la tapa con mucha frecuencia o por mucho tiempo.	Abra la tapa con menos frecuencia.
Los alimentos se descongelan	El control de temperatura está en la posición <b>OFF</b> .	Gire el control de temperatura hasta una configuración entre 1 y 7
	El congelador está desenchufado.	Empuje la clavija completamente en el enchufe.
	Fusible fundido/interruptor de circuito roto.	Reemplace el fusible o reajuste el interruptor.
	Se dejó la tapa abierta.	Revise si hay un paquete que mantiene la tapa abierta.
	Abrir la tapa con mucha frecuencia o por mucho tiempo.	Abra la tapa con menos frecuencia.
La temperatura del congelador es demasiado baja	El control del temperatura está en un nivel demasiado frío.	Vea Uso del Freezer
Se forma humedad en la parte externa del gabinete	No es extraño durante períodos de alta humedad.	Seque la superficie con un paño suave.

## Consejos para la Solución de Problemas... Antes de solicitar el servicio técnico

Problema	Causas Posibles	Qué hacer
La luz interior no funciona (en algunos modelos).	No hay corriente en el tomacorriente.	Reemplace los fusibles o reinicie el disyuntor.
	El freezer se encuentra desenchufado.	Presione el enchufe completamente dentro del tomacorriente.
	La lámpara se quemó.	Reemplace la lámpara.
La tapa no se cierra completamente sola	Paquete mantiene la tapa abierta.	Mueva el paquete a una ubicación diferente.
Tiempo de arranque lento después de estar desconectado	Protección contra sobrecarga incorporada.	Esto es normal luego de estar apagado.
Acumulación excesiva de escarcha	Se dejó la tapa abierta.	Revise si hay un paquete que mantiene la tapa abierta.
	Abrir la tapa con mucha frecuencia o por mucho tiempo.	Abra la tapa con menos frecuencia.
	No es extraño durante períodos de alta humedad.	Seque la superficie.

**NOTA:** No devuelva el freezer a la tienda donde lo adquirió. Usted cuenta con el servicio técnico en el hogar para este freezer. Para el servicio de garantía, comuníquese con nosotros a través de **GEAppliances.com**, o llamando al 800.GE.CARES (U.S.), o 1.800.561.3344 (Canadá).

### Características de funcionamiento normales

Todo esto es normal y no indica necesidad de servicio.

- Gabinete exterior tibio a medida que el sistema de refrigeración transfiere calor desde el interior hacia el exterior a través de las paredes externas del gabinete.
- Sonido de motor compresor de alta eficiencia.

# Garantía limitada del congelateur

## GEAppliances.com

Todo el servicio de garantía es provisto por nuestros Centros de Servicio de Fabricación, o un técnico autorizado de Servicio al Cliente (Customer Care®). Para programar una visita del servicio técnico, visítenos en [GEAppliances.com/service](http://GEAppliances.com/service), o comuníquese al 800.GE.CARES (800.432.2737). Cuando llame para solicitar el servicio, tenga los números de serie y modelo disponibles.

Por el Período de:	GE Appliances Reemplazará
<b>Un Año</b> Desde la fecha de la compra original	Cualquier pieza del freezer que falle debido a un defecto en los materiales o la fabricación. Durante este período de Un Año desde la fecha de compra original, GE Appliances elegirá, de acuerdo a su decisión, reemplazar o realizar el servicio técnico sobre la unidad defectuosa. Durante esta garantía limitada de un año, si GE Appliances decide realizar el servicio técnico sobre la unidad, GE Appliances brindará cualquier pieza del freezer que falle debido a un defecto en los materiales o la fabricación y, sin costo, todos los servicios relacionados con el reemplazo de la pieza defectuosa. Durante esta garantía limitada de un año, si GE Appliances decide reemplazar la unidad, puede hacer esto brindándole un certificado reembolsable en una tienda minorista por un producto de reemplazo.

### Qué No Cubrirá GE Appliances:

- Viajes del técnico del servicio a su hogar para enseñarle sobre cómo usar el producto.
- Instalación inadecuada, entrega o mantenimiento.
- Fallas del producto en caso de abuso, mal uso, o uso para propósitos diferentes al original o uso comercial.
- Pérdida de alimentos por mal estado.
- Daño causado después de la entrega.
- Reemplazo de fusibles de la casa o reinicio de disyuntores.
- Daños ocasionados sobre el producto por accidente, incendio, inundaciones o catástrofes naturales.
- Daños consecuentes o incidentales causados por posibles defectos de este producto.
- Producto no accesible para brindar el servicio requerido.
- Costos asociados cuando GE decide entregar al consumidor un certificado como forma de reemplazo del producto.

**EXCLUSIÓN DE GARANTÍAS IMPLÍCITAS—Su único y exclusivo derecho es la reparación del producto, tal y como se indica en esta Garantía limitada. Cualquier garantía implícita, incluyendo las garantías implícitas de comerciabilidad o adecuación para un fin determinado, están limitadas a un año o el período de tiempo más breve permitido por la ley.**

**Para los clientes de EE.UU.** Esta garantía limitada se extiende al comprador original y a cualquier dueño subsiguiente de productos comprados para uso hogareño dentro de EE.UU. Si el producto está en un área donde no se encuentra disponible un Proveedor Autorizado del Servicio Técnico de GE Appliances, usted será responsable por el costo de un viaje o se podrá requerir que traiga el producto a una ubicación del Servicio Técnico de GE Appliances Autorizado para recibir el servicio. En Alaska, la garantía limitada excluye el costo de envío o llamadas del servicio a su hogar.

Algunos estados no permiten la exclusión o limitación de daños fortuitos o consecuentes. Esta garantía limitada le da derechos legales específicos y es posible que tenga otros derechos legales que varían entre un estado y otro. Para conocer cuáles son sus derechos legales, consulte a la oficina de asuntos del consumidor local o estatal o al Fiscal de su estado.

**Garante US: GE Appliances, a Haier company  
Louisville, KY 40225**

**Para Clientes en Canadá:** Esta garantía se extiende al comprador original y a cualquier dueño subsiguiente de productos comprados para uso hogareño dentro de Canadá. El servicio técnico hogareño de la garantía será brindado en áreas donde MC Commercial Inc. se encuentre disponible y lo considere apropiado.

**Warrantor Canada: MC Commercial Inc., Burlington, Ontario, L7R 5B6**

**GARANTÍA LIMITADA**

Abroche su recibo aquí. Para acceder al servicio técnico de acuerdo con la garantía deberá contar con la prueba de la fecha original de compra.

# Soporte para el Consumidor

---

## Sitio Web de GE Appliances

¿Desea realizar una consulta o necesita ayuda con su electrodoméstico? ¡Intente a través del Sitio Web de GE Appliances las 24 horas del día, cualquier día del año! Usted también puede comprar más electrodomésticos maravillosos de GE Appliances y aprovechar todos nuestros servicios de soporte a través de Internet, diseñados para su conveniencia.

En EE.UU.: [GEAppliances.com](http://GEAppliances.com)

---

## Registre su Electrodoméstico

¡Registre su electrodoméstico nuevo a través de Internet, según su conveniencia! Un registro puntual de su producto permitirá una mejor comunicación y un servicio más puntual de acuerdo con los términos de su garantía, en caso de surgir la necesidad. También puede enviar una carta en la tarjeta de inscripción preimpresa que se incluye con el material embalado.

En EE.UU.: [GEAppliances.com/register](http://GEAppliances.com/register)

---

## Servicio Programado

El servicio de reparación de expertos de GE Appliances está a sólo un paso de su puerta. Conéctese a través de Internet y programe su servicio a su conveniencia cualquier día del año. En EE.UU.: [GEAppliances.com/service](http://GEAppliances.com/service) o comuníquese al 800.432.2737 durante el horario de atención comercial.

---

## Garantías Extendidas

Adquiera una garantía extendida de GE Appliances y conozca los descuentos especiales que están disponibles mientras su garantía aún está vigente. La puede adquirir en cualquier momento a través de Internet. Los servicios de GE Appliances aún estarán allí cuando su garantía caduque.

En EE.UU.: [GEAppliances.com/extended-warranty](http://GEAppliances.com/extended-warranty) o comuníquese al 800.626.2224 durante el horario de atención comercial.

---

## Piezas y Accesorios

Aquellos individuos calificados para realizar el servicio técnico de sus propios electrodomésticos podrán solicitar el envío de piezas o accesorios directamente a sus hogares (se aceptan las tarjetas VISA, MasterCard y Discover). Ordene hoy a través de Internet durante las 24 horas, todos los días. En EE.UU.: [GEApplianceparts.com](http://GEApplianceparts.com) o de forma telefónica al 877.959.8688 durante el horario de atención comercial.

**Las instrucciones que figuran en este manual cubren los procedimientos que serán realizados por cualquier usuario. Otros servicios técnicos generalmente deben ser derivados a personal calificado del servicio. Se deberá tener cuidado, ya que una reparación indebida podrá hacer que el funcionamiento no sea seguro.**

---

## Contáctenos

Si no se encuentra satisfecho con el servicio que recibió de GE Appliances, comuníquese con nosotros a través de nuestro sitio Web con todos los detalles, incluyendo su número telefónico, o escriba a:

En EE.UU.: General Manager, Customer Relations | GE Appliances, Appliance Park | Louisville, KY 40225  
[GEAppliances.com/servic](http://GEAppliances.com/servic)