

# GFD55ESSN/ESPN

GE® 7.8 cu. ft. Capacity Front Load Electric Dryer

## DIMENSIONS AND INSTALLATION INFORMATION (IN INCHES)

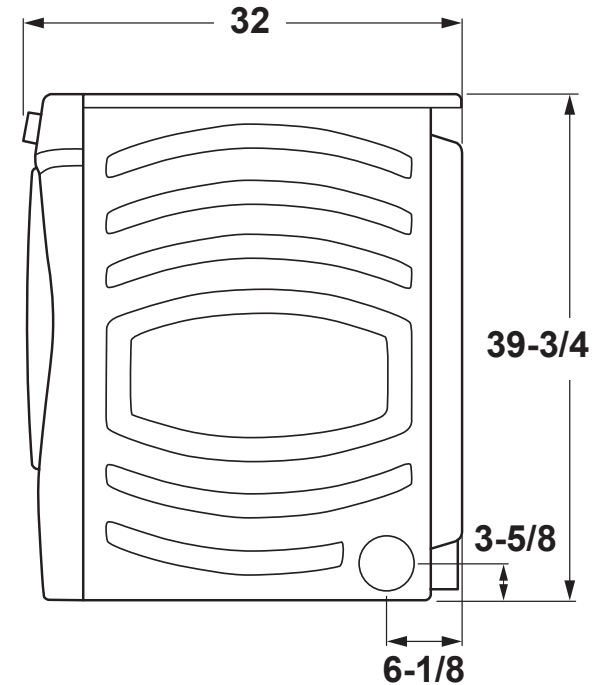
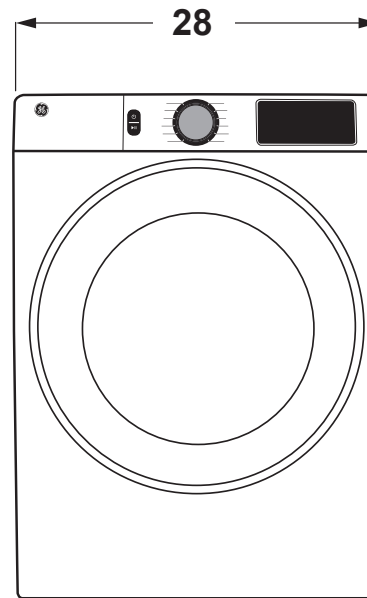
ELECTRIC DRYER RATING	
120V/240V	5600W, 25A, 60Hz
120V/208V	4300W, 23A, 60Hz

**EXHAUST OPTIONS:** 4-way via rear, right, left and bottom.

**CIRCUIT REQUIREMENTS:** An individual, properly grounded branch circuit, protected by a 30-amp circuit breaker or a time-delay fuse, is required.

**NOTE:** Dryer wall outlet must be located within 36" of service cord entry and accessible when dryer is mounted in position.

**INSTALLATION INFORMATION:** For complete information, see installation instructions packed with your dryer.



For answers to your Monogram, GE Café™ Series, GE Profile™ Series or GE Appliances product questions, visit our website at [geappliances.com](http://geappliances.com) or call GE Answer Center® Service, 800.626.2000.



Specification Created 9/19

# GFD55ESSN/ESPN

## GE® 7.8 cu. ft. Capacity Front Load Electric Dryer

### SPECIAL INSTALLATION REQUIREMENTS:

#### STACKED INSTALLATION:

Brackets for stacking dryer over washer are not included with the dryer. Order part no. GFA28KITN.

#### ALCOVE OR CLOSET INSTALLATION:

If your dryer is approved for installation in an alcove or closet, it will be label on the dryer back.

The dryer **MUST** be exhausted to the outside.

Minimum clearances between dryer cabinet and adjacent walls or other surfaces are: 0" all sides and top.\*

Closet doors must be louvered or otherwise ventilated and must contain a minimum of 60 sq. in. of open area equally distributed. If this closet contains both a washer and a dryer, doors must contain a minimum of 120 sq. in. of open area equally distributed.

No other fuel-burning appliance shall be installed in the same closet with a gas dryer.

#### BATHROOM OR BEDROOM INSTALLATION:

The dryer **MUST** be exhausted to the outdoors.

The installation must conform with the local codes, or in the absence of local codes, with the National Electric Code and National Fuel Gas Code, ANSI Z223 for gas dryers.

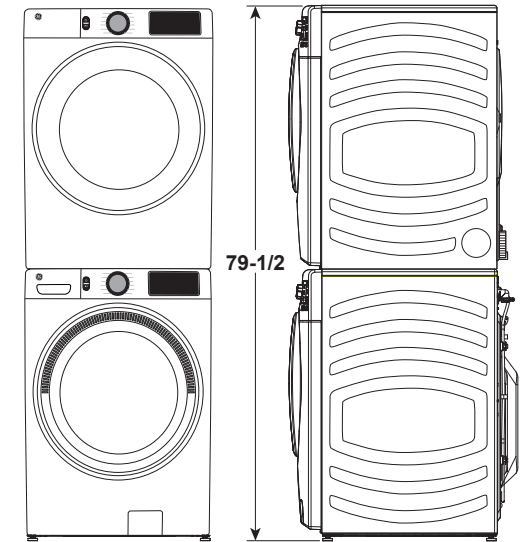
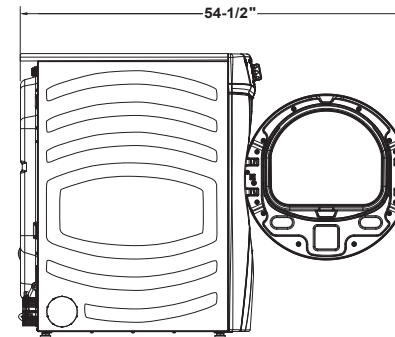
#### MINIMUM CLEARANCE OTHER THAN ALCOVE OR CLOSET INSTALLATIONS:

Minimum clearances to combustible surfaces 0" all sides and top.\*

#### FOR MORE INFORMATION ON VENTING KITS AND ACCESSORIES, PLEASE CALL 1-800-GE-CARES.

\*For improved performance, a 1/2" clearance is suggested on each side.

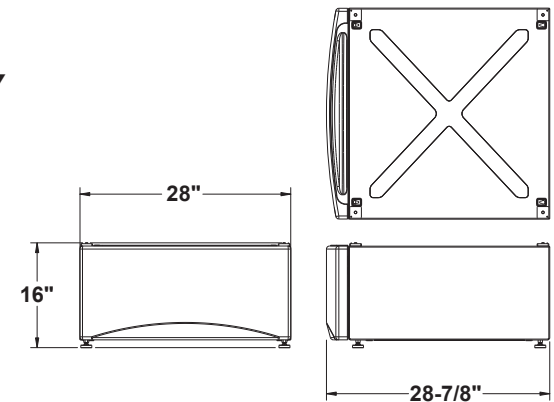
### STACKED DIMENSIONS (IN INCHES)



### PEDESTAL DIMENSIONS (IN INCHES)

**GFP1528PNDG - DIAMOND GRAY**  
**GFP1528PNRS - SAPPHIRE BLUE**  
**GFP1528PNSN - SATIN NICKEL**  
**GFP1528SNWW - WHITE**

This optional 16" pedestal raises the door opening and height of the washer or dryer.



For answers to your Monogram, GE Café™ Series, GE Profile™ Series or GE Appliances product questions, visit our website at [geappliances.com](http://geappliances.com) or call GE Answer Center® Service, 800.626.2000.



Specification Created 9/19

# GFD55ESSN/ESPN

## GE® 7.8 cu. ft. Capacity Front Load Electric Dryer

### DRYER EXHAUSTING INFORMATION -METAL DUCT ONLY

For complete information, see installation instructions packed with your dryer.

**DUCTING MATERIALS:** For best performance, this dryer should be vented with 4" diameter all rigid metal exhaust duct. If rigid metal duct cannot be used, then UL-listed flexible metal (semi-rigid) ducting can be used (Kit WX08X10077). In special installations, it may be necessary to connect the dryer to the house vent using a flexible metal (foil-type) duct. A UL-listed flexible metal (foil-type) duct may be used **ONLY** in installations where rigid metal or flexible metal (semi-rigid) ducting cannot be used AND where a 4" diameter can be maintained throughout the entire length of the transition duct. Please see installation instruction packed with your dryer for complete instructions when using flexible metal (foil type) ducting.

### EXHAUST LENGTH CALCULATION:

1. Determine the number of 90° turns needed for your installation. If you exhaust to the side or bottom of dryer, add one turn.
2. The maximum length of 4" rigid (aluminum or galvanized) duct which can be tolerated is shown in the table.

A turn of 45° or less may be ignored. Two 45° turns within the duct length should be treated as a 90° elbow.

A turn over 45° should be treated as a 90° elbow.

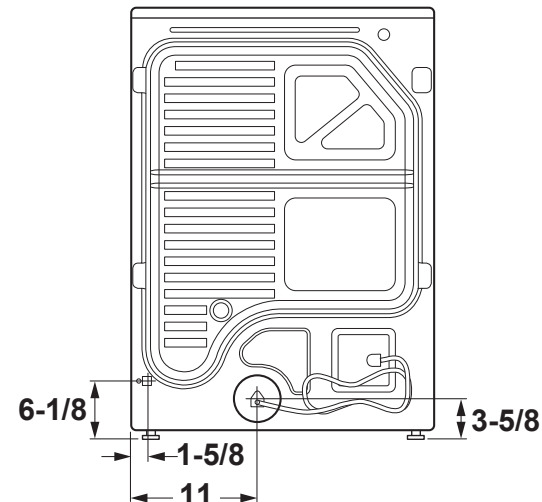
Dryers must be exhausted to the outside.

**CAUTION:** For personal safety do not terminate exhaust into a chimney, under any enclosed house floor (crawl space), or into an attic, since the accumulated lint could create a fire hazard or moisture could cause damage. Never terminate the exhaust into a common duct or plenum with a kitchen exhaust, since the combination of lint and grease could create a fire hazard.

Exhaust ducts should be terminated in a dampered wall cap to prevent back drafts, bird nesting, etc. The wall cap must also be located at least 12" above the ground or any other obstruction with the opening pointed down.

**FOR MORE INFORMATION ON VENTING KITS AND ACCESSORIES, PLEASE CALL 1-800-GE-CARES.**

		Best performance	
		Maximum length of 4" dia. rigid metal duct	
		Exhaust hood type	
Domestic dryer models	Number of 90° turns	A 4" opening	B 2-1/2" opening
		0	90 ft.
1	60 ft.	45 ft.	
2	45 ft.	35 ft.	
3	35 ft.	25 ft.	
4	25 ft.	15 ft.	



For answers to your Monogram, GE Café™ Series, GE Profile™ Series or GE Appliances product questions, visit our website at [geappliances.com](http://geappliances.com) or call GE Answer Center® Service, 800.626.2000.



# GFD55ESSN/ESPN

## GE® 7.8 cu. ft. Capacity Front Load Electric Dryer

### FEATURES AND BENEFITS

**Built-in WiFi** – Start, stop and monitor your laundry from anywhere while receiving real-time notifications and updates.

**Quick Dry** – Quickly dries items and small loads for families on the go.

**Sanitize Cycle** – Allows for a deeper clean with elevated temperatures designed to kill common household bacteria.

**Wrinkle Care** – Prevents wrinkles by extending the tumble without heat.

**HE Sensor Dry** – Prevent over-drying and protect your clothing thanks to innovative dual thermistor technology, that continually monitors temperature and moisture.

**Damp Alert** – Signals when delicate clothes reach the ideal dampness level for ironing or final air drying.

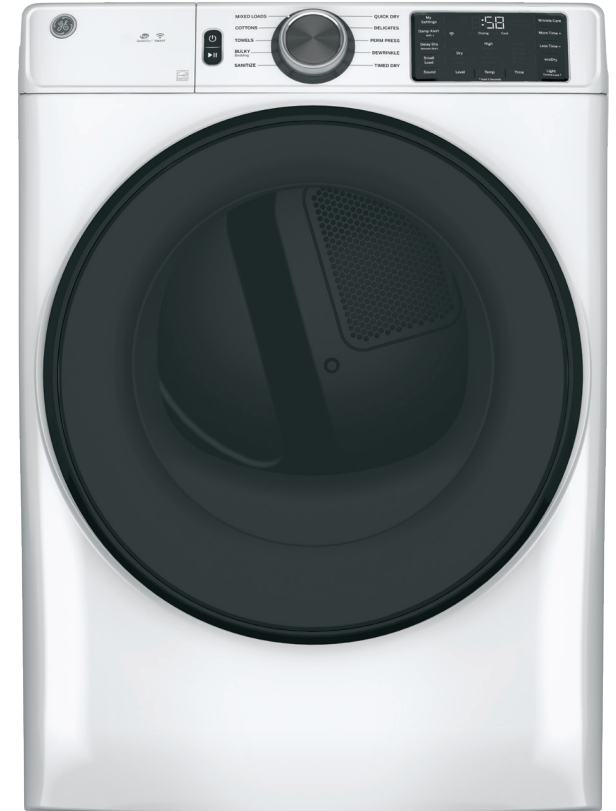
**Vent Sensor** – Provides alerts when a restriction is detected in your dryer vent.

**4 Way Venting** – Easy-to-change venting options provide the ultimate installation flexibility to fit in your home.

**Reversible door** – Easily reverse your washer and dryer door for superior installation flexibility.

Model GFD55ESSNWW – White

Model GFD55ESPNDG – Diamond Gray



*For answers to your Monogram, GE Café™ Series, GE Profile™ Series or GE Appliances product questions, visit our website at [geappliances.com](http://geappliances.com) or call GE Answer Center® Service, 800.626.2000.*

