

GTW720BPN/BSN

GE® 4.8 Cu. Ft. Capacity Washer with Tide PODS™ Dispense

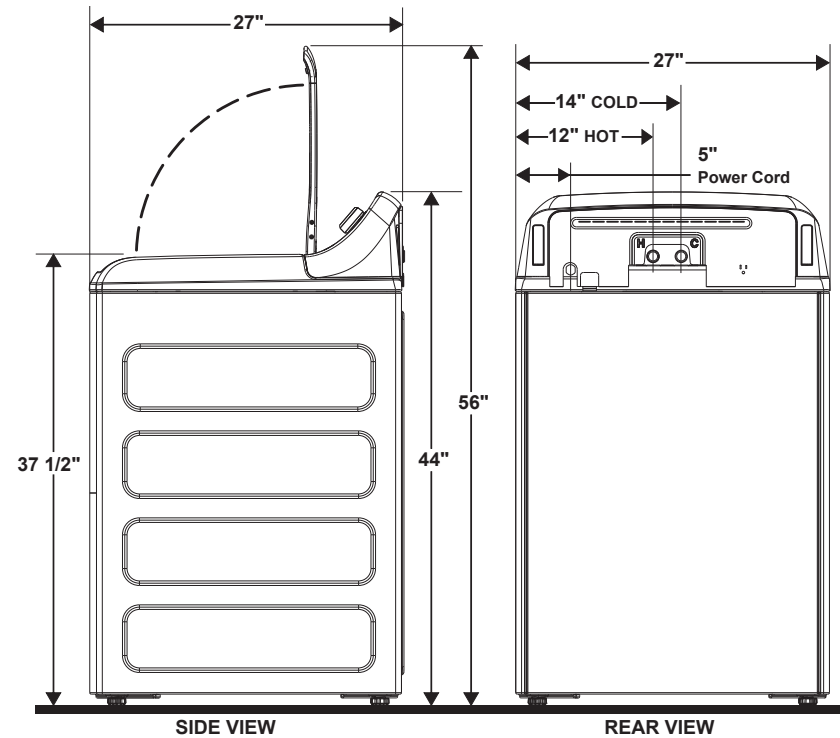
DIMENSIONS AND INSTALLATION INFORMATION (IN INCHES)

CIRCUIT REQUIREMENTS: An individual, properly-grounded branch circuit, with a three-prong grounding-type receptacle, protected by a 15 or 20 amp circuit breaker or a time-delay fuse, is required.

ELECTRICAL RATING: 120V, 60Hz, 10A

NOTE: Washer wall outlet must be located within 36" of service code entry. Wall outlet must not be located behind dryer.

INSTALLATION INFORMATION: Before installing, consult installation instructions packed with product for current dimensional data.



For answers to your Monogram, GE Café™ Series, GE Profile™ Series or GE Appliances product questions, visit our website at geappliances.com or call GE Answer Center® Service, 800.626.2000.



Specification Created 7/19

GTW720BPN/BSN

GE® 4.8 Cu. Ft. Capacity Washer with Tide PODS™ Dispense

FEATURES AND BENEFITS

Tide PODS™ Dispense – Achieve an optimal clean every time thanks to a dedicated water jet that pierces the detergent pack while a shower of water activates the detergent, for faster activation and increased cleaning power.

QuietWash – Enjoy a quieter wash and reduced vibration thanks to innovative Dynamic Balancing Technology.

Stain Removal Guide – Easily remove five of the most common stains with preset modifications available on each wash cycle.

Deep Fill – Customize your water-fill levels with just the touch of a button and fill the tub with as much water as you want so you can wash your way.

Multiple Rinse Options – Ultimate flexibility with your rinse cycles to remove detergent, fabric softener, and stubborn soils with options like Deep Rinse, Extra Rinse and Warm Rinse.

10-year warranty – Rest assured knowing your washer is backed by a 10-year warranty.

Sanitize with Oxi – Remove 99.9% of bacteria with a dedicated cycle that uses an Oxi additive to boost your detergent's cleaning power, while keeping fabrics looking and feeling their best.

Auto Soak – Loosens stains by soaking for up to 2 hours.

Speed Wash – Provides a quick wash for lightly soiled items that are needed in a hurry.

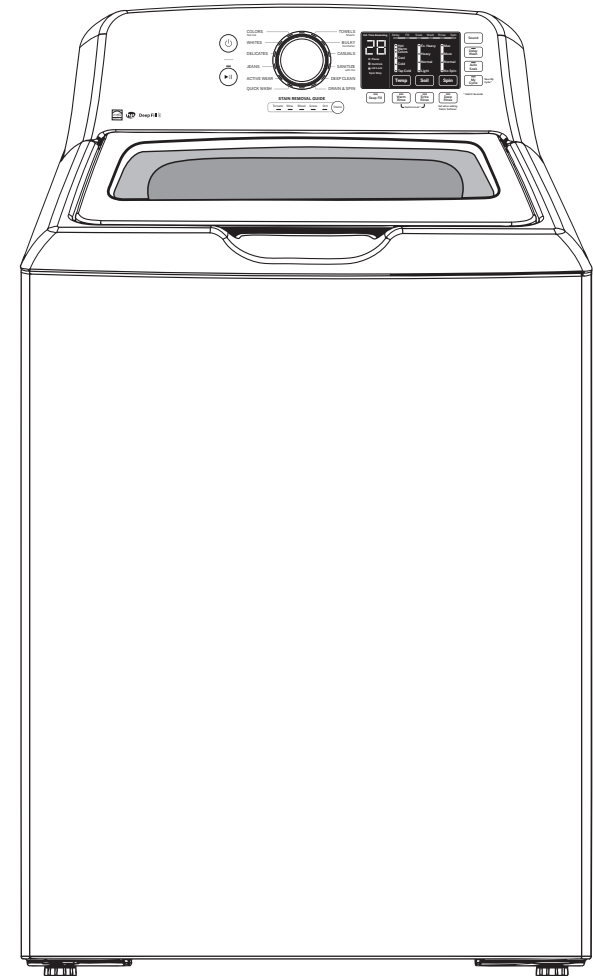
Automatic Dispensing – Provides total dosing flexibility for liquid detergent, powder detergent, detergent packs, softener, and bleach by dispensing at the right time for the best results.

Wash Cycles – Offers 12 unique wash cycles to provide an ultimate clean for any load.

800-RPM spin speed – Fast speeds remove more water during the spin cycle to minimize drying time.

Model GTW720BSNWS – White with silver backsplash

Model GTW720BPNDG – Diamond Gray



For answers to your Monogram, GE Café™ Series, GE Profile™ Series or GE Appliances product questions, visit our website at geappliances.com or call GE Answer Center® Service, 800.626.2000.