



# MICROWAVE OVEN

## OWNER'S MANUAL

PEB7227  
PES7227

**SAFETY INFORMATION** .....3-6

**USING YOUR OVEN**

Features.....7

Controls.....8

Power Levels.....9

Time and Auto Features ..... 10-13

Sensor Features ..... 14-16

Other Features ..... 17

Microwave Terms.....18

**CARE AND CLEANING**

Care and Cleaning .....18

**TROUBLESHOOTING**

Things that are Normal ..... 20

**CONSUMER SUPPORT**

Warranty .....21

Consumer Support.....22

Write the model and serial numbers here:

Model # \_\_\_\_\_

Serial # \_\_\_\_\_

You can find them on a label inside the oven.

## **THANK YOU FOR MAKING GE APPLIANCES A PART OF YOUR HOME.**

---

Whether you grew up with GE Appliances, or this is your first, we're happy to have you in the family.

We take pride in the craftsmanship, innovation and design that goes into every GE Appliances product, and we think you will too. Among other things, registration of your appliance ensures that we can deliver important product information and warranty details when you need them.

Register your GE appliance now online. Helpful websites and phone numbers are available in the Consumer Support section of this Owner's Manual. You may also mail in the pre-printed registration card included in the packing material.



# IMPORTANT SAFETY INSTRUCTIONS

## READ ALL INSTRUCTIONS BEFORE USING THE APPLIANCE

### **⚠ WARNING**

To reduce the risk of burns, electric shock, fire, injury to persons, or exposure to excessive microwave energy:

When using electrical appliances, basic safety precautions should be followed, including the following:

- Read all instructions before using this appliance.
- Read and follow the specific precautions in the PRECAUTIONS TO AVOID POSSIBLE EXPOSURE TO EXCESSIVE MICROWAVE ENERGY section on page 5.
- Use this appliance only for its intended use as described in this manual. Do not use corrosive chemicals or vapors in this appliance. This microwave oven is specifically designed to heat, dry or cook food, and is not intended for laboratory or industrial use.
- This appliance should be serviced only by qualified service personnel. Contact nearest authorized service facility for examination, repair, or adjustment.

#### **INSTALLATION**

- Install or locate this appliance only in accordance with the provided installation instructions.
- This appliance must be grounded. Connect only to a properly grounded outlet. See the GROUNDING INSTRUCTIONS section on page 5.
- Be certain to place the front surface of the door 3 inches or more back from the counter top edge to avoid accidental tipping of the appliance in normal usage.
- Recommended clearances: 3 inches on each side, 3 inches on the top, and 1 inch in the rear.
- Do not operate this appliance if it has a damaged power cord or plug, if it is not working properly, or if it has been damaged or dropped.
- Keep power cord away from heated surfaces.
- Do not let cord hang over edge of table or counter.
- Do not immerse power cord or plug in water.
- Do not cover or block any opening on the appliance.
- Do not store this appliance outdoors. Do not use this product near water - for example, in a wet basement, near a swimming pool, or in a similar location.
- Do not mount over a sink.

#### **TO REDUCE THE RISK OF FIRE IN THE CAVITY:**

- Do not overcook food. Carefully attend appliance when paper, plastic or other combustible materials are placed inside the oven while cooking.
- Remove wire twist-ties and metal handles from paper or plastic containers before placing them in the oven.
- If materials inside the oven ignite, keep the oven door closed, turn the oven off and disconnect the power cord, or shut off power at the fuse or circuit breaker panel.
- Do not store any materials in the oven when not in use. Do not leave paper products, cooking utensils, or food in the cavity when not in use. All racks should be removed from oven when not in use.
- Do not operate the microwave feature without food in the oven.

#### **TO REDUCE THE RISK OF BURNS**

- Be careful when opening containers of hot food. Use pot holders and direct steam away from face and hands.
- Vent, pierce, or slit containers, pouches or plastic bags to prevent build-up of pressure.
- Be careful when touching the turntable, door, rack or walls of the oven which may become hot during use.
- Liquids and certain foods heated in the microwave oven can present a risk of burn when removing them from the microwave. The potential for a burn is greater in young children, who should not be allowed to remove hot items from the microwave.

## READ AND SAVE THESE INSTRUCTIONS

# IMPORTANT SAFETY INSTRUCTIONS

## READ ALL INSTRUCTIONS BEFORE USING THE APPLIANCE

### **⚠ WARNING**

#### **OPERATING**

- As with any appliance, close supervision is necessary when used by children.
- Do not operate the oven without the turntable in place. The turntable must be unrestricted so it can turn.
- Make sure all cookware used in your microwave oven is suitable for microwaving. Most glass casseroles, cooking dishes, measuring cups, custard cups, pottery or china dinnerware which does not have metallic trim or glaze with a metallic sheen can be used in compliance with cookware manufacturers' recommendations.
- Do not store anything directly on top of the microwave surface when the microwave is in operation.
- Some products such as whole eggs and sealed containers - for example, closed jars - are able to explode and should not be heated in the microwave oven.
- Do not overcook potatoes. They could dehydrate and catch fire.
- Do not cover any other part of the oven with metal foil. This will cause overheating of the oven.
- Cook meat and poultry thoroughly—meat to at least an INTERNAL temperature of 160°F and poultry to at least an INTERNAL temperature of 180°F. Cooking to these temperatures usually protects against foodborne illness.
- This oven is not approved or tested for marine use.

#### **CLEANING**

- Keep the oven free from grease buildup.
- Do not clean with metal scouring pads. Pieces can burn off the pad and touch electrical parts involving risk of electric shock.
- When cleaning surfaces of door and oven that comes together on closing the door, use only mild, nonabrasive soaps, or detergents applied with a clean sponge or soft cloth. Rinse well.

#### **SUPER HEATED WATER**

- Liquids, such as water, coffee, or tea, are able to be overheated beyond the boiling point without appearing to be boiling. Visible bubbling or boiling when the container is removed from the microwave oven is not always present. **THIS COULD RESULT IN VERY HOT LIQUIDS SUDDENLY BOILING OVER WHEN THE CONTAINER IS DISTURBED OR A SPOON OR OTHER UTENSIL IS INSERTED INTO THE LIQUID.**
- To reduce the risk of injury to persons:
  - Do not overheat the liquid.
  - Stir the liquid both before and halfway through heating it.
  - Do not use straight-sided containers with narrow necks.
  - After heating, allow the container to stand in the microwave oven for a short time before removing the container.
  - Use extreme care when inserting a spoon or other utensil into the container.

## READ AND SAVE THESE INSTRUCTIONS

# IMPORTANT SAFETY INSTRUCTIONS

## READ ALL INSTRUCTIONS BEFORE USING THE APPLIANCE

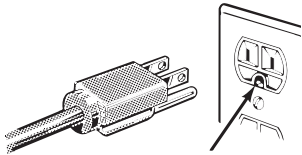
### PRECAUTIONS TO AVOID POSSIBLE EXPOSURE TO EXCESSIVE MICROWAVE ENERGY

- (a) **Do Not Attempt** to operate this oven with the door open since open-door operation can result in harmful exposure to microwave energy. It is important not to defeat or tamper with the safety interlocks.
- (b) **Do Not Place** any object between the oven front face and the door or allow soil or cleaner residue to accumulate on sealing surfaces.
- (c) **Do Not Operate** the oven if it is damaged. It is particularly important that the oven door close properly and that there is no damage to the:
- (1) door (bent),
  - (2) hinges and latches (broken or loosened),
  - (3) door seals and sealing surfaces.
- (d) **The Oven Should Not** be adjusted or repaired by anyone except properly qualified service personnel.

### GROUNDING INSTRUCTIONS

#### ⚠ WARNING

Improper use of the grounding plug can result in a risk of electric shock.



Ensure proper ground exists before use.

This appliance must be grounded. In the event of an electrical short circuit, grounding reduces the risk of electric shock by providing an escape wire for the electric current.

This appliance is equipped with a power cord having a grounding wire with a grounding plug. The plug must be plugged into an outlet that is properly installed and grounded.

Consult a qualified electrician or service technician if the **GROUNDING INSTRUCTIONS** are not completely understood, or if doubt exists as to whether the appliance is properly grounded.

If the outlet is a standard 2-prong wall outlet, it is your personal responsibility and obligation to have it replaced with a properly grounded 3-prong wall outlet. Do not under any circumstances cut or remove the third (ground) prong from the power cord.

Do not use an extension cord. If the power cord is too short, have a qualified electrician or service technician install an outlet near the appliance.

For best operation, plug this appliance into its own electrical outlet to prevent flickering of lights, blowing of fuse or tripping of circuit breaker.

#### NOTICE: PACEMAKERS

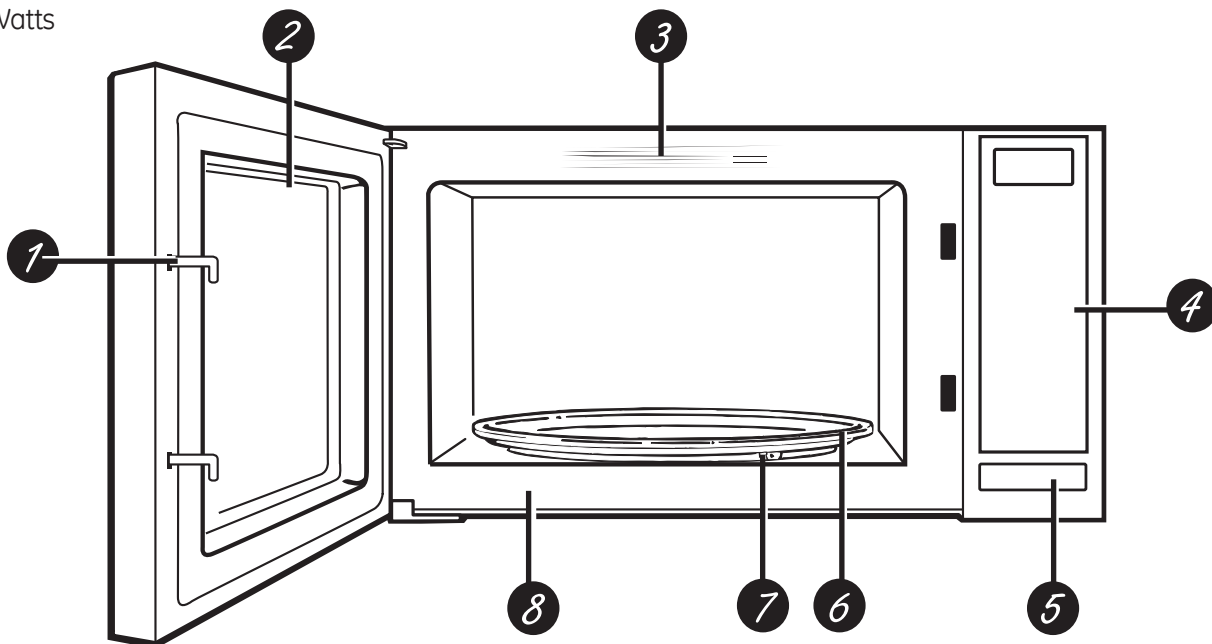
Most pacemakers are shielded from interference from electronic products, including microwaves. However, patients with pacemakers may wish to consult their physicians if they have concerns.

## READ AND SAVE THESE INSTRUCTIONS

# Features

Throughout this manual, features and appearance may vary from your model.

1100 Watts



- 1 Door Latches**
- 2 Window with Metal Shield.** Screen allows cooking to be viewed while keeping microwaves confined in the oven.
- 3 Convenience Guide**
- 4 Touch Control Panel Display**
- 5 Door Latch Release.** Press latch release to open door.
- 6 Removable Turntable.** Turntable and support must be in place when using the oven. The turntable may be removed for cleaning.
- 7 Removable Turntable Support.** The turntable support must be in place when using the oven. The turntable support may be removed for cleaning.
- 8 Rating Label.** Rating plate is located on the front of the microwave oven.

## Optional Accessories

Installation Kit (to convert your unit to a built-in wall oven): you must purchase separately. Available only for PEB7227 models, and not available for PES7227 models.

Model	Kit
PES7227SDLWW	not available
PES7227SDLBB	not available
PES7227SDLES	not available
PES7227SDLSS	not available
PES7227SDLTS	not available

For 27" installations:

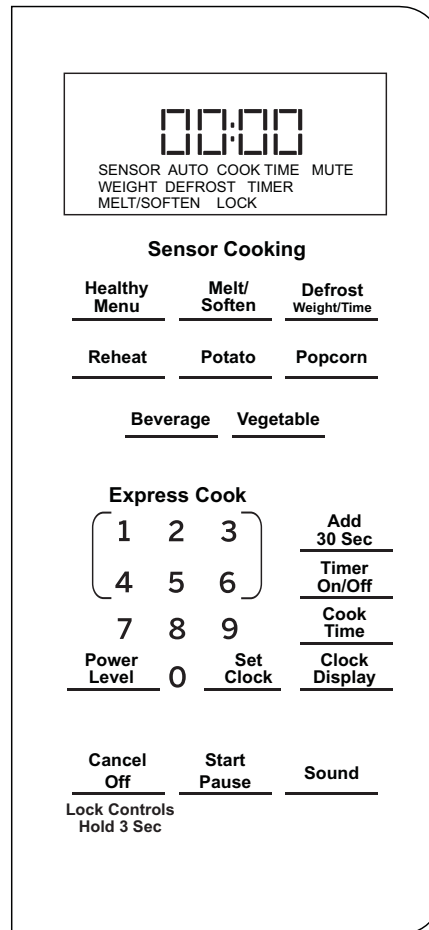
Model	Kit	Color
PEB7227DLWW	JX7227DLWW	White
PEB7227DLBB	JX7227DLBB	Black
PEB7227BLTS	JX7227BLTS	Black Stainless Steel
PEB7227SLSS	JX7227SLSS JX7227ELES	Stainless Steel Slate

For 30" installations:

Model	Kit	Color
PEB7227DLWW	JX7230DLWW	White
PEB7227DLBB	JX7230DLBB	Black
PEB7227BLTS	JX7230BLTS	Black Stainless Steel
PEB7227SLSS	JX7230SLSS JX7230ELES	Stainless Steel Slate

# Controls

You can microwave by time or with the convenience features.



Control buttons' functions are explained on the following pages.

# About the features

---

## Power Level

The power level may be entered or changed immediately after entering the feature time for **Cook Time** or **Express Cook** the power level may also be changed during the cooking.

1. Press **Cook Time** and enter cooking time.
2. Press the **Power Level** button and select power level 1-10.
3. Press the **Start/Pause** button to start cooking.

Variable power levels add flexibility to microwave cooking. The power levels on the microwave oven can be compared to the surface units on a range. Each power level gives you microwave energy a certain percent of the time. Power level 7 is microwave energy 70% of the time. Power level 3 is energy 30% of the time. Most cooking will be done on **Power Level 10** which gives you 100% power.

Power Level 10 will cook faster but food may need more frequent stirring, rotating or turning over. A lower setting will cook more evenly and need less stirring or rotating of the food.

Some foods may have better flavor, texture or appearance if one of the lower settings is used. Use a lower power level when cooking foods that have a tendency to boil over, such as scalloped potatoes.

Rest periods (when the microwave energy cycles off) give time for the food to “equalize” or transfer heat to the inside of the food. An example of this is shown with power level 3—the defrost cycle. If microwave energy did not cycle off, the outside of the food would cook before the inside was defrosted.

Here are some examples of uses for various power levels::

**Power Level 10:** Fish, bacon, vegetables, heating liquids.

**Med-High 7:** Gentle cooking of meat and poultry; baking casseroles and reheating.

**Medium 5:** Slow cooking and tenderizing for stews and less tender cuts of meat.

**Low 2 or 3:** Defrosting; simmering; delicate sauces.

**Warm 1:** Keeping food warm; softening butter.



# About the features

---

## Cook Time

Allows you to microwave for any time up to 99 minutes and 99 seconds.

1. Press **Cook Time**.
2. Enter cooking time.
3. The power level is automatically set to 10, but if you want to reduce it, press **Power Level**, then select a level from 1 to 9.
4. Press **Start/Pause**.

You may open the door during Cook Time to check the food. Close the door and press **Start/Pause** to resume cooking.

---

## Multi-Stage Cooking

At most 2 stages can be set for cooking. In multi-stage cooking, if one stage is defrosting, then defrosting shall be placed at the first stage automatically.

Note: Auto cooking cannot work in the multi-stage cooking.

Example: if you want to cook with 80% microwave power for 5 minutes + 60% microwave power for 10 minutes. The cooking steps are as following:

1. Press **Time Cook** once, then press "5", "0", "0" to set the cooking time;
2. Press **Power** once, then press "8" to select 80% microwave power.
3. Press **Time Cook** once, then press "1", "0", "0", "0" to set the cooking time;
4. Press **Power** once, then press "6" to select 60% microwave power.
5. Press **Start/Pause**.

# About the features

## Cooking Guide for Cook Time

**NOTE:** Use power level 10 (High) unless otherwise noted.

Vegetable	Amount	Time	Comments
<b>Asparagus</b> (fresh spears)	1 lb.	5 to 8 min., Med-High (7)	In 1¼-qt. oblong glass baking dish, place 1/4 cup water. Rotate dish after half of time.
(frozen spears)	10-oz. package	4 to 7 min.	In 1-qt. casserole.
<b>Beans</b> (fresh green)	1 lb. cut in half	10 to 14 min.	In 1¼-qt. casserole, place 1/2 cup water.
(frozen green)	10-oz. package	4 to 8 min.	In 1-qt. casserole, place 2 tablespoons water.
(frozen lima)	10-oz. package	4 to 8 min.	In 1-qt. casserole, place 1/4 cup water.
<b>Beets</b> (fresh, whole)	1 bunch	16 to 21 min.	In 2-qt. casserole, place 1/2 cup water.
<b>Broccoli</b> (fresh cut)	1 bunch (1¼ to 1½ lbs.)	5 to 9 min.	In 2-qt. casserole, place 1/2 cup water.
(fresh spears)	1 bunch (1¼ to 1½ lbs.)	7 to 10 min.	In 2-qt. oblong glass baking dish, place 1/4 cup water. Rotate dish after half of time.
(frozen, chopped)	10-oz. package	4 to 7 min.	In 1-qt. casserole.
(frozen spears)	10-oz. package	4 to 7 min.	In 1-qt. casserole, place 3 tablespoons water.
<b>Cabbage</b> (fresh)	1 medium head (about 2 lbs.)	6 to 9 min.	In 1¼- or 2-qt. casserole, place 1/4 cup water.
(wedges)		5 to 9 min.	In 2- or 3-qt. casserole, place 1/4 cup water.
<b>Carrots</b> (fresh, sliced)	1 lb.	4 to 8 min.	In 1¼-qt. casserole, place 1/4 cup water.
(frozen)	10-oz. package	3 to 7 min.	In 1-qt. casserole, place 2 tablespoons water.
<b>Cauliflower</b> (flowerets)	1 medium head	7 to 10 min.	In 2-qt. casserole, place 1/2 cup water.
(fresh, whole)	1 medium head	7 to 14 min.	In 2-qt. casserole, place 1/2 cup water.
(frozen)	10-oz. package	3 to 7 min.	In 1-qt. casserole, place 2 tablespoons water.
<b>Corn</b> (frozen kernel)	10-oz. package	2 to 6 min.	In 1-qt. casserole, place 2 tablespoons water.
<b>Corn on the cob</b> (fresh)	1 to 5 ears	2-1/4 to 4 min. per ear	In 2-qt. oblong glass baking dish, place corn. If corn is in husk, use no water; if corn has been husked, add 1/4 cup water. Rearrange after half of time. Place in 2-qt. oblong glass baking dish.
(frozen)	1 ear	3 to 6 min.	Cover with vented plastic wrap. Rearrange after half of time.
	2 to 6 ears	2 to 3 min. per ear	
<b>Mixed vegetables</b> (frozen)	10-oz. package	2 to 6 min.	In 1-qt. casserole, place 3 tablespoons water.
<b>Peas</b> (fresh, shelled)	2 lbs. unshelled	7 to 9 min.	In 1-qt. casserole, place 1/4 cup water.
(frozen)	10-oz. package	2 to 6 min.	In 1-qt. casserole, place 2 tablespoons water.
<b>Potatoes</b> (fresh, cubed, white)	4 potatoes (8 oz. each)	9 to 11 min.	Peel and cut into 1 inch cubes. Place in 2-qt. casserole with 1/2 cup water. Stir after half of time.
(fresh, whole, sweet or white)	1 (8 oz.)	2 to 4 min.	Pierce with cooking fork. Place in the oven, 1 inch apart, in circular arrangement. Let stand 5 minutes.
	2 (8 oz. each)	6 to 7 min.	
	3	8 to 9 min.	
	4	11 to 12 min.	
<b>Spinach</b> (fresh)	10 to 16 oz.	3 to 6 min.	In 2-qt. casserole, place washed spinach.
(frozen, chopped and leaf)	10-oz. package	3 to 6 min.	In 1-qt. casserole, place 3 tablespoons water.
<b>Squash</b> (fresh, summer and yellow)	1 lb. sliced	3 to 5 min.	In 1¼-qt. casserole, place 1/4 cup water.
(winter, acorn or butternut)	1 to 2 squash (about 1 lb. each)	5 to 9 min.	Cut in half and remove fibrous membranes. In 2-qt. oblong glass baking dish, place squash cut-side-down. Turn cut-side-up after 4 minutes.

# About the features

## Time Defrost

Time Defrost allows you to defrost for a selected length of time. See the Defrosting Guide for suggested times.

1. Press **Defrost** twice (display must show Time Defrost).
2. Enter defrosting time.
3. Press **Start/Pause**.

When the oven signals, turn food over and break apart or rearrange pieces for more even defrosting. Shield any warm areas with small pieces of foil. The oven will continue to defrost if you don't open the door and turn the food.

Power level is automatically set at 3, but can be changed. You can defrost small items quickly by raising the power level after entering the time. Power level 7 cuts the total defrosting time in about half; power level 10 cuts the total time to approximately 1/3. However, food will need more frequent attention than usual.

A dull thumping noise may be heard during defrosting. This is normal when oven is not operating at High power.

## Defrosting Tips

- Foods frozen in paper or plastic can be defrosted in the package. Closed packages should be slit, pierced or vented **AFTER** food has partially defrosted. Plastic storage containers should be partially uncovered.
- Family-size, prepackaged frozen dinners can be defrosted and microwaved. If the food is in a foil container, transfer it to a microwave-safe dish.
- For more even defrosting of larger foods, such as roasts, use Defrost Weight. Be sure large meats are completely defrosted before cooking.
- Foods that spoil easily should not be allowed to sit out for more than one hour after defrosting. Room temperature promotes the growth of harmful bacteria.
- When defrosted, food should be cool but softened in all areas. If still slightly icy, return to the microwave very briefly, or let it stand for a few minutes.

## Weight Defrost

Weight defrost automatically sets the defrosting times and power levels to give even defrosting results for meats, poultry and fish weighing up to six pounds.

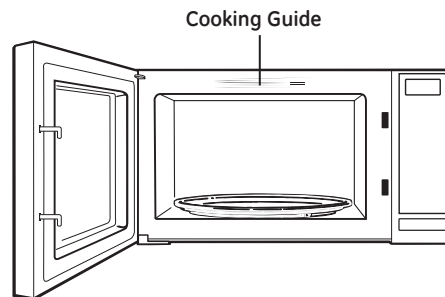
1. Press **Defrost** (display must show Weight Defrost).
2. Using the conversion guide, enter food weight. For example, press pads 1 and 2 for 1.2 pounds (1 pound, 3 ounces).
3. Press **Start/Pause**.

There is a cooking guide located on the inside front of the oven.

- Remove meat from package and place on microwave-safe dish.
- When the oven signals, turn the food over. Remove defrosted meat or shield warm areas with small pieces of foil.
- After defrosting, most meats need to stand 5 minutes to complete defrosting. Large roasts should stand for about 30 minutes.

## Conversion Guide

If the weight of food is stated in pounds and ounces, the ounces must be converted to tenths (.1) of a pound.	
Ounces	Pounds
1-2	.1
3	.2
4-5	.3
6-7	.4
8	.5
9-10	.6
11	.7
12-13	.8
14-15	.9



# About the features

## Defrosting Guide

Food	Time	Comments
<b>Breads, Cakes</b> Bread, buns or rolls (1 piece) Sweet rolls (approx. 12 oz.)	1/4 min. 2 to 4 min.	Rearrange after half of time.
<b>Fish and Seafood</b> Fillets, frozen (1 lb.) Shellfish, small pieces (1 lb.)	6 to 9 min. 3 to 7 min.	Place block in casserole. Turn over and break up after first half of time.
<b>Fruit</b> Plastic pouch—1 or 2 (10-oz. package)	1 to 5 min.	
<b>Meat</b> Bacon (1 lb.) Franks (1 lb.)  Ground meat (1 lb.) Roast: beef, lamb, veal, pork Steaks, chops and cutlets	2 to 5 min. 2 to 5 min.  4 to 6 min. 9 to 12 min. per lb. 4 to 8 min. per lb.	Place unopened package in oven. Let stand 5 minutes after defrosting. Place unopened package in oven. Microwave just until franks can be separated. Let stand 5 minutes, if necessary, to complete defrosting. Turn meat over after first half of time. Use power level Warm (1). Place unwrapped meat in cooking dish. Turn over after first half of time and shield warm areas with foil. After second half of time, separate pieces with table knife. Let stand to complete defrosting.
<b>Poultry</b> Chicken, broiler-fryer, cut up (2 <sup>1</sup> / <sub>2</sub> to 3 lbs.)  Chicken, whole (2 <sup>1</sup> / <sub>2</sub> to 3 lbs.)  Cornish hen  Turkey breast (4 to 6 lbs.)	14 to 19 min.  20 to 24 min.  7 to 12 min. per lb.  3 to 8 min. per lb.	Place wrapped chicken in dish. Unwrap and turn over after first half of time. After second half of time, separate pieces and place in cooking dish. Microwave 2 to 4 minutes more, if necessary. Let stand a few minutes to finish defrosting. Place wrapped chicken in dish. After first half of time, unwrap and turn chicken over. Shield warm areas with foil. To complete defrosting, run cool water in cavity until giblets can be removed. Place unwrapped hen in oven breast-side-up. Turn over after first half of time. Run cool water in cavity until giblets can be removed. Place unwrapped breast in microwave-safe dish breast-side-down. After first half of time, turn breast-side-up and shield warm areas with foil. Defrost for second half of time. Let stand 1 to 2 hours in refrigerator to complete defrosting.

# About the features

---

## Express Cook

This is a quick way to set cooking time from 1-6 minutes.

Press one of the **Express Cook** pads (from 1-6) for 1-6 minutes of cooking at **power level 10**. For example, press the **2** pad for 2 minutes of cooking time.

The power level can be changed as time is counting down. Press **Power Level** and enter 1-10.

**NOTE: Express Cook function pertains to pads 1-6 only.**

---

## Add 30 Sec

It will add 30 seconds to the time counting down each time the pad is pressed. Each touch will add 30 seconds, up to 99 minutes and 99 seconds.

The oven will start immediately when pressed.

# About the features

## Humidity Sensor

The Sensor Features detect the increasing humidity released during cooking. The oven automatically adjusts the cooking time to various types and amounts of food.

Do not use the Sensor Features twice in succession on the same food portion—it may result in severely overcooked or burnt food. Be sure to let the oven cool down for 5-10 minutes before starting the next sensor cook.

If food is undercooked after the countdown, use Cook Time for additional cooking time.

- The proper containers and covers are essential for best sensor cooking.



Covered

- Always use microwave-safe containers and cover them with lids or vented plastic wrap. Never use tight sealing plastic containers - they can prevent steam from escaping and cause food to overcook.



Vented

- Be sure the outside of the cooking containers and the inside of the microwave oven are dry before placing food in the oven. Beads of moisture turning into steam can mislead the sensor.



Dry off dishes so they don't mislead the sensor.

## Beverage (Sensor Feature)

Press Beverage to select 1 or 2 cups (8 to 10 oz each).

**Drinks heated with the Beverage feature may be very hot. Remove the container with care.**

If beverage is not hot enough for you, do not use the Beverage button again to continue heating it. Use the Cook Time button for further heating.

## Vegetable (Sensor Feature)

**Use the Vegetable feature to cook 4–16 ounces of fresh or frozen vegetables.**

1. For fresh vegetables, add 2 tablespoons of water per serving. For frozen vegetables, follow package instructions for adding water. Cover with lid or plastic wrap. Place vegetables in the oven.
2. Press **Vegetable** once for fresh vegetables or twice for frozen vegetables.

If you open the door, **ERR** will appear. It will scroll until **Cancel/Off** is pressed.

If the vegetables are not cooked to your satisfaction, do not use the Vegetable button again. Use Cook Time.

# About the features

---

## Reheat (Sensor Feature)

The Reheat feature reheats 8-24 ounces of previously cooked foods or a plate of leftovers.

1. Place covered food in the oven. Press **Reheat**. The display will show REH. Press **Start**.
2. When the Reheat cycle is almost complete, the control will beep and display the remaining seconds until the Reheat cycle is complete.

If you open the door during the Reheat cycle, the oven will turn off and the display will show ERR. You must press Cancel/Off to clear the display and then you can use the oven again.

After removing food from the oven, stir, if possible, to even out the temperature. If the food is not hot enough, don't use the Reheat button again. Use Cook Time to reheat. Reheated foods may have wide variations in temperature. Some areas may be extremely hot.

It is best to use Cook Time for these foods:

- Bread products.
- Foods that must be reheated uncovered.
- Foods that need to be stirred or rotated.
- Foods calling for a dry look or crisp surface after reheating.

---

## Potato (Sensor Feature)

The Potato feature cooks one or two 8 oz potatoes.

1. Pierce skin with fork and place potatoes on the turntable. If cooking three or more potatoes, arrange in a star pattern.
2. Press **Potato** button. The display will show POT. Press the **Potato** button to select 1 or 2 potatoes. Then press **Start**.

If you open the door during the Potato cycle, the oven will turn off and the display will show **ERR**. You must press Cancel/Off to clear the display and then you can use the oven again.

If the potatoes are not cooked to your satisfaction, do not use the Potato button again. Use Cook Time.

---

## Popcorn (Sensor Feature)

1. If you want to cook a package that is less than 1.75 oz, or more than 3.5 oz, then use Cook Time and follow the instructions on the package.
2. Press **Popcorn** to select ounces and then press **Start/Pause**.

If the popcorn is not to your satisfaction. Use the Cook Time button for further cooking.

# About the features

## Healthy Menu

Use Healthy Menu feature to cook healthy food choices by servings or with sensor.

1. Place food in the oven and press **Healthy Menu** pad.
2. Enter the food code. See *Cooking Guide for Healthy Menu* for codes.
3. Enter the number of servings (1-4) for codes 1-3.  
For Code 4-10, the oven can start with no serving selection needed.
4. Press **Start/Pause** pad.

If you open the door while the food code of Healthy Menu feature is displayed, "ERR" will appear. It will scroll until **Cancel/Off** is pressed.

### Cooking Guide for Healthy Menu Feature

Note: Use power level 10 unless otherwise noted.

Enter Code	Food Choice	Weight Setting
1	Rice	1-4 Servings (Power Level 7 for 1 Serving)
2	Oatmeal	1-4 Servings
3	Pasta	1-4 Servings
4	Asparagus	Sensor Menu
5	Broccoli	Sensor Menu
6	Green Beans	Sensor Menu
7	Carrots	Sensor Menu
8	Green Peas	Sensor Menu
9	Spinach	Sensor Menu
10	Potato	Sensor Menu

## Melt/Soften

Use Melt/Soften feature to melt/soften food choices by serving.

1. Place food in the oven and press **Melt/Soften** pad.
2. Enter the food code. See *Cooking Guide for Melt/Soften* for codes.
3. Enter the number of servings.
4. Press **Start/Pause** pad.

### Cooking Guide for Melt/Soften Feature

Note: Use power level 10 unless otherwise noted.

Enter Code	Melt or Soften	Food Choice	Weight Setting
1	Melt	Butter Margarine	1-3 Sticks
2	Melt	Chocolate	4-8 Oz
3	Melt	Cheese	8-16 Oz
4	Melt	Marshmallows	5-10 Oz
5	Soften	Butter	1-3 Sticks
6	Soften	Ice Cream Frozen Juice	1-3 Oz
7	Soften	Cream Cheese	1-2 Oz



## Other Features

---

### Cooking Complete Reminder

To remind you that you have food in the oven, the oven will display “END” and beep once a minute until you either open the oven door or press the **Cancel/Off** button.

---

### Lock Controls

You may lock the control panel to prevent the microwave from being accidentally started or used by children.

To lock or unlock the controls, press and hold **Cancel/Off** for about three seconds. When the control panel is locked, “LOC” will appear in the display.

---

### Clock Display

To turn the clock display on or off, press **Clock Display**. The Display On/Off feature cannot be used while a cooking feature is in use.

---

### Set Clock

Press to enter the time of day or to check the time of day while microwaving.

1. Press **Set Clock**.
  2. Enter time of day.
  3. Press **Start** or **Set Clock**.
- 

### Start/Pause

In addition to starting many functions, **Start/Pause** allows you to stop cooking without opening the door or clearing the display. Press **Start/Pause** again to restart the oven.

---

### Timer On/Off

Timer On/Off operates as a minute timer and can be used at any time, even when the oven is operating.

1. Press **Timer On/Off**.
  2. Enter the amount of time you want to count down.
  3. Press **Timer On/Off** to start.
- 

When the time is up, the oven will signal. To turn off the timer signal, press **Timer On/Off**.

The display shows the Timer countdown time even when the oven is operating.

---

### Sound

You can turn off all beeping sounds by pressing the **Sound** button so that MUTE shows on the display. Pressing the **Sound** button again will remove MUTE from the display and turns all beeping sounds back on.

---

## Microwave Terms

---

Term	Definition
Arcing	<p>Arcing is the microwave term for sparks in the oven. Arcing is caused by:</p> <ul style="list-style-type: none"> <li>■ metal or foil touching the side of the oven.</li> <li>■ foil that is not molded to food (upturned edges act like antennas).</li> <li>■ metal such as twist-ties, poultry pins, gold-rimmed dishes.</li> <li>■ recycled paper towels containing small metal pieces.</li> <li>■ plates or dishes with a metallic trim or glaze with a metallic sheen.</li> </ul>
Covering	<p>Covers hold in moisture, allow for more even heating and reduce cooking time. Venting plastic wrap or covering with wax paper allows excess steam to escape.</p>
Shielding	<p>In a regular oven, you shield chicken breasts or baked foods to prevent over-browning. When microwaving, you use small strips of foil to shield thin parts, such as the tips of wings and legs on poultry, which would cook before larger parts.</p>
Standing Time	<p>When you cook with regular ovens, foods such as roasts or cakes are allowed to stand to finish cooking or to set. Standing time is especially important in microwave cooking. Note that a microwaved cake is not placed on a cooling rack.</p>
Venting	<p>After covering a dish with plastic wrap, you vent the plastic wrap by turning back one corner so excess steam can escape.</p>

# Care and Cleaning

## Helpful Hints

An occasional thorough wiping with a solution of baking soda and water keeps the inside fresh.

Be certain the oven control is turned off before cleaning any part of this oven.



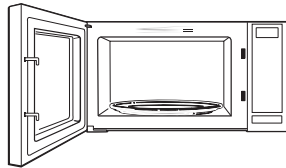
## How to Clean the Inside

### Walls, Floor, Inside Window, Metal and Plastic Parts on the Door

Some spatters can be removed with a paper towel; others may require a damp cloth. Remove greasy spatters with a sudsy cloth, then rinse with a damp cloth. Do not use abrasive cleaners or sharp utensils on oven walls.

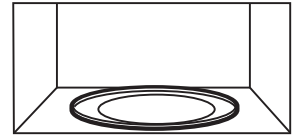
To clean the surface of the door and the surface of the oven that come together upon closing, use only mild, nonabrasive soaps or detergents using a sponge or soft cloth. Rinse with a damp cloth and dry.

Never use a commercial oven cleaner on any part of your microwave.



### Removable Turntable and Turntable Support

To prevent breakage, do not place the turntable into water just after cooking. Wash it carefully in warm, sudsy water or in the dishwasher. The turntable and support can be broken if dropped. Remember, do not operate the oven in the microwave mode without the turntable and support seated and in place.



## How to Clean the Outside

Do not use cleaners containing ammonia or alcohol on the microwave oven. Ammonia or alcohol can damage the appearance of the microwave.

### Case

Clean the outside of the microwave with a sudsy cloth. Rinse with a damp cloth and then dry. Wipe the window clean with a damp cloth.

### Control Panel and Door

Wipe with a damp cloth. Dry thoroughly. Do not use cleaning sprays, large amounts of soap and water, abrasives or sharp objects on the panel—they can damage it. Some paper towels can also scratch the control panel.

### Door Surface

It is important to keep the area clean where the door seals against the microwave. Use only mild, non-abrasive detergents applied with a clean sponge or soft cloth. Rinse well.

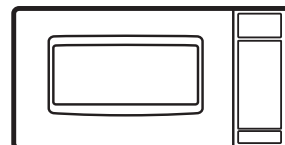
### Power Cord

If the cord becomes soiled, unplug and wash with a damp cloth. For stubborn spots, sudsy water may be used, but be certain to rinse with a damp cloth and dry thoroughly before plugging cord into outlet.

### Stainless Steel (on some models)

Do not use a steel-wood pad; it will scratch the surface.

To clean the stainless steel surface, use a hot, damp cloth with a mild detergent suitable for stainless steel surfaces. Use a clean, hot, damp cloth to remove soap. Dry with a dry, clean cloth. Always scrub lightly in the direction of the grain.



## Troubleshooting Tips

PROBLEM	POSSIBLE CAUSE
OVEN WILL NOT COME ON	A fuse in your home may be blown or the circuit breaker tripped. Replace fuse or reset circuit breaker.
	Unplug your microwave oven, then plug it back in.
	Make sure 3-prong plug on oven is fully inserted into wall receptacle.
CONTROL PANEL LIGHTED, YET OVEN WILL NOT START	Door not securely closed.
	<b>Start/Pause</b> must be pressed after entering cooking selection.
	Another selection entered already in oven and <b>Cancel/Off</b> not pressed to cancel it.
	Make sure you have entered cooking time after pressing <b>Cook Time</b> .
	<b>Cancel/Off</b> was pressed accidentally. Reset cooking program and press <b>Start/Pause</b> .
	Make sure you entered food weight after pressing <b>Defrost Weight</b> .
"ERR" APPEARS ON DISPLAY	During a Sensor Cooking program, the door was opened before steam could be detected. "ERR" will display until <b>Cancel/Off</b> is pressed.
	Steam was not detected in maximum time. Use <b>Cook Time</b> to heat for more time.
"LOC" APPEARS ON DISPLAY	The control panel has been locked. (When the control panel is locked, "LOC" will be displayed.) Press and hold <b>Cancel/Off</b> for about 3 seconds to unlock the control panel.
FOOD AMOUNT TOO LARGE FOR SENSOR REHEAT	Sensor Reheat is for single servings of recommended foods. Use <b>Cook Time</b> for large amounts of food.
"FOOD" APPEARS ON DISPLAY	The control detected that the door has not been opened (food/beverage has not been placed inside).
"PF" APPEARS ON DISPLAY	A Power Failure has occurred. Press <b>Cancel/Off</b> to clear the display.
"F3" APPEARS ON DISPLAY	A key has been activated for more than 60 seconds. Press <b>Cancel/Off</b> to clear the display. This can happen if liquid is on the control panel. Dry the control panel thoroughly after cleaning.

### Things That Are Normal With Your Microwave Oven

- Steam or vapor escaping from around the door.
- Light reflection around door or outer case.
- Dimming oven light and change in the blower sound at power levels other than high.
- Dull thumping sound while oven is operating.
- TV/radio interference might be noticed while using the microwave. Similar to the interference caused by other small appliances, it does not indicate a problem with the microwave. Plug the microwave into a different electrical circuit, move the radio or TV as far away from the microwave as possible, or check the position and signal of the TV/radio antenna.

# GE Appliances Microwave Oven Warranty

**WARRANTY**

Staple your receipt here. Proof of the original purchase date is needed to make a warranty claim.

<b>For the period of</b>	<b>GE Appliances Will Choose to Repair or Replace:</b>
<b>One year</b> From the date of the original purchase	Any product which fails due to a defect in materials or workmanship. The exchange unit is warranted for the remainder of your product's original one-year warranty period.

**In Order to Make a Warranty Claim:**

Call GE Appliances at 800 GE CARES (800 432-2737). Have the model number and serial number available.

**What GE Appliances Will Not Cover:**

- **Customer instructions.** This owner's manual provides information regarding operating instructions and user controls. The Owner's Manual is available online at [GEAPPLIANCES.com](http://GEAPPLIANCES.com)
- **Improper installation, delivery or maintenance.**
- **Failure of the product or damage to the product if it is abused, misused (for example, cavity arcing from wire rack or metal/foil), or used for other than the intended purpose or used commercially.**
- **Replacement of house fuses or resetting of circuit breakers.**
- **Damage to the product caused by accident, fire, floods or acts of God.**
- **Incidental or consequential damage caused by possible defects with this appliance.**
- **Damage caused after delivery.**

**EXCLUSION OF IMPLIED WARRANTIES**

Your sole and exclusive remedy is product repair as provided in this Limited Warranty. Any implied warranties, including the implied warranties of merchantability or fitness for a particular purpose, are limited to one year or the shortest period allowed by law.

This limited warranty is extended to the original purchaser and any succeeding owner for products purchased for home use within the USA.

Some states do not allow the exclusion or limitation of incidental or consequential damages. This limited warranty gives you specific legal rights, and you may also have other rights which vary from state to state. To know what your legal rights are, consult your local or state consumer affairs office or your state's Attorney General.

Exclusion of implied warranties: Except where prohibited or restricted by law, there are no warranties, whether express, oral or statutory which extend beyond the description on the face hereof, including specifically the implied warranties of merchantability or fitness for a particular purpose.

**Warrantor: GE Appliances, a Haier company**

Staple your receipt here. Proof of the original purchase date is needed to obtain service under the warranty.

# Consumer Support

---

## GE Appliances Website

Have a question or need assistance with your appliance? Try the GE Appliances Website 24 hours a day, any day of the year! You can also shop for more great GE Appliances products and take advantage of all our on-line support services designed for your convenience. In the US: [GEAppliances.com](http://GEAppliances.com)

---

## Register Your Appliance

Register your new appliance on-line at your convenience! Timely product registration will allow for enhanced communication and prompt service under the terms of your warranty, should the need arise. You may also mail in the pre-printed registration card included in the packing material. In the US: [GEAppliances.com/register](http://GEAppliances.com/register)

---

## Schedule Service

Expert GE Appliances repair service is only one step away from your door. Get on-line and schedule your service at your convenience any day of the year. In the US: [GEAppliances.com/ge/service-and-support/service.htm](http://GEAppliances.com/ge/service-and-support/service.htm) or call 800.432.2737 during normal business hours.

---

## Parts and Accessories

Individuals qualified to service their own appliances can have parts or accessories sent directly to their homes (VISA, MasterCard and Discover cards are accepted). Order on-line today 24 hours every day. In the US: [GEApplianceparts.com](http://GEApplianceparts.com) or by phone at 877.959.8688 during normal business hours.

**Instructions contained in this manual cover procedures to be performed by any user. Other servicing generally should be referred to qualified service personnel. Caution must be exercised, since improper servicing may cause unsafe operation.**

---

## Contact Us

If you are not satisfied with the service you receive from GE Appliances, contact us on our Website with all the details including your phone number, or write to:

In the US: General Manager, Customer Relations | GE Appliances, Appliance Park | Louisville, KY 40225  
[GEAppliances.com/ge/service-and-support/contact.htm](http://GEAppliances.com/ge/service-and-support/contact.htm)



# HORNO MICROONDAS

**INFORMACIÓN DE SEGURIDAD** ....3-6

**USO DE LA HORNO**

Funciones .....7

Controles..... 8

Nivel de potencia..... 9

Funciones de  
tiempo y automático ..... 10-13

Características de microondas  
por sensor ..... 14-16

Otras funciones.....17

Términos del Microondas .....18

**CUIDADO Y LIMPIEZA** .....19

**CONSEJOS PARA LA SOLUCIÓN** .. 20

Cosas que son Normales..... 20

**GARANTÍA** .....21

**SOPORTE PARA EL CONSUMIDOR**... 22

## MANUAL DEL PROPIETARIO

PEB7227  
PES7227

Anote aquí los números de modelo y de serie:

Modelo número\_\_\_\_\_

Número de serie\_\_\_\_\_

Los encontrará en una etiqueta dentro del horno.

## **GRACIAS POR HACER QUE GE APPLIANCES SEA PARTE DE SU HOGAR.**

---

Ya sea que haya crecido usando GE Appliances, o que ésta es su primera vez, nos complace tenerlo en la familia.

Sentimos orgullo por el nivel de arte, innovación y diseño de cada uno de los electrodomésticos de GE Appliances, y creemos que usted también. Entre otras cosas, el registro de su electrodoméstico asegura que podamos entregarle información importante del producto y detalles de la garantía cuando los necesite.

Registre su electrodoméstico GE ahora a través de Internet. Sitios Web y números telefónicos útiles están disponibles en la sección de Soporte para el Consumidor de este Manual del Propietario.

También puede enviar una carta en la tarjeta de inscripción preimpresa que se incluye con el material embalado.



**GE APPLIANCES**



# INFORMACIÓN IMPORTANTE DE SEGURIDAD

## LEA TODAS LAS INSTRUCCIONES ANTES DE USAR

### ⚠️ ADVERTENCIA

Para reducir el riesgo de quemaduras, descargas eléctricas, incendio, lesiones o exposición a energía de microondas excesiva:

Cuando utilice aparatos eléctricos, se deben seguir las precauciones de seguridad básicas, entre las que se incluyen las siguientes:

- Lea todas las instrucciones antes de utilizar este aparato.
- Lea y siga las precauciones específicas descritas en la sección PRECAUCIONES PARA EVITAR LA POSIBLE EXPOSICIÓN A ENERGÍA DE MICROONDAS EXCESIVA de la página 7.
- Utilice este aparato solamente para el fin previsto, como se describe en este manual. No utilice químicos ni vapores corrosivos en este aparato. Este horno está específicamente diseñado para calentar, secar o cocinar alimentos y bebidas y no está diseñado para usarse en un laboratorio ni para uso industrial.
- Este electrodoméstico sólo debería ser reparado por personal técnico con calificación. En caso de necesitar una evaluación, reparación o ajuste, comuníquese con el servicio autorizado más cercano.

### INSTALACIÓN

- Instale o ubique este aparato únicamente de acuerdo a las instrucciones de instalación suministradas.
- Este aparato debe contar con una conexión a tierra. Conecte sólo a un tomacorriente con adecuada conexión a tierra. Ver la sección Instrucciones de conexión a tierra de la página 7.
- Asegúrese de colocar la superficie frontal de la puerta a 3 pulgadas o más atrás del extremo superior de la mesada, a fin de evitar caídas accidentales del electrodoméstico durante su uso normal.
- Espacios recomendados: 3 pulgadas a cada lado, 3 pulgadas sobre la parte superior y 1 pulgada en la parte trasera.
- No utilice este aparato si tiene el cable eléctrico o el enchufe dañados, si no funciona bien o si ha sufrido una avería o una caída.
- Mantenga el cable alejado de superficies calientes.
- No permita que el cable eléctrico cuelgue sobre el borde de la mesa o del mostrador de encimera.
- No sumerja el cable eléctrico o el enchufe en agua.
- No cubra ni bloquee ninguna apertura de este aparato.
- No almacene este aparato al aire libre. No utilice este producto cerca del agua; por ejemplo, en un sótano húmedo, cerca de una piscina, cerca de un lavabo o lugares similares.
- No monte este aparato sobre el fregadero.

### PARA REDUCIR EL RIESGO DE INCENDIO DENTRO DEL HORNO:

- No cocine excesivamente los alimentos. Vigile cuidadosamente el aparato cuando se coloque papel, plástico u otros materiales combustibles dentro del microondas para facilitar la cocción.
- Quite las tiritas de seguridad (twist-ties) y asas metálicas de los recipientes de papel o plástico antes de colocarlos dentro del microondas.
- No guarde ningún material, a excepción de nuestros accesorios recomendados, en este horno cuando no esté en uso. No deje productos de papel, utensilios de cocina ni comida en el horno cuando no esté en uso. El estante del microondas se deberá retirar del horno cuando no se encuentre en uso.
- Si los materiales que se encuentran dentro del horno prenden fuego, mantenga cerrada la puerta del horno, apáguelo y desconecte el cable eléctrico, o corte la energía desde el panel de fusibles o del interruptor de circuitos.
- No opere el horno sin alimentos adentro.

### A FIN DE REDUCIR RIESGOS DE QUEMADURAS:

- Tenga cuidado al abrir envases con comida caliente. Use manijas y aleje el vapor del rostro y las manos.
- Ventile, perforo, o corte envases, bolsas, o bolsas plásticas para evitar la acumulación de presión.
- Tenga cuidado al tocar el plato giratorio, la puerta, estantes o paredes del horno, los cuales se podrán calentar durante el uso.
- Los líquidos y ciertas comidas calentadas en el horno microondas pueden presentar riesgos de quemaduras, al ser retirados del horno microondas. La posibilidad de quemaduras es mayor en niños pequeños, a los cuales no se les deberá permitir retirar ítems calientes del horno microondas.

## LEA Y GUARDE ESTAS INSTRUCCIONES

# INFORMACIÓN IMPORTANTE DE SEGURIDAD LEA TODAS LAS INSTRUCCIONES ANTES DE USAR

## **▲ ADVERTENCIA** Continuo

### USO

- Como con cualquier aparato, cuando sea utilizado por niños es necesaria una estrecha vigilancia.
- No use el horno sin el plato giratorio en su posición. El plato giratorio no deberá tener restricciones, de modo que pueda girar.
- Asegúrese de que todos los utensilios usados en el horno microondas sean para uso en el mismo. Se pueden usar la mayoría de las cazuelas de vidrio, platos de cocción, tazas graduadas, tazas para postre, vajillas de cerámica o cubiertos de porcelana que no poseen bordes metálicos o vidriados con un brillo metálico, siguiendo las recomendaciones del fabricante.
- No almacene ningún elemento directamente sobre la superficie del horno de microondas cuando éste se encuentre en funcionamiento.
- Algunos productos tales como huevos enteros y contenedores sellados (por ejemplo, frascos sellados) son propensos a explotar y no deben calentarse en este horno. Tal uso del horno puede resultar en lesiones personales.
- No cocine demasiado las patatas. El deshidratado y incendiarse.
- No cubra las otra parte del horno con papel metálico. Esto ocasionará un sobrecalentamiento del horno microondas/ por convección.
- Cocine a fondo la carne de res o ave la carne de res a por los menos una temperatura INTERNA de 160° F y carne de ave a por lo menos una temperatura INTERNA de 180° F. Cocinar a estas temperaturas generalmente protege contra enfermedades causadas por los alimentos.
- Este horno no fue aprobado ni evaluado para uso en la marina.

### LIMPIEZA

- Mantenga el horno libre de acumulación de grasa.
- No limpie con almohadillas metálicas para fregar. Las piezas podrán quemar la almohadilla y tener contacto con partes eléctricas, involucrando riesgos de descargas eléctricas.
- Al limpiar superficies de puerta y horno que se unen al cerrar la puerta, use sólo jabones o detergentes suaves y no abrasivos, aplicando los mismos con una esponja limpia o tela suave. Enjuague bien.

### AGUA SOBRECALENTADA

- Líquidos, tales como agua, café o té, son capaces de sobrecalentarse más allá del punto de ebullición sin parecer que estén hirviendo. No siempre hay burbujeo o hervor visible cuando se saca el recipiente del horno microondas. **ESTO PUEDE RESULTAR EN LA EBULLICIÓN REPENTINA DE LÍQUIDOS MUY CALIENTES CUANDO SE MUEVE EL RECIPIENTE O SE INSERTA UNA CUCHARA U OTRO UTENSILIO DENTRO DEL LÍQUIDO.**
- Para reducir el riesgo de lesión física:
  - No sobrecaliente el líquido.
  - Revuelva el líquido antes y a la mitad del tiempo de calentamiento.
  - No utilice recipientes con costados rectos y cuellos angostos.
  - Después de calentar el recipiente, déjelo en el horno microondas por un período corto de tiempo antes de sacarlo.
  - Tenga extrema precaución cuando introduzca una cuchara u otro utensilio en el recipiente.

**LEA Y GUARDE ESTAS INSTRUCCIONES**

# INFORMACIÓN IMPORTANTE DE SEGURIDAD LEA TODAS LAS INSTRUCCIONES ANTES DE USAR

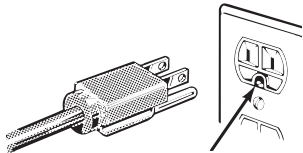
## PRECAUCIONES PARA EVITAR LA POSIBLE EXPOSICIÓN A ENERGÍA DE MICROONDAS EXCESIVA

- (a) **No intente hacer** funcionar el horno con la compuerta abierta ya que ésto puede provocar exposición peligrosa a la energía de microondas. Es importante no forzar ni dañar los seguros.
- (b) **No coloque** ningún objeto entre la parte frontal del horno y la compuerta, ni permita que se acumulen residuos de producto limpiador o detergente, suciedad o polvo en las superficies de sellado.
- (c) **No haga funcionar** el horno si se encuentra dañado. Es particularmente importante cerrar bien la compuerta
  - (1) la compuerta (doblada o curvada),
  - (2) las bisagras y pestillos (rotos o flojos),
  - (3) sellos de la compuerta y superficies de sellado.
- (d) **El horno no debe** ser ajustado o reparado por ninguna persona, excepto por personal de mantenimiento calificado.

## INSTRUCCIONES DE CONEXIÓN A TIERRA

### ⚠ ADVERTENCIA

El uso inadecuado del enchufe de conexión a tierra puede provocar riesgos de descargas eléctricas.



Asegúrese de contar con una conexión a tierra adecuada antes de usar.

Este electrodoméstico debe estar conectado a tierra. Si se produjera un cortocircuito, la toma de tierra reduce el riesgo de descarga eléctrica al proveer un cable de escape para la corriente eléctrica.

Este electrodoméstico está equipado con un cable de

corriente que dispone de un hilo para toma de tierra con un enchufe con toma de tierra. El enchufe debe estar conectado a una toma de corriente que esté debidamente instalada y con salida a tierra.

Consulte con un electricista calificado o un técnico de reparaciones si no entiende completamente las instrucciones sobre la toma de tierra, o si tuviese alguna duda sobre si su aparato está debidamente conectado a tierra.

Si la toma de corriente es un modelo estándar de dos clavijas, es su responsabilidad personal y su obligación el reemplazarla por una toma adecuada para tres clavijas con conexión a tierra.

Bajo ninguna circunstancia debe cortar o quitar la tercera clavija (tierra) del cable de corriente.

No recomendamos el uso de un cable de prolongación con este electrodoméstico. Si el cable de corriente es demasiado corto, haga que un electricista cualificado o un técnico de reparaciones instalen una toma de corriente cerca del electrodoméstico. (Consulte la sección ADVERTENCIA—CABLES DE PROLONGACIÓN.)

Para un mejor funcionamiento, enchufe este electrodoméstico en una toma de corriente exclusiva para evitar parpadeos de luz, fusibles quemados o que salte el diferencial.

## MARCAPASOS

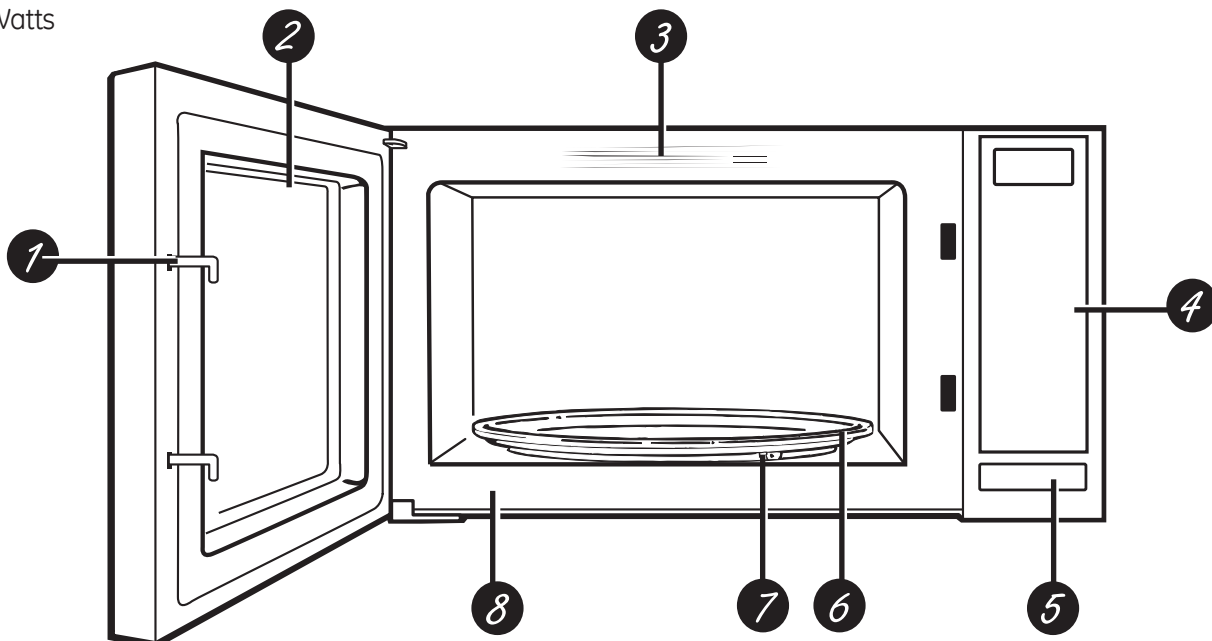
La mayoría de los marcapasos poseen protección contra interferencias de productos eléctricos, incluyendo microondas. Sin embargo, es aconsejable que los pacientes con marcapasos consulten a sus médicos ante cualquier duda.

# LEA Y GUARDE ESTAS INSTRUCCIONES

# Funciones

Es posible que las funciones y apariencias varíen con relación a su modelo a lo largo del manual.

1100 Watts



- 1 **Pestillos de la Puerta.**
- 2 **Ventana con Protector Metálico.** La pantalla permite que la cocción pueda ser observada mientras se mantienen las microondas dentro del horno.
- 3 **Guía de Acciones Convenientes.**
- 4 **Pantalla del Panel de Control Táctil.**
- 5 **Liberar Pestillos.** Presione liberar pestillos para abrir la puerta.
- 6 **Plato Giratorio Extraíble.** El plato giratorio y el soporte deben estar en la ubicación correcta al usar el horno. El plato giratorio se podrá retirar para la limpieza.
- 7 **Soporte Extraíble del Plato Giratorio.** El plato giratorio debe estar en la ubicación correcta al usar el horno. El soporte del plato giratorio podrá ser retirado para su limpieza.
- 8 **Etiqueta de Calificación.** La etiqueta de calificación está ubicada en el frente del horno microondas.

## Accesorios Opcionales

Kit de Instalación (para convertir su unidad en un horno empotrable en pared): deberá adquirirlo por separado. Disponible sólo para los modelos PEB7227, y no disponible para los modelos PES 7227.

Modelo	Kit
PES7227SDLWW	no disponible
PES7227DLBBS	no disponible
PES7227SDLES	no disponible
PES7227SDLSS	no disponible
PES7227SDLTS	no disponible

Para instalaciones de 27":

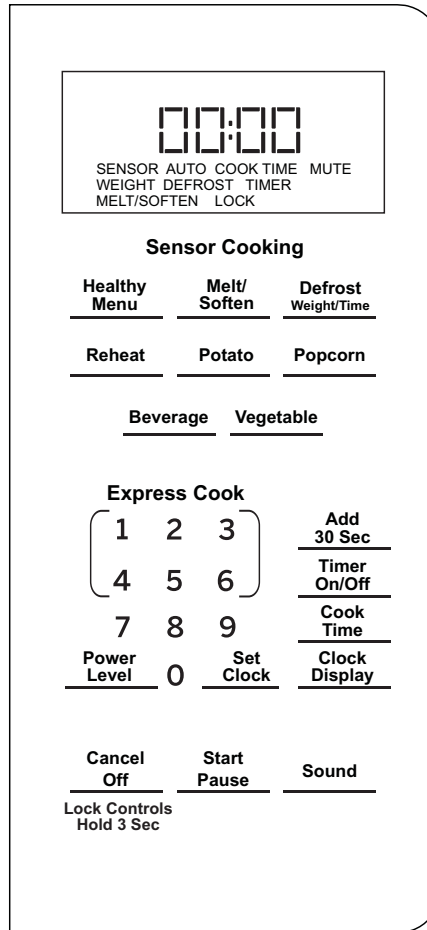
Modelo	Kit	Color
PEB7227DLWW	JX7227DLWW	Blanco
PEB7227DLBBS	JX7227DLBBS	Negro
PEB7227BLTS	JX7227BLTS	Acero Inoxidable Negro
PEB7227SLSS	JX7227SLSS JX7227ELES	Acero Inoxidable Loza

Para instalaciones de 30":

Modelo	Kit	Color
PEB7227DLWW	JX7230DLWW	Blanco
PEB7227DLBBS	JX7230DLBBS	Negro
PEB7227BLTS	JX7230BLTS	Acero Inoxidable Negro
PEB7227SLSS	JX7230SLSS JX7230ELES	Acero Inoxidable Loza

# Controles

Puede usar el horno microondas por tiempo o con funciones convenientes.



Las funciones de los botones de control son explicadas en las siguientes páginas.

## Acerca de las funciones

### Nivel de potencia

El nivel de potencia se podrá ingresar o modificar de forma inmediata luego de ingresar el tiempo para **Cook Time (Tiempo de Cocción)** o **Express Cook (Cocción Express)**. El nivel de potencia también se puede modificar durante la cocción.

1. Presione **Cook Time (Tiempo de Cocción)** e ingrese el tiempo de cocción.
2. Presione **Power Level (Nivel de Potencia)** y seleccione el nivel de potencia de 1 a 10.
3. Presione el botón **Start/Pause** para empezar a cocinar.

Los niveles de potencia variables suman flexibilidad a la cocción en el microondas. Los niveles de potencia del horno microondas se pueden comparar con las unidades de superficie de una cocina. Cada nivel de potencia le brinda energía de microondas un cierto porcentaje del tiempo. El **Nivel de Potencia 7** es energía de microondas el 70% del tiempo. El **Nivel de Potencia 3** es energía el 30% del tiempo. La mayoría de las cocciones se harán en **Nivel de potencia 10**, lo cual le brinda el 100% de potencia.

**Power level 10 (Nivel de potencia 10)** hará la cocción más rápido pero será necesario revolver, rotar o dar vuelta la comida con mayor frecuencia. Una configuración inferior hará la cocción más pareja y se necesitará revolver y rotar menos la comida.

Algunas comidas podrán tener mejor sabor, textura o aspecto si se usa una de las configuraciones inferiores. Use un nivel de potencia inferior al cocinar comidas con tendencia a hervir, tales como papas en escalope.

Los períodos de descanso (cuando los ciclos de energía de microondas finalizan) brindan tiempo para que la comida “equipare” o transfiera calor al interior de la comida. Un ejemplo de esto se muestra con el nivel de potencia 3 - el ciclo de descongelamiento. Si la energía del microondas no finalizó el ciclo, la parte externa de la comida se cocinará antes de que el interior esté descongelado.

Estos son algunos ejemplos de aplicaciones para diferentes niveles de potencia:

**Nivel de potencia 10:** Pescado, bacon, verduras, calentar líquidos.

**Media alta 7:** Cocción suave de carne y aves, sirve para cocinar guisos y para recalentar.

**Media 5:** Cocina lenta y tierna para estofados o guisos y para partes menos tiernas de carne.

**Baja 2 o 3:** Para descongelar, cocer a “fuego” lento, para salsas delicadas.

**Algo caliente 1:** Mantener la comida caliente, ablandar la mantequilla.

## Acerca de las funciones

---

### Cook Time (Cocción con Temporizador)

Le permite cocinar en el horno microondas por cualquier tiempo hasta 99 minutos y 99 segundos.

1. Presione **Cook Time (Cocción con Temporizador)**.
2. Ingrese el primer tiempo de cocción.
3. El nivel de potencia está configurado de forma automática en 10, pero si desea reducir el nivel, presione **Power Level (Nivel de Potencia)** y luego seleccione un nivel de 1 a 9.
4. Presione **Start/ Pause (Iniciar/ Pausar)**.

Puede abrir la puerta durante **Cook Time (Cocción con Temporizador)** para controlar la comida. Cierre la puerta y presione **Start/ Pause (Iniciar/ Pausar)** para reanudar la cocción.

---

### Cocción en Múltiples Etapas

Como máximo 2 etapas pueden ser configuradas para la cocción. En la cocción en etapas múltiples, si una etapa está descongelando, entonces dicha función será colocada en la primera etapa de forma automática.

Nota: La cocción automática no puede trabajar en la cocción en etapas múltiples.

Por ejemplo: si desea cocinar con un 80% de potencia de microondas durante 5 minutos + un 60% de potencia de microondas durante 10 minutos. Los pasos para la cocción son los siguientes:

1. Presione **Time Cook (Cocción con Temporizador)**, luego presione "5", "0", "0" para configurar el tiempo de cocción;
2. Presione **Power (Potencia)** una vez, y luego presione "8" para seleccionar un 80% de potencia de microondas.
3. Presione **Time Cook (Cocción con Temporizador)** una vez, y luego presione "1", "0", "0", "0" para configurar el tiempo de cocción;
4. Presione **Power (Potencia)** una vez, y luego presione "6" para seleccionar un 60% de potencia de microondas.
5. Presione **Start/+30 Sec (Iniciar/+30 Seg)**.

# Acerca de las funciones

## Guía de Cocción para la Cocción por Tiempo

NOTA: Use el nivel de potencia 10 (Alto) a menos que se indique lo contrario.

Verdura	Cantidad	Tiempo	Comentarios
<b>Espárragos</b> (tallos frescos)	1 libra	5 a 8 min., Med-High (7)	En un plato de horneado de vidrio rectangular de 1¼, coloque ¼ de taza de agua. Gire el plato luego de la mitad del tiempo.
(tallos frescos)	paquete de 10 onzas	4 a 7 min.	En una cazuela de 1 litro.
<b>Frijoles</b> (verdes frescas)	1 libra cortada en mitades	10 a 14 min.	En una cazuela de 1¼ litro, coloque 1/2 taza de agua.
(verdes congeladas)	paquete de 10 onzas	4 a 8 min.	En una cazuela de 1 litro, coloque 2 cucharas soperas de agua.
(lima congelada)	paquete de 10 onzas	4 a 8 min.	En una cazuela de 1 litro, coloque ¼ de taza de agua.
<b>Remolachas</b> (frescas, enteras)	1 racimo	16 a 21 min.	En una cazuela de 2 litros, coloque 1/2 taza de agua.
<b>Brócoli</b> (cortado fresco)	1 racimo (1¼ a 1¼ libras)	5 a 9 min.	En una cazuela de 2 litros, coloque 1/2 taza de agua.
(tallos frescos)	1 racimo (1¼ a 1¼ libras)	7 a 10 min.	En un plato de horneado de vidrio rectangular de 2 litros, coloque ¼ de taza de agua. Gire el plato luego de la mitad del tiempo.
(congelado, cortado)	paquete de 10 onzas	4 a 7 min.	En una cazuela de 1 litro.
(tallos frescos)	paquete de 10 onzas	4 a 7 min.	En una cazuela de 1 litro, coloque 3 cucharas soperas de agua.
<b>Repollo</b> (fresco)	Media cabeza (aprox. 2 libras)	6 a 9 min.	En una cazuela de 1¼ o 2 litros, coloque ¼ de taza de agua.
(rodajas)		5 to 9 min.	En una cazuela de 2 o 3 litros, coloque ¼ de taza de agua.
<b>Zanahorias</b> (frescas, en rodajas)	1 libra	4 a 8 min.	En una cazuela de 1¼, coloque 1/4 taza de agua.
(congeladas)	paquete de 10 onzas	3 a 7 min.	En una cazuela de 1 litro, coloque 2 cucharas soperas de agua.
<b>Coliflor</b> (cabezas)	Media cabeza	7 a 10 min.	En una cazuela de 2 litros, coloque 1/2 taza de agua.
(frescas, enteras)	Media cabeza	7 a 14 min.	En una cazuela de 2 litros, coloque 1/2 taza de agua..
(congeladas)	paquete de 10 onzas	3 a 7 min.	En una cazuela de 1 litro, coloque 2 cucharas soperas de agua.
<b>Maíz</b> (granos congelados)	paquete de 10 onzas	2 a 6 min.	En una cazuela de 1 litro, coloque 2 cucharas soperas de agua.
<b>Elote</b> (fresco)	1 a 5 elotes	2-1/4 a 4 min. por elote	En un plato de horneado de vidrio rectangular de 2 litros, coloque maíz. Si el maíz tiene cáscara, no use agua; si el maíz ya fue pelado, agregue una taza de ¼ de agua. Reordene luego de la mitad del tiempo.
(congelados)	1 elote	3 a 6 min.	Coloque un plato de vidrio rectangular de 2 litros.
	2 a 6 elotes	2 a 3 min. por elote	Cubra con un envoltorio plástico ventilado. Reordene luego de la mitad del tiempo.
<b>Mezcla de verduras</b> (congelados)	paquete de 10 onzas	2 a 6 min.	En una cazuela de 1 litro, coloque 3 cucharas soperas de agua.
<b>Habas</b> (frescas, sin cáscara)	2 libras sin pelar	7 a 9 min.	En una cazuela de 1 litros, coloque 1/4 taza de agua.
(congelados)	paquete de 10 onzas	2 a 6 min.	En una cazuela de 1 litro, coloque 2 cucharas soperas de agua.
<b>Papas</b> (frescas, en cubos, blancas)	4 papas (8 onzas cada uno)	9 a 11 min.	Pele y corte en cubos de 1 pulgada. En una cazuela de 2 litros, coloque 1/2 taza de agua. Mezcle luego de la mitad del tiempo.
(frescas, entera, dulce o blancas)	1 (8 onzas)	2 a 4 min.	Perfore con un tenedor de cocina. Coloque en el horno, a 1 pulgada de distancia, en orden circular. Deje reposar por 5 minutos.
	2 (8 onzas cada uno)	6 a 7 min.	
	3	8 a 9 min.	
	4	11 a 12 min.	
<b>Espinaca</b> (fresca)	10 a 16 onzas	3 a 6 min.	En una cazuela de 2 litros, coloque la espinaca lavada.
(congelada, cortada o en hojas)	10-oz. package	3 a 6 min.	En una cazuela de 1 litro, coloque 3 cucharas soperas de agua.
<b>Zapallo</b> (fresco, calabaza y amarillo)	1 libra en rodajas	3 a 5 min.	En una cazuela de 1¼, coloque 1/4 taza de agua.
(de invierno, bellota o calabacita)	1 a 2 zapallos (aprox. 1 libra cada uno)	5 a 9 min.	Corte a la mitad y retire las membranas fibrosas. En un plato para hornear de vidrio rectangular de 2 litros, coloque el zapallo con el corte hacia abajo. Luego de 4 minutos, dé vuelta con el corte hacia arriba.



# Acerca de las funciones

## Descongelación por Tiempo

Time Defrost (Descongelación por Tiempo) le permite descongelar durante un período de tiempo seleccionado. Consulte los tiempos sugeridos en la Guía de Descongelación.

1. Presione **Descongelar (Defrost)** dos veces (la pantalla deberá mostrar Time Defrost (Descongelación por Tiempo))
2. Ingrese el tiempo de descongelación.
3. Presione **Start/ Pause (Iniciar/ Pausar)**.

Cuando el horno dé la señal, dé vuelta la comida y separe o reordene los trozos para una descongelación más pareja. Cubra cualquier área caliente con trozos pequeños de papel de aluminio. El horno continuará descongelando si no abre la puerta y da vuelta la comida.

El nivel de potencia se configura de forma automática en 3, pero se puede cambiar. Puede descongelar productos pequeños de forma rápida, incrementando el nivel de potencia luego de ingresar el tiempo. Power level 7 (Nivel de potencia 7) reduce el tiempo de descongelación total aproximadamente a la mitad; power level 10 (nivel de potencia 10) reduce el tiempo total a aproximadamente 1/3. Sin embargo, será necesario prestar mayor atención a la comida que lo usual.

Es posible que se escuchen ruidos de golpes secos durante la descongelación. Esto es normal cuando el horno no está funcionando en el nivel de potencia High (Alto).

### Consejos para la Descongelación

- Las comidas congeladas en papel o plástico se podrán descongelar en el paquete. Los paquetes cerrados se deberán cortar, perforar o ventilar LUEGO de que la comida se haya descongelado parcialmente. Los envases de plástico se deberán descubrir en forma parcial.
- Las comidas de tamaño familiar preempaquetadas se podrán descongelar y cocinar en el horno microondas. Si la comida se encuentra en el envase de papel de aluminio, traslade la misma a un plato para uso seguro en el horno microondas.
- Para una descongelación más pareja de comidas más grandes, tales como asado, use Weight Defrost (Descongelación por Peso). Asegúrese de que las carnes queden totalmente descongeladas antes de cocinar.
- Las comidas que se echan a perder con facilidad no se deberán dejar reposar por más de una hora luego de la descongelación. La temperatura ambiente estimula el desarrollo de bacterias nocivas.
- Una vez descongelada, la comida debería estar fría pero ablandada en todas las áreas. Si aún está un poco congelada, vuelva a colocarla en el horno microondas muy brevemente, o deje reposar la misma por unos pocos minutos.

## Descongelación por Peso

La función de descongelación por peso configura automáticamente los tiempos de descongelación y los niveles de potencia para producir resultados parejos de descongelación con carnes, aves y pescados que pesen hasta seis libras.

1. Presione **Descongelar (Defrost)** (la pantalla deberá mostrar Weight Defrost (Descongelación por Peso))
2. Usando la guía de conversión, ingrese el peso de la comida. Por ejemplo: presione las teclas 1 y 2 para 1.2 libras (1 libra, 2 onzas).
3. Presione **Start/ Pause (Iniciar/ Pausar)**.

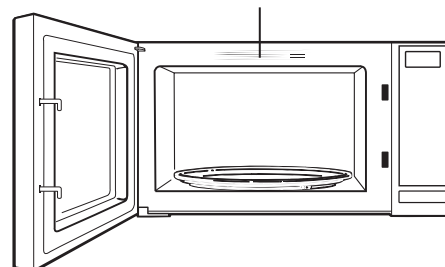
Hay una guía de cocción ubicada en el frente interior del horno.

- Retire la carne del paquete y coloque la misma en el plato de cocción segura en el microondas.
- Cuando el horno dé la señal, dé vuelta la comida. Retire la carne descongelada o cubra las partes calientes con trozos pequeños de papel de aluminio.
- Luego de descongelar, la mayoría de las carnes necesitan reposar durante 5 minutos para completar la descongelación. Al asar durante tiempo prolongado se debería dejar reposar por unos 30 minutos.

### Guía de Conversión

Si el peso de la comida se expresa en libras y onzas, las onzas se deberán convertir a décimas (.1) de una libra.	
Onzas	Libras
1-2	.1
3	.2
4-5	.3
6-7	.4
8	.5
9-10	.6
11	.7
12-13	.8
14-15	.9

Guía de Cocción



## Acerca de las funciones

Guía de Descongelación		
Comida	Tiempo	Comentarios
<b>Panes, Tortas</b>		
Panes, buñuelos o panecillos (1 trozo)	1/4 de min.	
Pastelitos (12 oz. aprox.)	2 a 4 min.	Reordene luego de la mitad del tiempo.
<b>Pescado y Mariscos</b>		
Lomos, congelados (1 lb.)	6 a 9 min.	
Mariscos, trozos pequeños (1 lb.)	3 a 7 min.	Coloque el bloque en la cacerola. Dé vuelta y separe luego de la primera mitad de tiempo.
<b>Fruta</b>		
Bolsa de plástico—1 o 2 (paquete de 10-oz.)	1 a 5 min.	
<b>Carne</b>		
Tocino (1 lb.)	2 a 5 min.	Coloque el paquete cerrado en el horno. Deje reposar por 5 minutos luego de la descongelación.
Salchichas Tipo Frankfurt (1 lb.)	2 a 5 min.	Coloque el paquete cerrado en el horno. Cocine en el horno microondas hasta que las salchichas tipo Frankfurt se puedan separar. Deje reposar por 5 minutos, de ser necesario, para completar la descongelación.
Carne picada (1 lb.)	4 a 6 min.	Dé vuelta luego de la primera mitad de tiempo.
Asar: bife, cordero, ternera, cerdo	9 a 12 min. por lb.	Use el nivel de potencia Warm (Caliente) (1).
Bistecs, chuletas de cerdo y cordero	4 a 8 min. por lb.	Coloque la carne aún envuelta en el plato de cocción. Dé vuelta luego de la primera mitad de tiempo y cubra las áreas calientes con papel de aluminio. Luego de la segunda mitad del tiempo, separe los trozos con un cuchillo de mesa. Espere hasta que se complete la descongelación.
<b>Ave</b>		
Pollo, hervir-freír - cortaar (2½ a 3 lbs.)	14 a 19 min.	Coloque el pollo envuelto en el plato. Desenvuelva y dé vuelta luego de la primera mitad de tiempo. Luego de la segunda mitad de tiempo, separe los trozos y coloque los mismos en un plato de cocción. Cocine en el horno microondas entre 2 y 4 minutos más, si es necesario. Deje reposar por unos pocos minutos para finalizar la descongelación.
Pollo, entero (2¾ a 3 lbs.)	20 a 24 min.	Coloque el pollo envuelto en el plato. Luego de la primera mitad de tiempo, desenvuelva y dé vuelta el pollo. Cobre las partes calientes con papel de aluminio. Para completar la descongelación, deje correr agua fría en la cavidad hasta que se puedan retirar los menudos.
Gallina de cornualles	7 a 12 min. por lb.	Coloque la gallina sin desenvolver en el horno con la pechuga hacia arriba. Dé vuelta luego de la primera mitad de tiempo. Deje correr agua por la cavidad hasta que se puedan quitar los menudos.
Pechuga de pavo (4 a 6 libras)	3 a 8 min. por lb.	Coloque la pechuga sin desenvolver en el plato para uso seguro en horno microondas con la pechuga hacia abajo. Luego de la primera mitad de tiempo, dé vuelta la pechuga hacia arriba y cubra las partes calientes con papel de aluminio. Descongele durante la segunda mitad del tiempo. Deje reposar entre 1 y 2 horas en el refrigerador para completar la descongelación.

# Acerca de las funciones

---

## Cocción Express

Ésta es una forma rápida de configurar el tiempo de cocción entre 1 y 6 minutos.

Presione una de las teclas de **Express Cook (Cocción Express)** (de 1 a 6) para una cocción entre 1 y 6 minutos en **power level 10 (nivel de potencia 10)**. Por ejemplo: presione la tecla 2 para un tiempo de cocción de 2 minutos.

El nivel de potencia se puede modificar mientras se está realizando la cuenta regresiva. Presione **Power Level (Nivel de Potencia)** e ingrese una opción del 1 al 10.

**NOTA: La función Express Cook (Cocción Express) se aplica sólo con las teclas 1 a 6.**

---

## Agregar 30 segundos

Agregará 30 segundos a la cuenta regresiva cada vez que la tecla se presione. Cada vez que presione se sumarán 30 segundos, hasta 99 minutos y 99 segundos.

El horno comenzará a funcionar de inmediato cuando se presione.

## Acerca de las funciones

### Sensor de Humedad

Sensor Features (Funciones del Sensor) detectan la humedad creciente liberada durante la cocción. El horno ajusta de forma automática el tiempo de cocción a diferentes tipos y cantidades de comida.

No use Sensor Features (Funciones del Sensor) dos veces seguidas en la misma porción de comida; esto podrá hacer que la comida se sobrecaliente de forma excesiva o que se queme. Asegúrese de dejar que el horno se enfríe entre 5 y 10 minutos, antes de iniciar la siguiente cocción con sensor.

Si la comida no termina de cocinarse luego de la cuenta regresiva, use Cook Time (Tiempo de Cocción) para adicionar tiempo de cocción.

- Es esencial contar con envases y cobertores para una mejor cocción con sensor.



Cubierto

- Siempre use envases para uso seguro en el horno microondas y cubra los mismos con tapas o envoltorios de plástico ventilados. Nunca use envases de plástico sellados – pueden impedir la salida de vapor y hacer que la comida se sobrecaliente.



Ventilado

- Asegúrese de que la parte exterior de los envases de cocción y el interior del horno microondas estén secos antes de colocar comida en el horno. Las gotas de humedad que se convierten en vapor pueden alterar el funcionamiento del sensor.



Seque los platos de modo que no alteren el funcionamiento del sensor.

### Beverage (Bebida) (Función del Sensor)

Presione Beverage (Bebida) para seleccionar 1 o 2 tazas (8 a 10 onzas cada una).

Las bebidas calentadas con la función Beverage (Bebida) pueden quedar muy calientes. Retire el envase con cuidado.

Si la bebida no está lo suficientemente caliente, no vuelva a usar el botón Beverage (Bebida) para continuar calentando la misma. Use el botón Cook Time (Tiempo de Cocción) para continuar calentando.

### Vegetable (Verdura) (Función del Sensor)

Use la función **Vegetable (Verdura)** para cocinar entre 4 y 16 onzas de verduras frescas, congeladas o en lata.

1. Para las verduras frescas, agregue 2 cucharas soperas de agua por porción. Para las verduras congeladas, siga las instrucciones del paquete para agregar agua. Cubra con una tapa o envoltorio de plástico. Coloque las verduras en el horno.
2. Presione **Vegetable (Verdura)** una vez para las verduras frescas, dos veces para las verduras congeladas o tres veces para las verduras en lata.

Si abre la puerta, se visualizará ERR. Se deslizará hasta que se presione Cancel/ Off (Cancelar/ Apagar).

Si las verduras aún no están cocinadas de forma satisfactoria, no use el botón Vegetable (Verdura) nuevamente. Use Cook Time (Tiempo de Cocción).

## Acerca de las funciones

---

### Reheat (Recalentar) (Función del Sensor)

La función Reheat (Recalentar) vuelve a calentar comidas cocinadas previamente o un plato con restos de comida de entre 8 y 24 onzas.

1. Coloque la comida cubierta en el horno. Presione **Reheat (Recalentar)**. La pantalla mostrará REH. Presione Start (Iniciar).
2. Cuando el ciclo Reheat (Recalentar) esté casi completo, el control titilará y mostrará los segundos restantes hasta que el ciclo Reheat (Recalentar) esté completo.

Si abre la puerta durante el ciclo Reheat (Recalentar) el horno se apagará y la pantalla mostrará ERR. Deberá presionar Cancel/Off (Cancelar/ Apagar) para borrar la pantalla y luego podrá usar el horno nuevamente.

Luego de retirar la comida del horno, revuelva, si es posible, para emparejar la temperatura. Si la comida no se calentó lo suficiente, no vuelva a usar el botón Reheat (Recalentar). Use Cook Time (Tiempo de Cocción), para recalentar durante más tiempo. Las comidas recalentadas podrán tener amplias variaciones

de temperatura. Algunas partes de la comida podrán estar extremadamente calientes.

Es mejor usar Cook Time (Tiempo de Cocción) para estas comidas:

- Productos con pan.
- Comidas que se deben recalentar sin estar cubiertas.
- Comidas que se deben revolver o girar.
- Comidas que deben tener un aspecto seco o una superficie crocante luego de recalentar.

### Potato (Papa) (Función del Sensor)

La función Potato (Papa) cocina una o dos papas de 8 onzas.

1. Perfore la piel con un tenedor y coloque las papas en el plato giratorio. Si cocinará tres o más papas, ubique las mismas en un patrón de estrella.
2. Presione el botón Potato (Papa). La pantalla mostrará POT. Presione el botón Potato (Papa) para seleccionar 1 o 2 papas. Luego presione Start (Iniciar).

Si abre la puerta durante el ciclo Potato (Papa) el horno se apagará y la pantalla mostrará ERR. Deberá presionar Cancel/Off (Cancelar/ Apagar) para borrar la pantalla y luego podrá usar el horno nuevamente.

Si las papas aún no están cocinadas de forma satisfactoria, no use el botón Potato (Papa) nuevamente. Use Cook Time (Tiempo de Cocción):

### Popcorn (Palomitas de Maíz) (Función del Sensor)

1. Si desea cocinar un paquete inferior a 1.75 onzas, o más de 3.5 onzas, entonces use Cook Time (Tiempo de Cocción) y siga las instrucciones que figuran en el paquete.
2. Presione Popcorn (Palomitas de Maíz) para seleccionar onzas y luego presione Start/Pause (Iniciar/ Pausar).

Si las palomitas de maíz aún no están cocinadas de forma satisfactoria, Use el botón Cook Time (Tiempo de Cocción) para continuar cocinando.

## Acerca de las funciones

### Healthy Menu (Menú Saludable)

Use la función Healthy Menu (Menú Saludable) para cocinar comidas saludables por porciones o con sensor.

1. Coloque la comida en el horno y presione la tecla Healthy Menu (Menú Saludable).
2. Ingrese el código de la comida. Consulte Cooking Guide for Healthy Menu (Guía de Cocción del Menú Saludable) para conocer los códigos.
3. Ingrese la cantidad de porciones (1 a 4) para los códigos 1 a 3.

Para el Código 4 a 10, el horno se puede iniciar sin la necesidad de una selección de porciones.

4. Presione Start/ Pause (Iniciar/ Pausar).

Si abre la puerta mientras se visualiza el código de comida de Healthy Menu (Menú Saludable), aparecerá el mensaje "ERR". Se deslizará hasta que se presione Cancel/ Off (Cancelar/ Apagar).

### Guía de Cocción para la Función del Menú Saludable

Nota: Use el nivel de potencia 10 a menos que se indique lo contrario.

Ingrese el Código	Elección de Comida	Configuración por Peso
1	Arroz	1 a 4 porciones (Nivel de Potencia 7 para 1 porción)
2	Avena	1 a 4 Porciones
3	Pasta	1 a 4 Porciones
4	Espárragos	Menú del Sensor
5	Broccoli	Menú del Sensor
6	Frijoles Verdes	Menú del Sensor
7	Zanahorias	Menú del Sensor
8	Guisantes Verdes	Menú del Sensor
9	Espinaca	Menú del Sensor
10	Papa	Menú del Sensor

### Melt/Soften (Ablandar/ Derretir)

Use la función Melt/Soften (Ablandar/ Derretir) para ablandar/ derretir las opciones de comidas por porción.

1. Coloque la comida en el horno y presione la tecla Melt/Soften (Ablandar/ Derretir).
2. Ingrese el código de la comida. Consulte Cooking Guide for Melt/Soften (Guía de Cocción para Ablandar/ Derretir) para conocer los códigos.
3. Ingrese la cantidad de porciones.
4. Presione Start/ Pause (Iniciar/ Pausar).

### Guía de Cocción para la Función Ablandar/ Derretir

Nota: Use el nivel de potencia 10 a menos que se indique lo contrario.

Ingrese el Código	Derretir o Ablandar	Elección de Comida	Configuración por Peso
1	Derretir	Manteca Margarina	1 a 3 Bastones
2	Derretir	Chocolate	4 a 8 onzas
3	Derretir	Queso	8 a 16 onzas
4	Derretir	Malvaviscos	5 a 10 onzas
5	Ablandar	Manteca	1 a 3 Bastones
6	Ablandar	Helado Jugo Congelado	1 a 3 onzas
7	Ablandar	Queso Crema	1 a 2 onzas

## Other Features

---

### Recordatorio de Cocción Completa

Para recordarle que colocó comida en el horno, este último mostrará "END" (Fin) y emitirá un pitido una vez

por minuto hasta que abra la puerta del horno o presione el botón Cancel/ Off (Cancelar/ Apagar).

### Controles de Bloqueo

Puede bloquear el panel de control para evitar que el microondas se inicie de forma accidental o sea usado por niños.

Para bloquear o desbloquear los controles, mantenga presionado Cancel/ Off (Cancelar/ Apagar) durante unos tres segundos. Cuando el panel de control esté bloqueado, en la pantalla se visualizará "LOC".

### Pantalla del Reloj

Para encender o apagar la pantalla del reloj, presione Clock Display (Pantalla del Reloj). La función Display On/ Off (Pantalla Encendida/ Apagada) no puede ser usada mientras una función de cocción esté en uso.

### Set Clock (Configurar Reloj)

Presione para ingresar la hora del día o para completar la hora del día mientras cocina con microondas.

1. Presione **Set Clock (Configurar Reloj)**.
2. Ingrese la hora del día.
3. Presione **Start (Iniciar)** o **Set Clock (Configurar Reloj)**.

### Start/Pause (Iniciar/ Pausar)

Además de iniciar muchas funciones, Start/ Pause (Iniciar/ Pausar) le permite dejar de cocinar sin abrir la puerta ni borrar la pantalla. Presione **Start/ Pause (Iniciar/ Pausar)** nuevamente para reiniciar el horno.

### Timer On/Off (Temporizador Encendido/ Apagado)

Timer On/ Off (Temporizador Encendido/ Apagado) funciona como un temporizador por minutos y puede ser usado en cualquier momento, incluso cuando el horno está funcionando.

Cuando el tiempo concluya, el temporizador emitirá una señal. Para apagar la señal del temporizador, presione **Timer On/ Off (Temporizador Encendido/ Apagado)**.

La pantalla muestra la cuenta regresiva del Temporizador, incluso cuando el horno está en funcionamiento.

1. Presione **Timer On/ Off (Temporizador Encendido/ Apagado)**.
2. Ingrese la cantidad de tiempo durante el cual desea que se realice la cuenta regresiva.
3. Presione **Timer On/ Off (Temporizador Encendido/ Apagado)** para comenzar.

### Sound (Sonido)

Usted puede apagar todos los pitidos, presionando el botón Sound (Sonido) de modo que en la pantalla se visualice MUTE (Mudo). Presionar el botón Sound (Sonido)

nuevamente quitará MUTE (Mudo) de la pantalla y activará todos los pitidos nuevamente.

## Términos del Microondas

Término	Definición
Arco eléctrico	<p>El arco eléctrico es lo que, en la terminología de los microondas, describe las chispas en el horno. El arco eléctrico se produce cuando:</p> <ul style="list-style-type: none"> <li>■ el estante de metal se ha instalado de forma incorrecta y está tocando las paredes del microondas.</li> <li>■ hay un metal o papel de aluminio tocando el lateral del horno.</li> <li>■ hay papel de aluminio no está envolviendo bien la comida (hay bordes doblados hacia arriba que actúan como antenas).</li> <li>■ hay algún metal, como cintas de cierre con metal, pinchos de pollo, o platos con decoración de oro.</li> <li>■ hay papel toalla reciclado que contiene pequeñas piezas de metal.</li> <li>■ el soporte del aro del plato giratorio está instalado incorrectamente.</li> </ul>
Cubierto	Las cubiertas mantienen la humedad dentro, permitiendo un calentamiento más parejo y reduciendo el tiempo de cocción. Cuando se agujerea el envoltorio de plástico o se cubre con papel de cera se permite la salida del vapor.
Resguardar	En un horno convencional, se tapan o resguardan las pechugas de pollo o las comidas horneadas para que no se doren demasiado. Al usar el microondas, use pequeñas cintas de papel de aluminio para cubrir partes finas, como las puntas de las alas en las aves, que podrían cocinarse antes que las partes mayores.
Tiempo de reposo	Cuando cocina en hornos regulares, las comidas como los asados o pasteles se dejan reposar para que acaben de cocinarse o se asienten. El tiempo de reposo es especialmente importante al cocinar con microondas. Tenga en cuenta que un pastel cocido en horno microondas no se coloca en un estante de enfriamiento.
Abrir respiraderos	Una vez que haya cubierto un plato con film plástico, deberá abrir un orificio desplegando una esquina para que pueda escapar el vapor.



# Cuidado y limpieza

## Consejos Útiles

Una limpieza completa de forma ocasional con una solución de bicarbonato y agua mantiene el interior fresco.

Desenchufe el cable antes de limpiar cualquier parte del horno.



## Cómo Limpiar el Interior

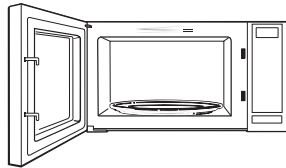
### Paredes, Piso, Ventana Interior, Partes Metálicas y Plásticas de la Puerta

Algunas salpicaduras se pueden eliminar con una toalla de papel; otras pueden requerir una tela húmeda. Elimine salpicaduras de grasa con una tela con jabón, y luego enjuague con una tela húmeda. No use limpiadores abrasivos ni utensilios puntiagudos sobre las paredes del horno.

Para limpiar la superficie del horno y la superficie del horno que se une al cerrar, use sólo jabones suaves y no ásperos o detergentes con una esponja o tela suave.

Enjuague con una tela húmeda y seca.

Nunca use un limpiador para hornos comerciales en ninguna parte de su horno microondas.



### Plato Giratorio y Soporte Giratorio Extraíbles

Para evitar roturas, no coloque el plato giratorio en agua luego de cocinar. Lave el mismo cuidadosamente con agua tibia y jabón o en el lavavajillas. El plato giratorio y el soporte se pueden romper en caso de caída. Recuerde que no se debe usar el horno si el plato giratorio y el soporte no se encuentran en su lugar.



## Cómo Limpiar el Área Exterior

No use limpiadores que contengan amoníacos o alcohol en el horno microondas. El amoníaco o el alcohol pueden dañar el aspecto del horno microondas.

### Cubierta Superior

Limpie el área exterior del horno microondas con una tela con jabón. Enjuague con una tela húmeda y luego seque. Limpie la ventana con una tela húmeda.

### Panel de Control y Puerta

Limpie con una tela húmeda. Seque totalmente. No use espráis limpiadores, grandes cantidades de agua y jabón, objetos abrasivos o puntiagudos sobre el panel, ya que lo pueden dañar. Algunas toallas de papel también pueden rayar el panel de control.

### Superficie de la Puerta

Es importante mantener el área limpia donde la puerta se selle contra el horno microondas. Use sólo detergentes suaves y no abrasivos con una esponja limpia o tela suave. Enjuague bien.

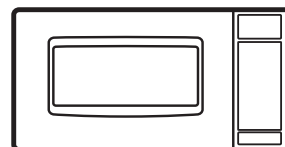
### Cable de Corriente

Si el cable se ensucia, desenchufe y lave con una tela húmeda. En caso de manchas difíciles de quitar, se podrá usar agua con jabón, pero asegúrese de enjuagar con una tela húmeda y de secar completamente antes de conectar el cable en el tomacorriente.

### Acero Inoxidable (en algunos modelos)

No use virutas de acero; éstas dañarán la superficie.

Para limpiar la superficie de acero inoxidable, use una tela caliente y húmeda con un detergente suave adecuado para superficies de acero inoxidable. Use una tela limpia, caliente y húmeda para eliminar el jabón. Seque con una tela limpia y seca. Siempre friegue la superficie en la dirección del veteado.



## Troubleshooting Tips

PROBLEMA	CAUSA POSIBLE
EL HORNO NO SE ENCIENDE	Es posible que un fusible de su hogar se haya quemado o que el disyuntor se haya desconectado. Reemplace el fusible o reinicie el disyuntor.
	Desenchufe el horno microondas; luego vuelva a enchufarlo.
	Asegúrese de que el cable de 3 patas del horno esté completamente insertado en el tomacorriente.
EL PANEL DE CONTROL ESTÁ ILUMINADO, PERO EL HORNO AÚN NO SE INICIA	La puerta no está cerrada de forma segura.
	La tecla <b>Start/ Pause (Iniciar/ Pausar)</b> no se presionó luego de ingresar la configuración de la cocción.
	Otra selección ya fue ingresada en el horno y el botón <b>Cancel/ Off (Cancelar/ Apagar)</b> no se presionó para cancelar la misma.
	Asegúrese de haber ingresado el tiempo de cocción luego de presionar <b>Cook Time (Tiempo de Cocción)</b> .
	Se presionó <b>Cancel/ Off (Cancelar/ Apagar)</b> de forma accidental. Reinicie el programa de cocción y presione <b>Start/ Pause (Iniciar/ Pausar)</b> .
	Asegúrese de haber ingresado el peso de la comida luego de seleccionar <b>Defrost Weight (Descongelación por Peso)</b> .
"ERR" APARECE EN LA PANTALLA	El horno fue pausado de forma accidental. Presione <b>Start/ Pause (Iniciar/ Pausar)</b> para reiniciar el programa de cocción.
	Al usar un programa de Cocción con Sensor, la puerta fue abierta antes de que se pudiera detectar el vapor. "ERR" se deslizará hasta que se presione <b>Cancel/ Off (Cancelar/ Apagar)</b> .
"LOC" (BLOQUEADO) APARECE EN LA PANTALLA	No se detectó vapor en una cantidad de tiempo máxima. Use <b>Cook Time (Tiempo de Cocción)</b> para calentar durante más tiempo.
	El panel de control fue bloqueado. (Cuando el panel de control está bloqueado, aparece una "LOC"). Mantenga presionada la tecla <b>Cancel/ Off (Cancelar/Apagar)</b> por unos tres segundos para desbloquear el panel de control.
LA CANTIDAD DE COMIDA ES DEMASIADO GRANDE PARA RECALENTAR CON EL SENSOR	Sensor Reheat (Recalentar con Sensor) es para porciones simples de comidas recomendadas. Use <b>Cook Time (Tiempo de Cocción)</b> para grandes cantidades de comida.
EN LA PANTALLA SE VISUALIZA "FOOD" (COMIDA).	El control detectó que la puerta no fue abierta (no fue colocada comida/ bebida dentro).
EN LA PANTALLA SE VISUALIZA "PF"	Se produjo un corte de corriente. Presione <b>Cancel/ Off (Cancelar/ Apagar)</b> para borrar la pantalla.
"F3" APARECE EN LA PANTALLA	Una tecla fue activada durante más de 60 segundos. Presione <b>Cancel/Off (Cancelar/ Apagar)</b> para borrar la pantalla. Esto puede suceder en caso de haber líquido sobre el panel de control. Seque el panel de control completamente luego de su limpieza.

### Cosas que son Normales de su Horno Microondas

- Vapor que sale alrededor de la puerta.
- Reflejo de luz alrededor de la puerta o la cubierta exterior.
- Luz del horno tenue y cambio del sonido del pitido en niveles de potencia que no son altos.
- Ruido de golpes secos mientras el horno está en funcionamiento.
- Se podrán observar interferencias de TV/ radio mientras usa el horno microondas. De forma similar a la interferencia causada por otros electrodomésticos pequeños, esto no indica que exista un problema con el horno microondas. Enchufe el horno microondas en un circuito eléctrico diferente, aleje la radio o la TV tanto como sea posible del horno microondas, o controle la posición y la señal de la antena de la TV/ radio.

# Garantía de Horno Microondas GE Appliances

**GARANTÍA**

Staple your receipt here.  
Proof of the original purchase  
date is needed to make a  
warranty claim.

For the period of	GE Appliances Decidirá Reparar o Reemplazar:
<b>One year</b> From the date of the original purchase	Cualquier producto que falle debido a un defecto en los materiales o la fabricación. La unidad de reemplazo posee garantía por el resto del período de garantía original de un año sobre el producto.

## A Fin de Realizar un Reclamo sobre la Garantía:

Llame a GE Appliances al 800 GE CARES (800 432-2737). Tenga el número de modelo y el número de serie disponibles.

## Qué No Cubrirá GE Appliances:

- Instrucciones para el cliente. Este manual del propietario brinda información relacionada con instrucciones de funcionamiento y controles del usuario. El Manual del Propietario está disponible a través de Internet en GEAPPLIANCES.com
- Instalación, entrega o mantenimiento inadecuados.
- Falla del producto o daño sobre el mismo si se produce un abuso, uso inadecuado (por ejemplo: arco eléctrico en una cavidad de la rejilla o metal/ papel de aluminio), o uso diferente para el cual fue diseñado o uso comercial.
- Reemplazo de fusibles de la casa o reinicio de disyuntores.
- Daños ocasionados sobre el producto por accidente, incendio, inundaciones o catástrofes naturales.
- Daños consecuentes o incidentales causados por posibles defectos de este producto.
- Daño causado después de la entrega.

## EXCLUSIÓN DE GARANTÍAS IMPLÍCITAS

Su única y exclusiva alternativa es la reparación del producto, como se indica en la Garantía Limitada. Las garantías implícitas, incluyendo garantías implícitas de comerciabilidad o conveniencia sobre un propósito particular, se limitan a un año o al período más corto permitido por la ley.

Esta garantía se extiende al comprador original y a cualquier dueño subsiguiente de productos comprados para uso hogareño dentro de EE.UU.

Algunos estados no permiten la exclusión o limitación de daños fortuitos o consecuentes. Esta garantía limitada le da derechos legales específicos y es posible que tenga otros derechos legales que varían entre un estado y otro. Para conocer cuáles son sus derechos legales, consulte a la oficina de asuntos del consumidor local o estatal o al Fiscal de su estado.

Exclusión de garantías implícitas: Excepto cuando esté prohibido por la ley, no existen garantías, ya sean expresas, orales o estatutarias, que se extiendan más allá de la descripción aquí presente, incluyendo específicamente las garantías implícitas de comerciabilidad o conveniencia para un propósito particular.

**Garante: GE Appliances, a Haier company**

Apóche su recibo aquí. Para acceder al servicio técnico de acuerdo con la garantía deberá contar con la prueba de la fecha original de compra.

# Soporte para el Consumidor

---

## Sitio Web de GE Appliances

¿Desea realizar una consulta o necesita ayuda con su electrodoméstico? ¡Intente a través del Sitio Web de GE Appliances las 24 horas del día, cualquier día del año! Usted también puede comprar más electrodomésticos maravillosos de GE Appliances y aprovechar todos nuestros servicios de soporte a través de Internet, diseñados para su conveniencia.

En EE.UU.: [GEAppliances.com](http://GEAppliances.com)

---

## Registre su Electrodoméstico

¡Registre su electrodoméstico nuevo a través de Internet, según su conveniencia! Un registro puntual de su producto permitirá una mejor comunicación y un servicio más puntual de acuerdo con los términos de su garantía, en caso de surgir la necesidad. También puede enviar una carta en la tarjeta de inscripción preimpresa que se incluye con el material embalado.

En EE.UU.: [GEAppliances.com/register](http://GEAppliances.com/register)

---

## Servicio Programado

El servicio de reparación de expertos de GE Appliances está a sólo un paso de su puerta. Conéctese a través de Internet y programe su servicio a su conveniencia cualquier día del año. En EE.UU.: [GEAppliances.com/ge/service-and-support/service.htm](http://GEAppliances.com/ge/service-and-support/service.htm) o comuníquese al 800.432.2737 durante el horario de atención comercial.

---

## Piezas y Accesorios

Aquellos individuos calificados para realizar el servicio técnico de sus propios electrodomésticos podrán solicitar el envío de piezas o accesorios directamente a sus hogares (se aceptan las tarjetas VISA, MasterCard y Discover). Ordene hoy a través de Internet durante las 24 horas, todos los días. En EE.UU.: [GEApplianceparts.com](http://GEApplianceparts.com) o de forma telefónica al 877.959.8688 durante el horario de atención comercial.

**Las instrucciones que figuran en este manual cubren los procedimientos que serán realizados por cualquier usuario. Otros servicios técnicos generalmente deben ser derivados a personal calificado del servicio. Se deberá tener cuidado, ya que una reparación indebida podrá hacer que el funcionamiento no sea seguro.**

---

## Contáctenos

Si no se encuentra satisfecho con el servicio que recibió de GE Appliances, comuníquese con nosotros a través de nuestro sitio Web con todos los detalles, incluyendo su número telefónico, o escriba a:

En EE.UU.: General Manager, Customer Relations | GE Appliances, Appliance Park | Louisville, KY 40225

[GEAppliances.com/ge/service-and-support/contact.htm](http://GEAppliances.com/ge/service-and-support/contact.htm)