

# PK7800EK/SK

## GE Profile™ Series 27" Built-In Combination Convection Microwave/Convection Wall Oven

### DIMENSIONS AND INSTALLATION INFORMATION (IN INCHES)

**MOST 30" WALL CABINETS CAN BE USED WITH THIS UNIT.**

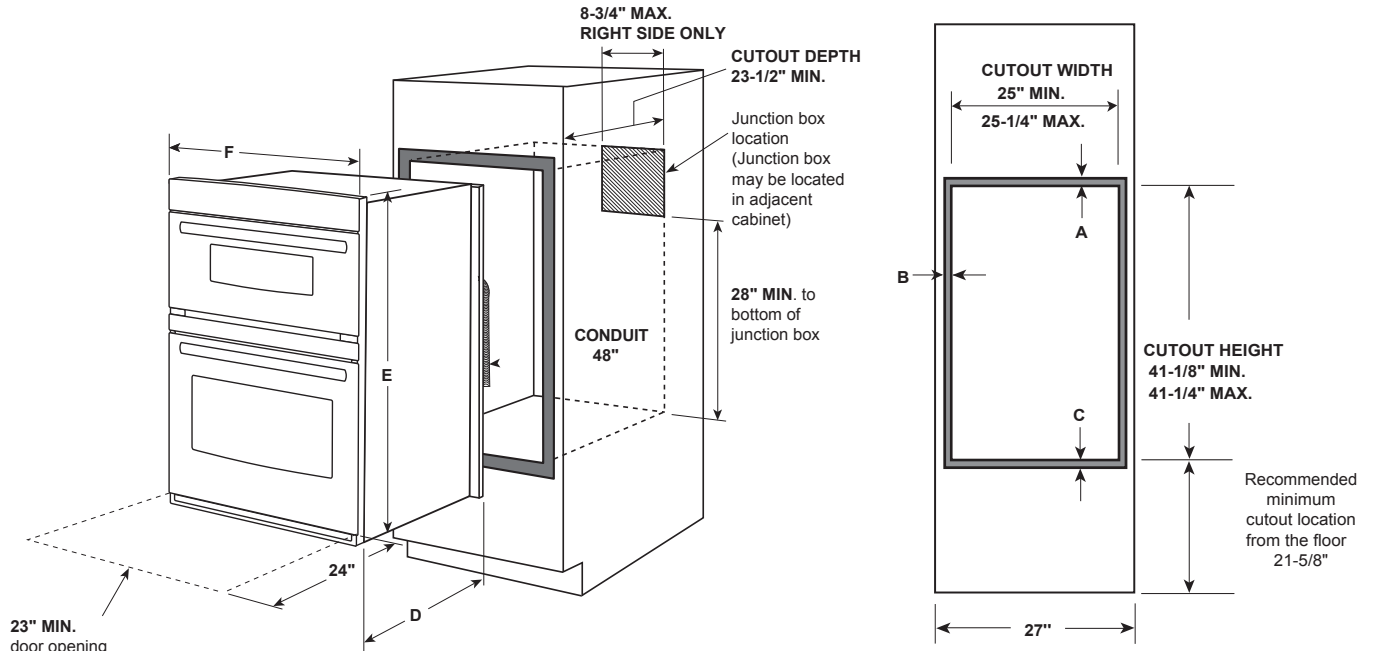
**NOTE:** These ovens are not approved for stackable installations. Cabinets installed adjacent to wall ovens must have an adhesion spec of at least a 194°F temperature rating.

Door handle protrudes 3" from door face. Cabinets and drawers on adjacent 45° and 90° walls should be placed to avoid interference with the handle.

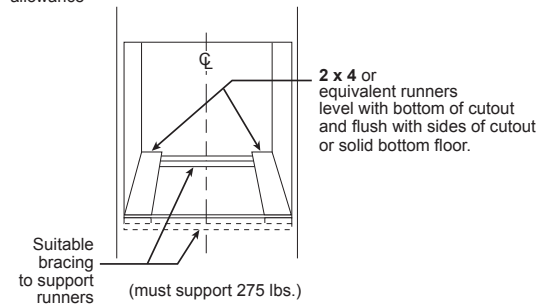
Electric wall ovens are not approved for installation with a plug and receptacle. They must be hard wired in accordance with installation instructions.

**INSTALLATION INFORMATION:** Before installing, consult installation instructions packed with product for current dimensional data.

Side-by-side installations require at least 2" between cutouts.



23" MIN. door opening allowance



**ATTENTION INSTALLER:** All electric wall ovens must be hard-wired (direct-wired) into an approved junction box. A plug and receptacle is NOT permitted on these products.

**NOTE:** If the cabinet does not have a solid bottom, two braces or runners must be installed to support the weight of the oven. For single ovens, the runners and braces must support 200 lbs (91 kg). For double ovens, the runners and braces must support 375 lbs. (170 kg).

**NOTE:** If marks, blemishes or the cutout opening are visible above the installed oven, it may be necessary to add wood shims under the runners and front trim until the marks or opening are covered.

**NOTE:** If the cabinet does not have a front frame and the sides are less than 3/4" (1.9 cm) thick, shim both sides equally to establish the cutout width.

	PK7800
<b>CABINET</b>	27"
<b>A</b> —Overlap of oven at top of cutout	1"
<b>B</b> —Overlap of oven over side of edges of cutout	3/4"
<b>C</b> —Overlap of oven at bottom of cutout	1"
<b>OVEN</b>	
<b>D</b> —Install depth	23-1/2"
<b>E</b> —Overall height with trim	42-3/8"
<b>F</b> —Overall width	26-3/4"

KW RATING	
240V	7.2
208V	5.4
BREAKER SIZE	
240V	30 Amps†
208V	30 Amps†

†**NOTE:** Check local codes for required breaker size.



For answers to your Monogram, GE Café™ Series, GE Profile™ Series or GE Appliances product questions, visit our website at [geappliances.com](http://geappliances.com) or call GE Answer Center® Service, 800.626.2000.



Listed by Underwriters Laboratories



# PK7800EK/SK

## *GE Profile™ Series 27" Built-In Combination Convection Microwave/Convection Wall Oven*

### **FEATURES AND BENEFITS**

Convection microwave (upper oven) – Circulates heat for high-quality results

True European Convection (lower oven) – Achieve delicious results from a third heating element and fan combination

Self-clean, heavy-duty roller rack (lower oven) – Easily access items with a rack that glides smoothly

Self-clean with Steam Clean option (lower oven) – Clean your oven the way you want

Glass touch controls – Set temperatures quickly and clean with little effort

Halogen interior oven lighting (lower oven) – Easily see how your food is baking

Ten-pass bake element (lower oven) – Even baking is assured with heat that covers more surface area

Eight-pass broil element (lower oven) – Get full broil coverage and even browning from edge to edge

1.7 cu. ft. microwave capacity, 1,000 Watts (IEC-705 test procedure)

16" turntable (upper oven) – Rotates food throughout the cooking cycle for even cooking results

Model PK7800EKES – Slate

Model PK7800SKSS – Stainless steel

### **GUARANTEED FIT**

Replacing a similar wall oven from GE or another brand? GE wall ovens are guaranteed for an exact fit to make replacement easy

Visit [geappliances.com](http://geappliances.com) for more info

