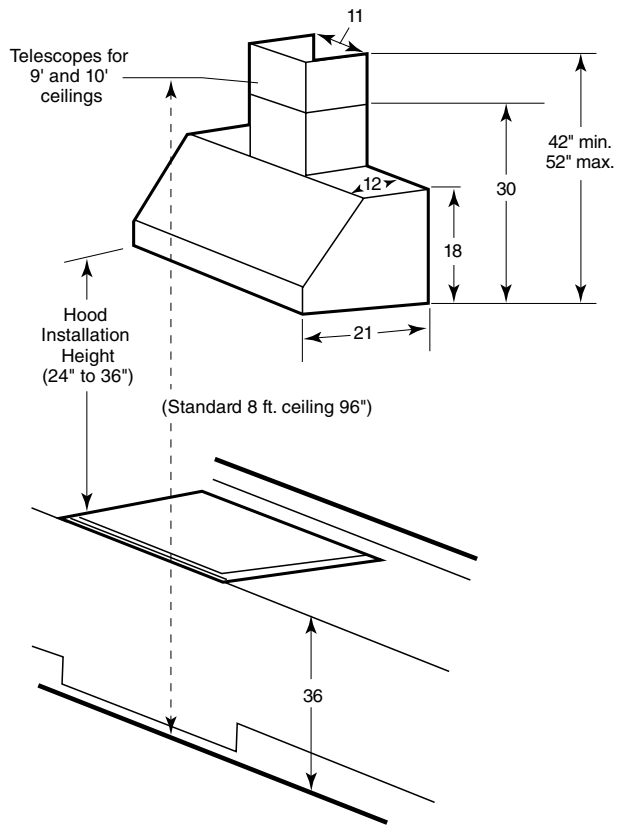




Profile™

JV936D – GE Profile™ 30" Designer Hood

Installed above a cooktop (shown with optional chimney kit)
(Dimensions in inches)

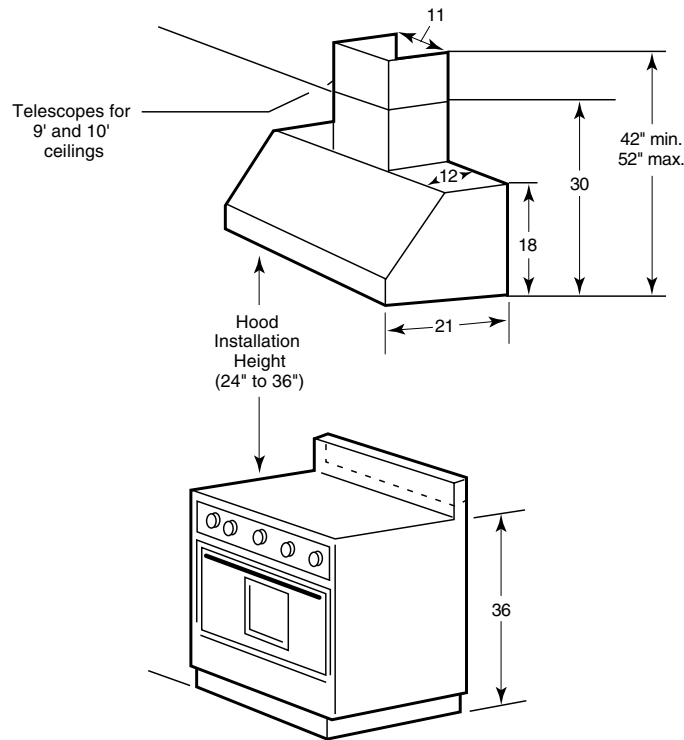


Note: Typical overhead cabinets are 12" deep. For cabinets of greater depth, place spacer of non-combustible material behind hood.

Specification Revised 5/11

220955

Installed above a range (shown with optional chimney kit)
(Dimensions in inches)



Installation Information:

Before installing, consult Use & Care/ installation instructions packed with product for current dimensional data.

Optional Kits for 30" Designer hoods

JXCHSS—Stainless Chimney Kit

Amp Rating	
120V	3.9



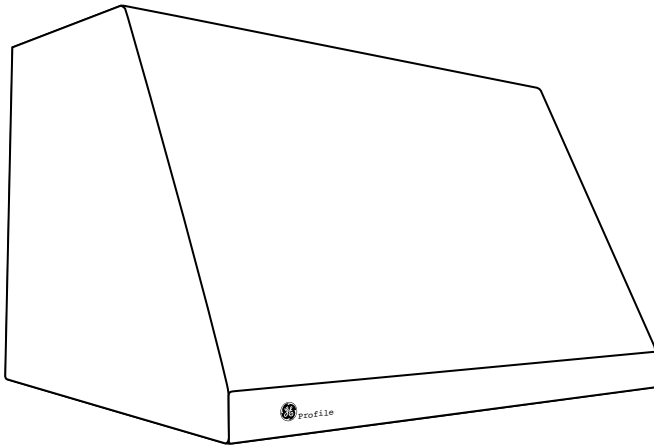
Listed by
Underwriters
Laboratories

For answers to your Monogram,® GE Profile™ or GE® appliance questions, visit our website at GEAppliances.com or call GE Answer Center® service, 800.626.2000.



Profile™

JV936D – GE Profile™ 30" Designer Hood



Features and Benefits

- 30" Cooktop
- 590 CFM Rating
- 4-Speed Fan Control
- Dual Halogen Lighting (Off/High/Night)
- Dishwasher Safe Filter Cleaning
- Hidden Controls
- 7 Sones Rating
- 7" Round Duct Size (Vertical Only)
- Model JV936DSS – Stainless steel