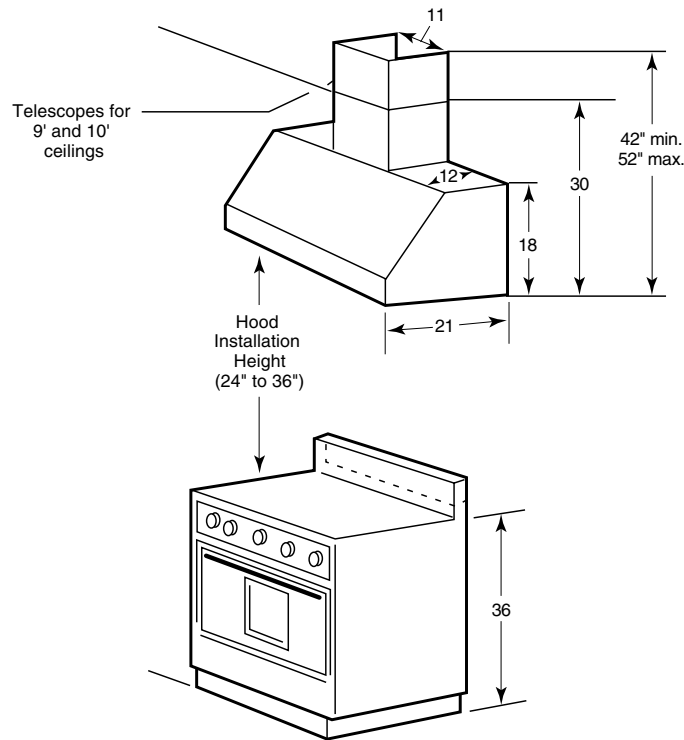
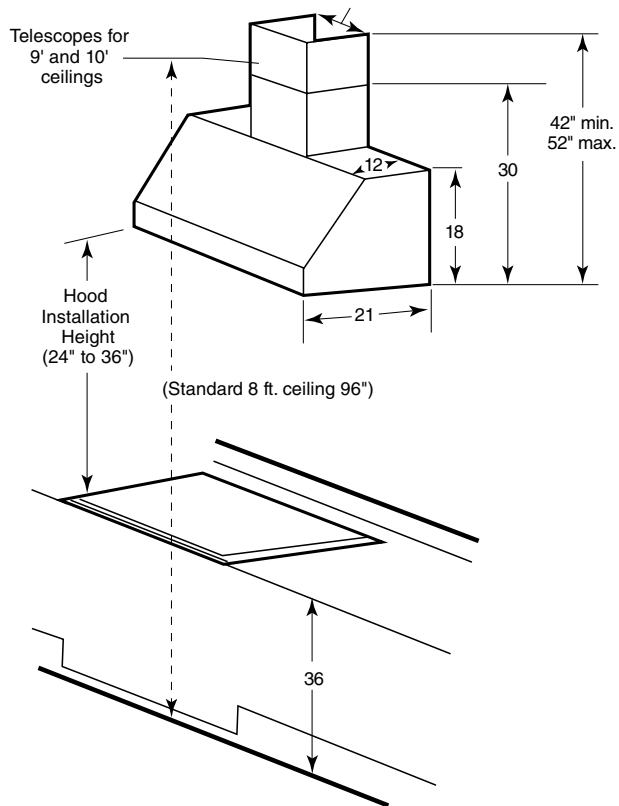




Profile™

JV966D – GE Profile™ 36" Designer Hood

Installed above a cooktop (shown with optional chimney kit)
(Dimensions in inches)



Installation Information:

Before installing, consult Use & Care/ installation instructions packed with product for current dimensional data.

Optional Kits for 30" Designer hoods

JXCHSS—Stainless Chimney Kit

Amp Rating	
120V	3.6

Note: Typical overhead cabinets are 12" deep. For cabinets of greater depth, place spacer of non-combustible material behind hood.

Specification Revised 5/11

220956

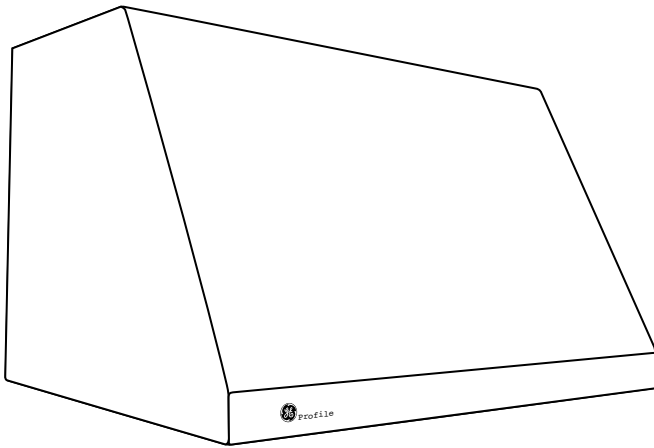


For answers to your Monogram®, GE Profile™ or GE® appliance questions, visit our website at GEAppliances.com or call GE Answer Center® service, 800.626.2000.



Profile™

JV966D – GE Profile™ 36" Designer Hood



Features and Benefits

- 36" Cooktop
- 590 CFM Rating
- 4-Speed Fan Control
- Dual Halogen Lighting (Off/High/Night)
- Dishwasher Safe Filter Cleaning
- Hidden Controls
- 7 Sones Rating
- 7" Round Duct Size (Vertical Only)
- Model JV966DSS – Stainless steel