

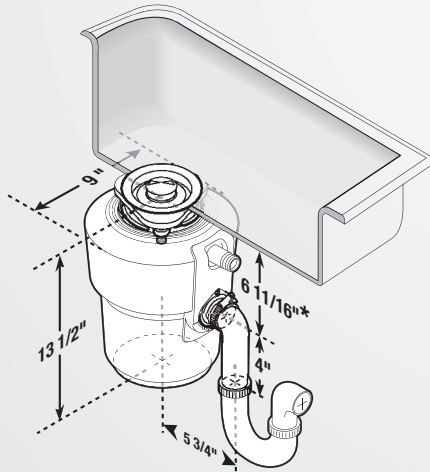
in sink erator®

# Evolution Series®

Grind More. Hear Less.®

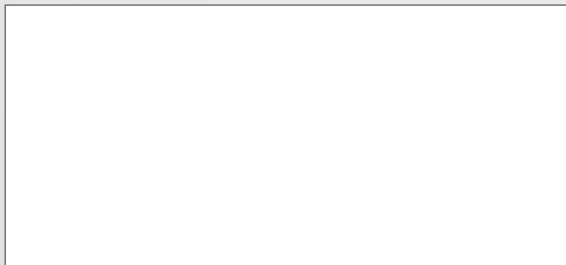


## Dimensions



\* Add 1/2" when stainless steel sinks are used.

## Job Specifications



## Food Waste Disposers

# Evolution Excel®

For those who enjoy the very best kitchen appliances.

## Submittal Sheet

The ultimate in disposer performance. Nothing grinds more with less noise.

- **SoundSeal Plus™** technology reduces disposer noise by at least 60% vs. standard disposers.
- **MultiGrind Plus™** technology delivers 3 stages of grind vs. 1 stage in standard disposer.
- Features exclusive **Jam-Sensor®** Circuit that increases motor torque 500% to automatically break through the toughest jams.
- Includes **Quiet Collar®** sound reducing sink baffle.

## Sample Specification

Food Waste Disposer(s) shall be InSinkErator Model Evolution Excel® with MultiGrind Plus™ and SoundSeal Plus™ technologies, 1.0 HP motor, Auto-Reverse Grind System®, Stainless Steel Grind Chamber and components.

### Warranty:

7-Year parts and in-home service.

\* The complete InSinkErator warranty is included in the Care & Use Booklet packed with each unit.

## Specifications

Type of Feed	Continuous
On/Off Control	Wall Switch
Motor	Single Phase
HP	1.0
Volts	120
Reversing	Auto-Reverse Grind System™ feature
HZ	60
RPM	1725
Amp. (Avg. Load)	10.2
Time Rating	Intermittent
Lubrication	Permanently Lubricated Upper & Lower Bearings
Shipping Weight (Approx.)	25.5 lbs.
Unit Finish	Stainless Steel Light Gray TEN-1706
Overall Height	13-1/2"
SoundSeal Plus Technology	Anti-Vibration Mount® Anti-Vibration Tailpipe Mount™ Quiet Collar® Sink Baffle Multi-Layer SoundLimiter™ Insulation
MultiGrind Plus Technology	GrindShear Ring® Tri-Action Lug™ System feature Undercutter Disk® Jam-Sensor® Circuit
Grind Chamber Capacity	40 oz.
Motor Protection	Manual Reset Overload
Average Water Usage	Approx. 1 Gallon Per Person Per Day
Average Electrical Usage	3-4 KWH Per Year
Drain Connection	1-1/2" Anti-Vibration (Hose Clamp)
Dishwasher Drain Connection	Yes



Food waste disposers provide an environmentally responsible alternative to transporting food waste to landfills. And they can help reduce greenhouse gas emissions. At capable wastewater treatment plants, food waste can be converted to biosolids and used as fertilizer. Capable plants can also capture methane gas and recycle it as an energy source. (Check the plant in your area.)



The mark of responsible forestry  
BV-COC-080715  
© 1996 Forest Stewardship Council A.C.



**EMERSON**  
Appliance Solutions

The Emerson logo is a trademark and service mark of Emerson Electric Co. The mounting collar configuration is a trademark of Emerson Electric Co.

InSinkErator may make improvements and/or changes in the specifications at any time, in its sole discretion, without notice or obligation and further reserves the right to change or discontinue models.

1-800-558-5700  
www.insinkerator.com