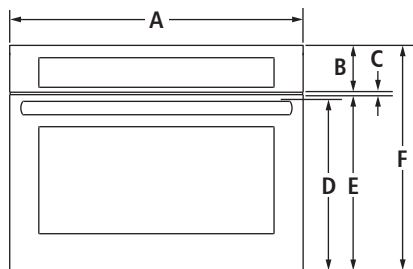


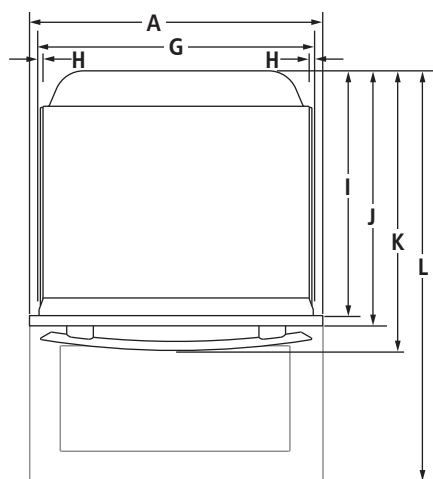
24" STEAM AND CONVECTION WALL OVEN

JBS7524BS – 23½" x 18" x 22¼"

PRODUCT DIMENSIONS



FRONT VIEW



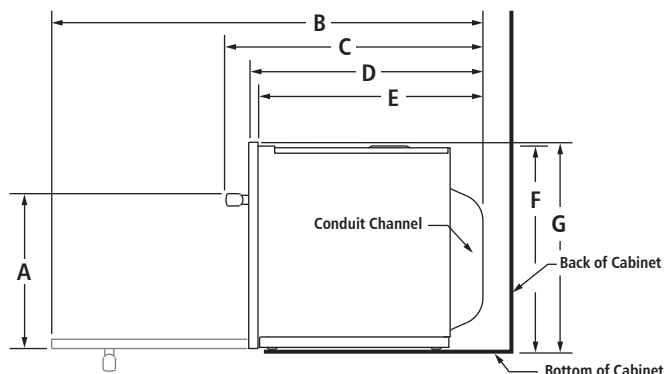
TOP VIEW

MODEL #		JBS7524BS	
		in	cm
<b>A</b>	Overall width	23½	59.5
<b>B</b>	Height of control panel	¾	9.5
<b>C</b>	Space between control panel and door	⅜	0.4
<b>D</b>	Height to top of handle	13½	34.2
<b>E</b>	Height of door	14⅞	35.6
<b>F</b>	Overall height	18	45.5
<b>G</b>	Width of recessed oven	21⅞	55.5
<b>H</b>	Width of conduit channel	1⅙	2.7
<b>I</b>	Depth of recessed oven	19⅞	49.7
<b>J</b>	Depth with door	20⅜	51.7
<b>K</b>	Depth with handle	22¼	56.5
<b>L</b>	Depth with door fully open	33⅞	86.0

24" STEAM AND CONVECTION WALL OVEN

JBS7524BS – 23½" x 18" x 22¼"

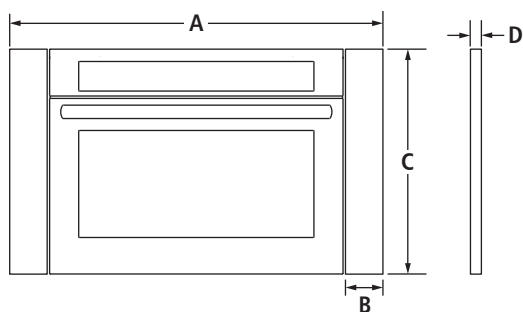
DIMENSIONS AS INSTALLED



SIDE VIEW

MODEL #		JBS7524BS	
		in	cm
<b>A</b>	Height to top of handle	13½	34.2
<b>B</b>	Depth with door fully open	33⅞	86.0
<b>C</b>	Depth with handle	22¼	56.5
<b>D</b>	Depth with door	20⅜	51.7
<b>E</b>	Depth of recessed oven	19⅝	49.7
<b>F</b>	Height of recessed oven	17⅞	44.7
<b>G</b>	Overall height	18	45.5

TRIM KIT DIMENSIONS

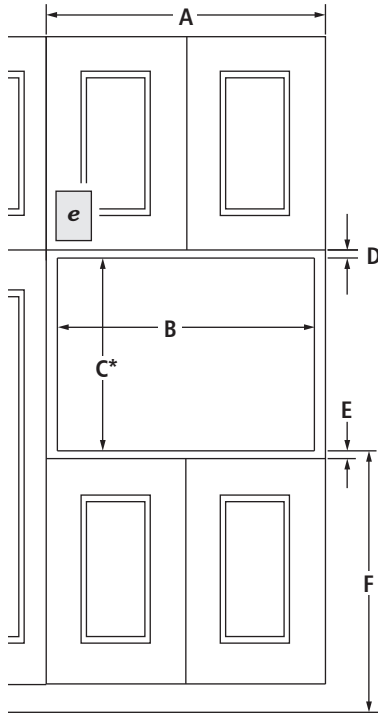


		30"		27"	
		in	cm	in	cm
<b>A</b>	Overall width	29¾	75.6	26⅞	68.2
<b>B</b>	Width of frame	3	7.6	1½	3.8
<b>C</b>	Overall height	18	45.5	18	45.5
<b>D</b>	Depth of frame	⅞	2.1	⅞	2.1

24" STEAM AND CONVECTION WALL OVEN

JBS7524BS – 23½" x 18" x 22¼"

OPENING/CLEARANCE DIMENSIONS



FRONT VIEW

MODEL #		JBS7524BS	
		in	cm
<b>A</b>	Width of cabinet (min.)	23 <sup>5</sup> / <sub>8</sub>	60.0
<b>B</b>	Width of cutout	21 <sup>7</sup> / <sub>8</sub>	55.6
<b>C*</b>	Height of cutout (recommended)	17 <sup>3</sup> / <sub>4</sub>	45.0
<b>D</b>	Top of cutout to bottom of upper cabinet door or counter (min.)	½	1.2
<b>E</b>	Bottom of cutout to top of lower cabinet door/drawer (min.)	½	1.2
<b>F</b>	Bottom of cutout to floor	23 <sup>5</sup> / <sub>8</sub> - 51 <sup>1</sup> / <sub>4</sub>	60.0- 130.0
<b>G</b>	Depth of cutout (min.)	21 <sup>3</sup> / <sub>4</sub>	55.0
<b>e</b>	Recommended junction box location		

\*Will fit cutout height from 17¾" (45.0 cm) to 17⅞" (45.4 cm).

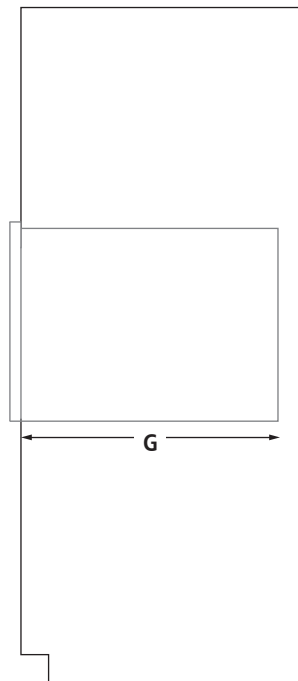
**ELECTRICAL REQUIREMENTS**

A 120 Volt, 60 Hz, AC only 15- or 20- amp fused, grounded electrical circuit is required. A time-delayed fuse or dedicated circuit is recommended.

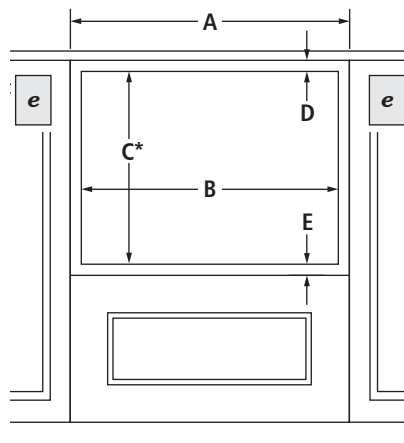
A grounded 3-prong outlet should be located in the upper cabinet. Do not use an extension cord.

**CABINET REQUIREMENTS**

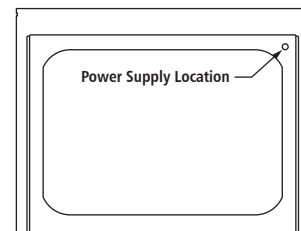
Support structure must be able to support 99.2 lb (45 kg) including steam oven and contents.



SIDE VIEW



UNDER COUNTER INSTALLATION  
(without cooktop installed above)



BACK VIEW