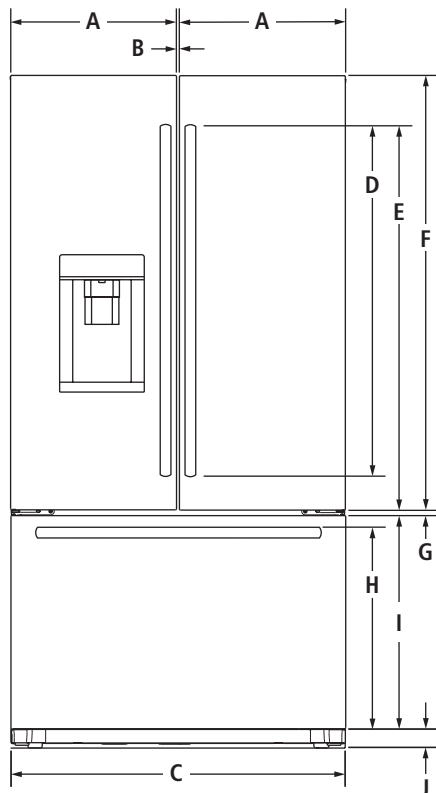


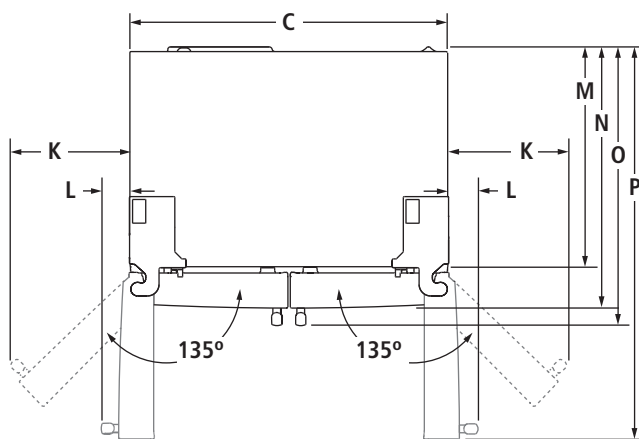
72" COUNTER-DEPTH FRENCH DOOR REFRIGERATORS WITH EXTERNAL DISPENSER

JFFCC72EF – 35³/₄" x 71¹⁵/₁₆" x 31¹/₄" (with handles)

PRODUCT DIMENSIONS



FRONT VIEW



TOP VIEW

MODEL #		JFFCC72EF	
		in	cm
A	Width of each door	17 ¹ / ₁₆	45.0
B	Space between doors	³ / ₈	0.9
C	Overall width	35 ³ / ₄	90.5
D	Height of door handles Pro-Style® Stainless	33 ³ / ₁₆	84.3
		Euro-Style Stainless	37 ³ / ₄
E	Height to top of door handles Pro-Style® Stainless	38 ¹⁵ / ₁₆	99.0
		Euro-Style Stainless	41 ³ / ₁₆
F	Height of doors	46 ¹ / ₂	118.2
G	Space between doors and drawer	¹ / ₂	1.2
H	Height to top of drawer handle Pro-Style® Stainless	21 ³ / ₄	55.3
		Euro-Style Stainless	21 ⁹ / ₁₆
I	Height of drawer	23	58.4
J	Height of grille	1 ¹ / ₂	3.9
K	Width from side of refrigerator to handle – door fully open 135° Pro-Style® Stainless	13 ⁷ / ₈	35.2
		Euro-Style Stainless	13 ¹ / ₂
L	Width from side of refrigerator to handle – door open 90° Pro-Style® Stainless	3 ¹⁵ / ₁₆	10.0
		Euro-Style Stainless	³ / ₈
M	Depth without doors	24 ⁵ / ₈	62.6
N	Depth with doors	29 ⁵ / ₁₆	74.4
O	Depth with handles Pro-Style® Stainless	31 ¹⁵ / ₁₆	81.1
		Euro-Style Stainless	31 ¹ / ₄
P	Depth with doors open 90°	44	111.7

IMPORTANT: Dimensional specifications are provided for planning purposes only.

Do not make any cutouts based on this information. Refer to the Installation Guide *before* selecting cabinetry, verifying electrical/gas connections, making cutouts or beginning installation.

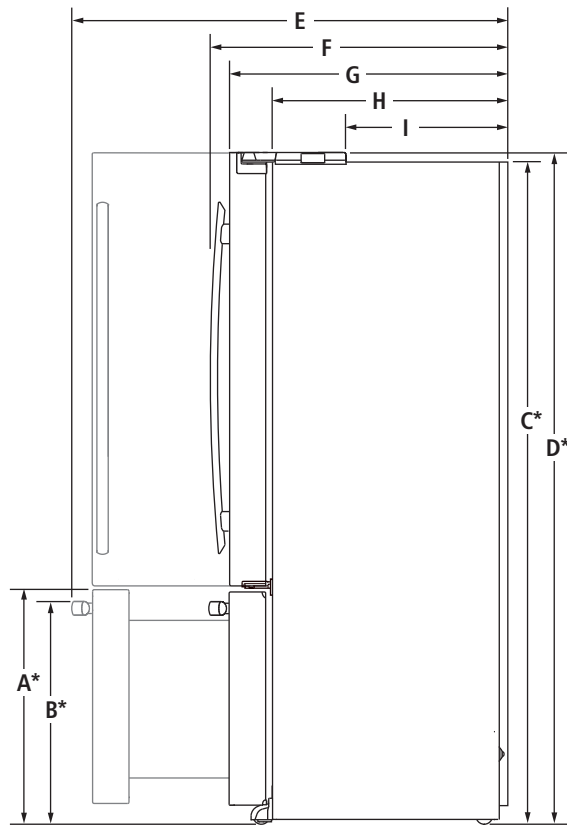
All Jenn-Air® appliances are appropriately UL, CUL or CSA approved.



72" COUNTER-DEPTH FRENCH DOOR REFRIGERATORS WITH EXTERNAL DISPENSER

JFFCC72EF – 35³/₄" x 71¹⁵/₁₆" x 31¹/₄" (with handles)

DIMENSIONS AS INSTALLED



SIDE VIEW

MODEL #		JFFCC72EF	
		in	cm
A*	Height to top of drawer (min.)	24 ¹⁵ / ₁₆	63.3
B*	Height to top of drawer handle (min.)		
	Pro-Style® Stainless	23 ¹¹ / ₁₆	60.2
	Euro-Style Stainless	23 ⁹ / ₁₆	59.8
C*	Height of recessed refrigerator (min.)	70 ¹⁵ / ₁₆	180.1
D*	Height to top of hinges (min.)	71 ¹⁵ / ₁₆	182.7
E	Depth with drawer fully open including drawer handle (min.)		
	Pro-Style® Stainless	46 ⁷ / ₁₆	117.9
	Euro-Style Stainless	45 ¹⁵ / ₁₆	116.7
F	Depth with handles (min.)		
	Pro-Style® Stainless	31 ¹⁵ / ₁₆	81.1
	Euro-Style Stainless	31 ¹ / ₄	79.4
G	Depth with doors (min.)	29 ⁵ / ₁₆	74.4
H	Depth without doors (min.)	24 ⁵ / ₈	62.6
I	Depth to back of hinges (min.)	16 ³ / ₄	42.6

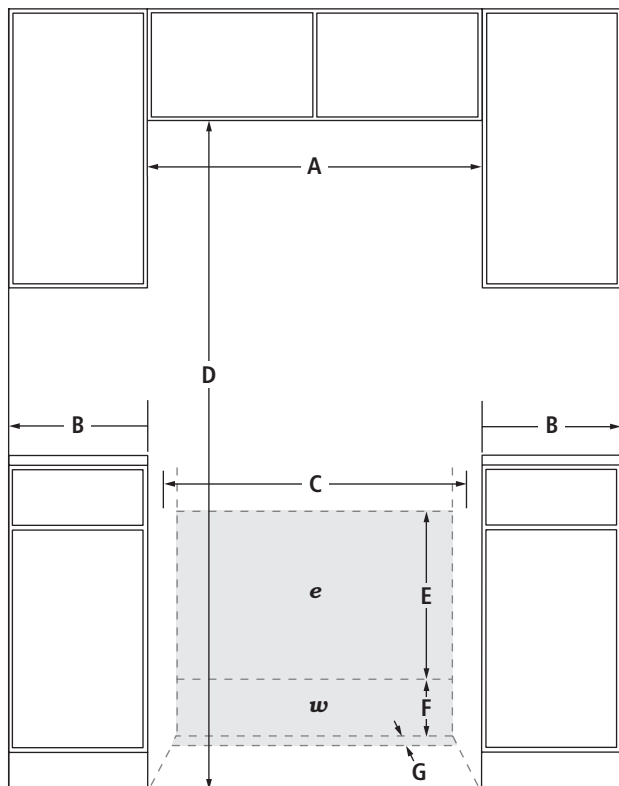
*Add 3/4" (1.9 cm) to the height dimension when leveling legs are fully extended.

IMPORTANT: Dimensional specifications are provided for planning purposes only. Do not make any cutouts based on this information. Refer to the Installation Guide before selecting cabinetry, verifying electrical/gas connections, making cutouts or beginning installation. All Jenn-Air® appliances are appropriately UL, CUL or CSA approved.

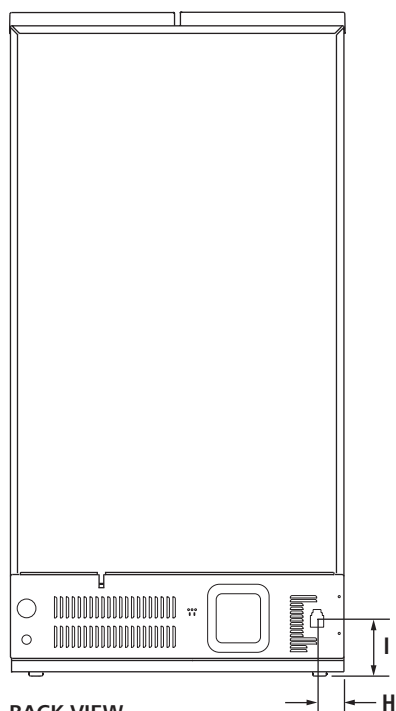
72" COUNTER-DEPTH FRENCH DOOR REFRIGERATORS WITH EXTERNAL DISPENSER

JFFCC72EF – 35¾" x 71¹⁵/₁₆" x 31¹/₄" (with handles)

OPENING/CLEARANCE DIMENSIONS



FRONT VIEW



BACK VIEW

MODEL #		JFFCC72EF	
		in	cm
A	Width (min.)	36¾	93.3
B	Minimum width from side of refrigerator to fixed wall – door open 90° (full access to remove bins)	¾	9.5
	Minimum width from side of refrigerator to fixed wall – door open approx. 135°	12	30.5
C	Width of recommended electrical/ water installation area	35½	90.2
D	Height (min.)	72 ⁷ / ₁₆	184.0
E	Height of recommended electrical installation area (min.-max.)	24-36	61.0-91.4
F	Height of recommended water installation area	12	30.5
G	Depth of recommended water installation area	1	2.5
H	Water line location – distance from side	2½	6.4
I	Water line location – distance from bottom	7	17.8
e	Recommended electrical connection location		
w	Recommended water connection location		

ELECTRICAL REQUIREMENTS

115 volt, 60 Hz, AC only, 15- or 20-amp fused, grounded circuit is required. A dedicated circuit is recommended. Use an outlet that cannot be turned off by a switch.

Minimum length of power cord is 60" (152.0 cm). Do not use an extension cord.

WATER PRESSURE REQUIREMENTS

A cold water supply with water pressure between 30 and 120 psi (207 and 827 kPa) is required to operate the water dispenser and ice maker. Call a licensed, qualified plumber with any questions about the water pressure.

Reverse Osmosis Water Supply

IMPORTANT: The pressure of the water coming out of a reverse osmosis system going to the water inlet valve of the refrigerator needs to be between 30 and 120 psi (207 and 827 kPa).

If a reverse osmosis water filtration system is connected to the cold water supply, the water pressure to the reverse osmosis system needs to be a minimum of 40 to 60 psi (276 to 414 kPa).

IMPORTANT: Dimensional specifications are provided for planning purposes only. Do not make any cutouts based on this information. Refer to the Installation Guide before selecting cabinetry, verifying electrical/gas connections, making cutouts or beginning installation. All Jenn-Air® appliances are appropriately UL, CUL or CSA approved.