



MICROWAVE OVEN WITH CONVECTION

Use & Care Guide

For questions about features, operation/performance, parts, accessories or service, call: **1-800-422-1230**,
or visit our website at **www.kitchenaid.com**.

In Canada, for assistance, installation and service, call: **1-800-807-6777**
or visit our website at **www.kitchenaid.ca**.

FOUR À MICRO-ONDES AVEC CONVECTION

Guide d'utilisation et d'entretien

Pour des questions concernant les caractéristiques, le fonctionnement, la performance, les pièces, accessoires
ou pour une intervention de dépannage, composer le **1-800-422-1230** ou consulter **www.kitchenaid.com**.

Au Canada, pour assistance, installation ou service composez le **1-800-807-6777**
ou visitez notre site web à **www.kitchenaid.ca**.

Table of Contents/Table des matières 2



TABLE OF CONTENTS

MICROWAVE OVEN SAFETY	3
INSTALLATION INSTRUCTIONS	5
Unpacking	5
Location Requirements	5
Electrical Requirements	5
PARTS AND FEATURES	6
Turntable.....	6
Grill Element	6
Convection Element and Fan.....	6
Grill and Convection Racks	6
MICROWAVE OVEN CONTROL	7
Display	7
Start	7
Add 30 Seconds.....	7
Stop Cancel.....	7
Tones	7
Clock	8
Timer.....	8
Language.....	8
Weight Entry Mode.....	8
Control Lock.....	8
MICROWAVE OVEN USE	8
Food Characteristics	8
Cooking Guidelines	9
Cookware and Dinnerware.....	9
Aluminum Foil and Metal	9
Microwave Cooking Power	10
Manual Cooking	10
Cooking in Stages.....	10
Sensor Cooking.....	10
Menu (sensor and non-sensor).....	11
Grill	12
Convection	12
Convection Temperature Indicator	12
Convection Roast.....	12
Convection Bake.....	13
Defrost	13
MICROWAVE OVEN CARE	14
General Cleaning.....	14
TROUBLESHOOTING	15
ASSISTANCE OR SERVICE	16
In the U.S.A.	16
In Canada	16
Replacement Parts.....	16
Built-In Kits	16
WARRANTY	17

TABLE DES MATIÈRES

SÉCURITÉ DU FOUR À MICRO-ONDES	18
INSTRUCTIONS D'INSTALLATION	20
Déballage	20
Exigences d'emplacement.....	20
Spécifications électriques	20
PIÈCES ET CARACTÉRISTIQUES	21
Plateau rotatif	21
Élément du gril	21
Élément de cuisson par convection et ventilateur.....	21
Grilles de cuisson au gril et par convection.....	21
TABLEAU DE COMMANDE DU FOUR À MICRO-ONDES	22
Affichage	22
Mise en marche.....	22
Ajouter 30 secondes	22
Arrêter annuler.....	22
Signaux sonores.....	23
Horloge.....	23
Minuterie.....	23
Langue.....	23
Mode d'entrée du poids.....	23
Verrouillage des commandes.....	23
UTILISATION DU FOUR À MICRO-ONDES	24
Caractéristiques des aliments.....	24
Guide de cuisson	24
Ustensiles de cuisson et vaisselle	25
Papier d'aluminium et métal	25
Puissance de cuisson des micro-ondes.....	25
Cuisson manuelle.....	26
Cuisson par étapes	26
Cuisson par détection.....	26
Menu (avec/sans détection).....	27
Cuisson au gril.....	28
Convection	28
Indicateur de la température de convection.....	28
Rôtissage par convection	29
Cuisson au four par convection.....	29
Décongélation	30
ENTRETIEN DU FOUR À MICRO-ONDES	31
Nettoyage général	31
DÉPANNAGE	32
ASSISTANCE OU SERVICE	33
Aux É.-U	33
Au Canada.....	33
Pièces de rechange.....	34
Trousses pour fours encastrés.....	34
GARANTIE	35

MICROWAVE OVEN SAFETY

Your safety and the safety of others are very important.

We have provided many important safety messages in this manual and on your appliance. Always read and obey all safety messages.



This is the safety alert symbol.

This symbol alerts you to potential hazards that can kill or hurt you and others.

All safety messages will follow the safety alert symbol and either the word "DANGER" or "WARNING."

These words mean:

⚠ DANGER

You can be killed or seriously injured if you don't immediately follow instructions.

⚠ WARNING

You can be killed or seriously injured if you don't follow instructions.

All safety messages will tell you what the potential hazard is, tell you how to reduce the chance of injury, and tell you what can happen if the instructions are not followed.

IMPORTANT SAFETY INSTRUCTIONS

When using electrical appliances basic safety precautions should be followed, including the following:

WARNING: To reduce the risk of burns, electric shock, fire, injury to persons, or exposure to excessive microwave energy:

- Read all instructions before using the microwave oven.
- Read and follow the specific "PRECAUTIONS TO AVOID POSSIBLE EXPOSURE TO EXCESSIVE MICROWAVE ENERGY" found in this section.
- The microwave oven must be grounded. Connect only to properly grounded outlet. See "GROUNDING INSTRUCTIONS" found in the "INSTALLATION INSTRUCTIONS" section.
- Install or locate the microwave oven only in accordance with the provided Installation Instructions.
- Some products such as whole eggs in the shell and sealed containers - for example, closed glass jars - are able to explode and should not be heated in the microwave oven.
- Use the microwave oven only for its intended use as described in the manual. Do not use corrosive chemicals or vapors in the microwave oven. This type of oven is specifically designed to heat, cook, or dry food. It is not designed for industrial or laboratory use.
- As with any appliance, close supervision is necessary when used by children.
- Do not operate the microwave oven if it has a damaged cord or plug, if it is not working properly, or if it has been damaged or dropped.
- The microwave oven should be serviced only by qualified service personnel. Call an authorized service company for examination, repair, or adjustment.
- Do not cover or block any openings on the microwave oven.
- Do not store this microwave oven outdoors. Do not use the microwave oven near water - for example, near a kitchen sink, in a wet basement, near a swimming pool, or similar locations.
- Do not immerse cord or plug in water.
- Keep cord away from heated surfaces.
- Do not let cord hang over edge of table or counter.
- See door surface cleaning instructions in the "Microwave Oven Care" section.
- To reduce the risk of fire in the oven cavity:
 - Do not overcook food. Carefully attend the microwave oven when paper, plastic, or other combustible materials are placed inside the oven to facilitate cooking.
 - Remove wire twist-ties from paper or plastic bags before placing bags in oven.
 - If materials inside the oven ignite, keep oven door closed, turn oven off, and disconnect the power cord, or shut off power at the fuse or circuit breaker panel.
 - Do not use the cavity for storage purposes. Do not leave paper products, cooking utensils, or food in the cavity when not in use.

SAVE THESE INSTRUCTIONS

IMPORTANT SAFETY INSTRUCTIONS

- Liquids, such as water, coffee, or tea are able to be overheated beyond the boiling point without appearing to be boiling. Visible bubbling or boiling when the container is removed from the microwave oven is not always present. THIS COULD RESULT IN VERY HOT LIQUIDS SUDDENLY BOILING OVER WHEN THE CONTAINER IS DISTURBED OR A SPOON OR OTHER UTENSIL IS INSERTED INTO THE LIQUID.

To reduce the risk of injury to persons:

- Do not overheat the liquid.
- Stir the liquid both before and halfway through heating it.
- Do not use straight-sided containers with narrow necks.
- After heating, allow the container to stand in the microwave oven for a short time before removing the container.
- Use extreme care when inserting a spoon or other utensil into the container.

- Do not mount over a sink.
- Do not store anything directly on top of the microwave oven when the microwave oven is in operation.
- Oversized foods or oversized metal utensils should not be inserted in the microwave oven as they may create a fire or risk of electric shock.
- Do not clean with metal scouring pads. Pieces can burn off the pad and touch electrical parts involving a risk of electric shock.
- Do not use paper products when appliance is operated in convection, combination, grill or "PAN BROWN" mode.
- Do not store any materials, other than manufacturer's recommended accessories, in this microwave oven when not in use.
- Do not cover racks or any other part of the microwave oven with metal foil. This will cause overheating of the microwave oven.

SAVE THESE INSTRUCTIONS

PRECAUTIONS TO AVOID POSSIBLE EXPOSURE TO EXCESSIVE MICROWAVE ENERGY

- (a) Do not attempt to operate this oven with the door open since open-door operation can result in harmful exposure to microwave energy. It is important not to defeat or tamper with the safety interlocks.
- (b) Do not place any object between the oven front face and the door or allow soil or cleaner residue to accumulate on sealing surfaces.
- (c) Do not operate the oven if it is damaged. It is particularly important that the oven door close properly and that there is no damage to the:
 - (1) Door (bent),
 - (2) Hinges and latches (broken or loosened),
 - (3) Door seals and sealing surfaces.
- (d) The oven should not be adjusted or repaired by anyone except properly qualified service personnel.

State of California Proposition 65 Warnings:

WARNING: This product contains one or more chemicals known to the State of California to cause cancer.

WARNING: This product contains one or more chemicals known to the State of California to cause birth defects or other reproductive harm.

This device complies with Part 18 of the FCC Rules.
This device complies with Industry Canada ICES-001.

INSTALLATION INSTRUCTIONS

Unpacking

1. Empty the microwave oven of any packing materials.
2. Clean the inside with a soft, damp cloth.
3. Check for damage, such as:
 - a door that is not lined up correctly,
 - damage around the door, or
 - dents on the interior or exterior of the microwave oven.If there is any damage, do not operate the microwave oven until a designated service technician has checked it and made any needed repairs.

NOTE: To avoid damage to the microwave oven, do not remove microwave inlet cover. See the “Parts and Features” section.

Location Requirements

! WARNING

Excessive Weight Hazard

Use two or more people to move and install microwave oven.

Failure to do so can result in back or other injury.

IMPORTANT: The control side of the microwave oven is the heavy side. Handle the microwave oven gently. The weight of the microwave oven is over 35 lbs (15.9 kg).

- Place the microwave oven on a cart, counter, table, or shelf that is strong enough to hold the microwave oven and the food and utensils you place inside it.
- The microwave oven should be at a temperature above 50°F (10°C) for proper operation.

NOTE: Some models can be built into a wall or cabinet by using one of the trim kits listed in the “Assistance or Service” section.

- Do not block the exhaust vents or air intake openings. Allow a few inches of space at the back and side of the microwave oven where the exhaust vents are located. Blocking the exhaust vents could cause damage to the microwave oven as well as poor cooking results.
- Make sure the microwave oven legs are in place to ensure proper airflow. If vents are blocked, a sensitive thermal device may automatically turn the microwave oven off. The microwave oven should work properly once it has cooled.

Electrical Requirements

! WARNING



Electrical Shock Hazard

Plug into a grounded 3 prong outlet.

Do not remove ground prong.

Do not use an adapter.

Do not use an extension cord.

Failure to follow these instructions can result in death, fire, or electrical shock.

Observe all governing codes and ordinances.

Required:

- A 120-volt, 60 Hz, AC-only, 15- or 20-amp electrical supply with a fuse or circuit breaker.

Recommended:

- A time-delay fuse or time-delay circuit breaker
- A separate circuit serving only this microwave oven

GROUNDING INSTRUCTIONS

■ For all cord connected appliances:

The microwave oven must be grounded. In the event of an electrical short circuit, grounding reduces the risk of electric shock by providing an escape wire for the electric current. The microwave oven is equipped with a cord having a grounding wire with a grounding plug. The plug must be plugged into an outlet that is properly installed and grounded.

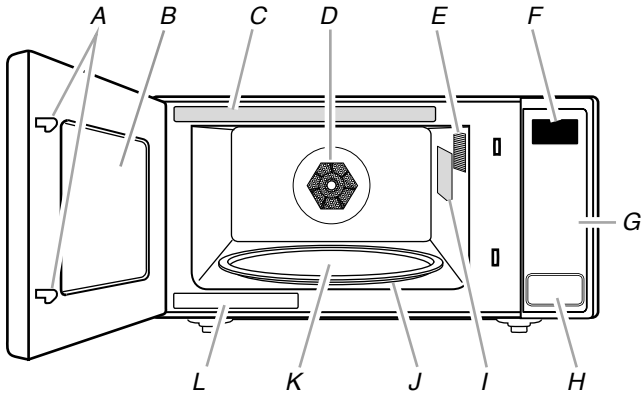
WARNING: Improper use of the grounding plug can result in a risk of electric shock. Consult a qualified electrician or serviceman if the grounding instructions are not completely understood, or if doubt exists as to whether the microwave oven is properly grounded.

Do not use an extension cord. If the power supply cord is too short, have a qualified electrician or serviceman install an outlet near the microwave oven. A short power supply cord is provided to reduce the risks resulting from becoming entangled in or tripping over a longer cord.

SAVE THESE INSTRUCTIONS

PARTS AND FEATURES

This manual may cover several different models. The model you have purchased may have some or all of the features shown here. The appearance of your particular model may differ slightly from the illustrations in this manual.



- A. Door lock system
- B. Window
- C. Cooking guide label
- D. Convection element and fan
- E. Microwave oven light
- F. Display
- G. Control panel
- H. Door open push button
- I. Microwave inlet cover
- J. Removable turntable support
- K. Glass turntable
- L. Model and serial number plate

Parts and Features Not Shown:
Grill element (on cavity ceiling)

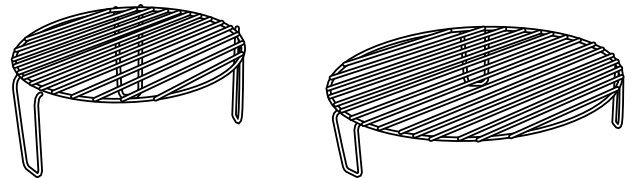
Grill Element

The microwave oven uses a calrod thermal element for grilling. The microwave oven cavity and door will become hot. The use of oven mitts is recommended.

Convection Element and Fan

The microwave oven's convection system is composed of a convection element which heats in conjunction with the convection fan for true convection cooking. The convection system is embedded in the wall of the microwave oven cavity, behind the screen. See the "Parts and Features" section. The microwave oven cavity and door will become hot. The use of oven mitts is recommended.

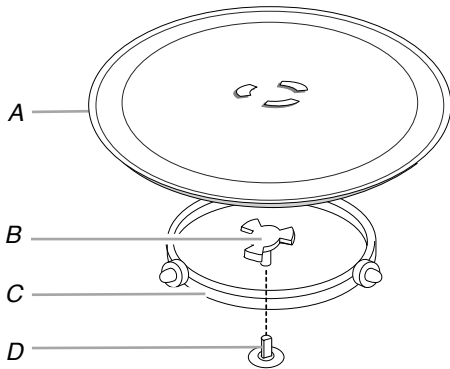
Grill and Convection Racks



The tall grill rack is designed for grilling in the microwave oven. See the "Grill" section. Place the grill rack securely on a pan, the pan on the turntable, and position food on grill rack. See the "Assistance or Service" section to order replacement parts. See the "General Cleaning" section for cleaning instructions.

The short convection rack is designed to be used with the convection element and fan for true convection cooking. See the "Convection Bake" and "Convection Roast" sections. Place the convection rack on the turntable and position dish with food on the rack. If food is placed directly on the rack, a pan may be placed under the rack to catch drippings. See the "Assistance or Service" section to order replacement parts. See the "General Cleaning" section for cleaning instructions.

Turntable



- A. Turntable
- B. Hub
- C. Support
- D. Shaft

The turntable can rotate in either direction to help cook food more evenly. For best cooking results, do not operate the microwave oven without having the turntable in place. See the "Assistance or Service" section to reorder any of the parts.

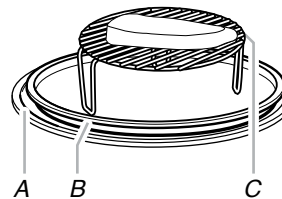
To Install:

1. Place the support on the microwave oven cavity bottom.
2. Place the turntable on the support.

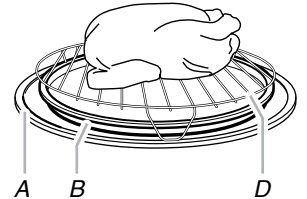
Fit the raised, curved wedges in the center of the turntable bottom between the 3 spokes of the hub. The rollers on the support should fit inside the turntable bottom ridge.

Accessory Configurations

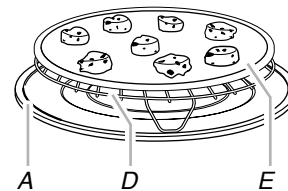
Grilling



Roasting

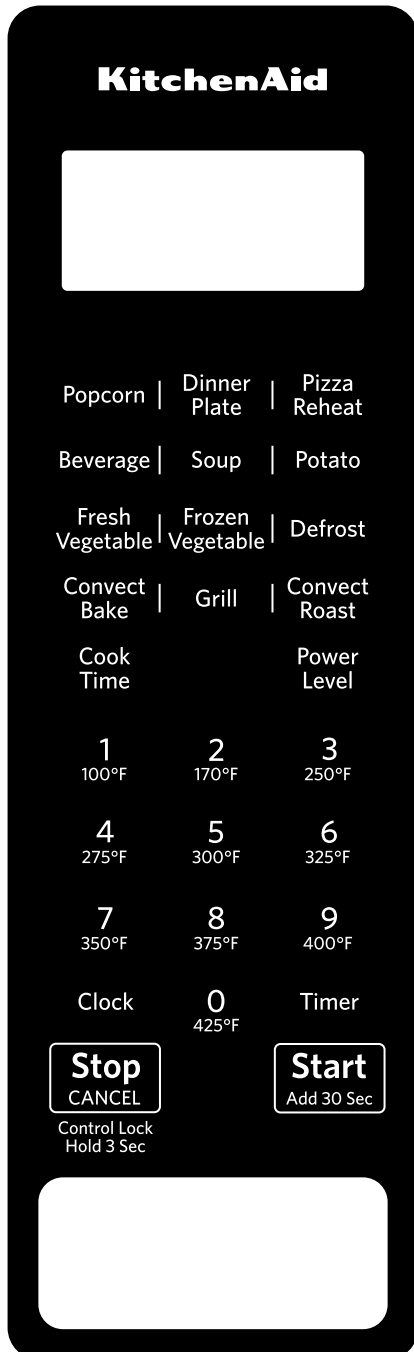


Baking



- A. Turntable
- B. Pan (not provided)
- C. Grill rack
- D. Convection rack
- E. Cookie sheet (not provided)

MICROWAVE OVEN CONTROL



Display

When power is first supplied to the microwave oven, “0:00” will appear in the display. If the “0:00” appears in the display at any other time, a power failure has occurred. Reset the clock if needed. See the “Clock” section.

When the microwave oven is in use, the display will show cook time remaining. When the microwave oven is not in use, the display will show the time of day (if the clock is set) or Timer countdown (if the Timer is set).

Start

The Start keypad begins any function. If non-sensor cooking is interrupted by opening the door, touching START will resume the cycle.

NOTE: To avoid unintentional operation of the microwave oven, a cooking function cannot be started if the microwave oven door has been closed for about 5 minutes. The word “door” will appear in the display until the door is opened and closed.

Add 30 Seconds

The Start Add 30 Sec keypad automatically starts the microwave oven at 100% power for 30 seconds and it adds 30 seconds of cook time with each additional touch of the keypad.

Time may be added to any manual cooking cycle in 30-second increments, at the current power level, by touching START ADD 30 SEC during cooking.

NOTE: To avoid unintentional operation of the microwave oven, a cooking function cannot be started if the microwave oven door has been closed for about 5 minutes. The word “door” will appear in the display until the door is opened and closed.

Stop Cancel

The Stop Cancel keypad clears any incorrect command and cancels any program during cooking. It will not erase the time of day.

The microwave oven will also turn off when the door is opened. Close the door and touch START to resume the cycle.

The Stop Cancel keypad is also used to lock and unlock the control panel. See the “Control Lock” section.

Tones

Tones are audible signals that may be turned off.

To Turn Off/On End-of-Cycle, End-of-Timer and Reminder Tones: With the microwave oven door open, touch and hold the number “3” keypad for about 3 seconds, until a tone sounds.

To Turn Off/On All Tones: With the microwave oven door open, touch and hold the number “2” keypad for about 3 seconds.

These tones indicate the following:

One tone

- Valid entry
- Control Lock activated or deactivated
- End of stage in multistage cooking

Two tones

- End of Convection Bake preheat

Three tones

- End of Timer countdown

Five tones

- End of cooking cycle
- Reminder, repeating each minute after the end-of-cycle and end-of-Timer tones

Clock

This is a standard 12-hour clock (1:00-12:59). The Clock cannot be erased. If the Clock is not set, "0:00" will remain in the display when the microwave oven is not in use.

To Set:

The microwave oven and Timer must be OFF.

1. Touch CLOCK.
 2. Touch the number keypads to enter the correct time of day.
 3. Touch CLOCK.
-

Timer

The Timer can be set in minutes and seconds, up to 99 minutes 99 seconds, and counts down the set time.

NOTE: The Timer does not start or stop the microwave oven.

Cook functions may be used while the Timer is counting down. When the cook function is active in the display, touch TIMER to see the Timer countdown for about 5 seconds.

To Set:

1. Touch TIMER.
 2. Touch the number keypads to enter desired time.
 3. Touch START.
When the set time ends, "End" will appear in the display and the end-of-Timer tones will sound.
 4. Touch STOP CANCEL while the Timer is active in the display to cancel the Timer.
-

Language

The default display language is English, but it may be set to French. Two display messages are affected: "End" (English) or "Fin" (French) and "door" (English) or "PrtE" ("porte" - French).

To Set Language to French: With the microwave oven door open, touch and hold the number "1" keypad for about 3 seconds, until a tone sounds. Repeat to change back to English. The language remains set after a power failure.

Weight Entry Mode

The default weight entry mode for Defrost is imperial (pounds) but may be set to metric (grams). This setting does not affect any other program besides Defrost. See the "Defrost" section.

To Set Weight Entry to Metric: With the microwave oven door open, touch and hold the number "0" keypad for about 3 seconds, until a tone sounds. Repeat to change back to imperial. The mode remains set after a power failure.

Control Lock

The Control Lock disables the control panel keypads to avoid unintended use of the microwave oven.

To Lock/Unlock Control: The microwave oven must be OFF. Touch and hold STOP CANCEL for about 3 seconds, until the tone sounds and the Control Lock icon appears in the display. Repeat to unlock.

If any keypad is touched while the control is locked, there will be no response from the control.

MICROWAVE OVEN USE

A magnetron in the microwave oven produces microwaves which reflect off the metal floor, walls, and ceiling and pass through the turntable and appropriate cookware to the food. Microwaves are attracted to and absorbed by fat, sugar, and water molecules in the food, causing them to move, producing friction and heat which cooks the food.

- To avoid damage to the microwave oven, do not lean on or allow children to swing on the microwave oven door.
- To avoid damage to the microwave oven, do not operate microwave oven when it is empty.
- Baby bottles and baby food jars should not be heated in microwave oven.
- Clothes, flowers, fruit, herbs, wood, gourds, and paper, including brown paper bags and newspaper, should not be dried in the microwave oven.
- Paraffin wax will not melt in the microwave oven because it does not absorb microwaves.
- Use oven mitts or pot holders when removing containers from microwave oven.
- Do not overcook potatoes. At the end of the recommended cook time, potatoes should be slightly firm. Let potatoes stand for 5 minutes. They will finish cooking while standing.
- Do not cook or reheat whole eggs inside the shell. Steam buildup in whole eggs may cause them to burst, requiring significant cleanup of microwave oven cavity. Cover poached eggs and allow a standing time.

Food Characteristics

When microwave cooking, the amount, size and shape, starting temperature, composition, and density of the food affect cooking results.

Amount of Food

The more food heated at once, the longer the cook time needed. Check for doneness and add small increments of time if necessary.

Size and Shape

Smaller pieces of food will cook more quickly than larger pieces, and uniformly shaped foods cook more evenly than irregularly shaped food.

Starting Temperature

Room temperature foods will heat faster than refrigerated foods, and refrigerated foods will heat faster than frozen foods.

Composition and Density

Foods high in fat and sugar will reach a higher temperature and will heat faster than other foods. Heavy, dense foods, such as meat and potatoes, require a longer cook time than the same size of a light, porous food, such as cake.

Cooking Guidelines

Covering

Covering food helps retain moisture, shorten cook time, and reduce spattering. Use the lid supplied with cookware. If a lid is not available, wax paper, paper towels, or plastic wrap approved for microwave ovens may be used. Plastic wrap should be turned back at one corner to provide an opening to vent steam. Condensation on the door and cavity surfaces is normal during heavy cooking.

Stirring and Turning

Stirring and turning redistribute heat evenly to avoid overcooking the outer edges of food. Stir from outside to center. If possible, turn food over from bottom to top.

Arranging

If heating irregularly shaped or different-sized foods, arrange the thinner parts and smaller-sized items toward the center. If cooking several items of the same size and shape, place them in a ring pattern, leaving the center of the ring empty.

Piercing

Before heating, use a fork or small knife to pierce or prick foods that have a skin or membrane, such as potatoes, egg yolks, chicken livers, hot dogs, and sausage. Prick in several places to allow steam to vent.

Shielding

Use small, flat pieces of aluminum foil to shield the thin pieces of irregularly shaped foods, bones, and foods such as chicken wings, leg tips, and fish tails. See the "Aluminum Foil and Metal" section first.

Standing Time

Food will continue to cook by the natural conduction of heat, even after the microwave cooking cycle ends. The length of standing time depends on the volume and density of the food.

Cookware and Dinnerware

Cookware and dinnerware must fit on the turntable. Always use oven mitts or pot holders when handling because any dish may become hot from heat transferred from the food. Do not use cookware and dinnerware with gold or silver trim. Use the following chart as a guide, then test before using.

Material	Recommendations
Aluminum Foil, Metal	See the "Aluminum Foil and Metal" section.
Browning Dish	Bottom must be at least $\frac{3}{16}$ " (5 mm) above the turntable. Follow manufacturer's recommendations.
Ceramic Glass, Glass	Acceptable for use
China, Earthenware	Follow manufacturer's recommendations.
Melamine	Follow manufacturer's recommendations.
Paper: Towels, Dinnerware, Napkins	Use non-recycled and those approved by the manufacturer for microwave oven use.

Material	Recommendations
Plastic: Wraps, Bags, Covers, Dinnerware, Containers	Use those approved by the manufacturer for microwave oven use.
Pottery and Clay	Follow manufacturer's recommendations.
Silicone Bakeware	Follow manufacturer's recommendations.
Straw, Wicker, Wooden Containers	Do not use in microwave oven.
Wax Paper	Acceptable for use

To Test Cookware or Dinnerware for Microwave Use:

1. Place cookware or dinnerware in microwave oven with 1 cup (250 mL) of water beside it.
2. Cook at 100% cooking power for 1 minute.

Do not use cookware or dinnerware if it becomes hot and the water stays cool.

Aluminum Foil and Metal

Always use oven mitts or pot holders when removing dishes from the microwave oven.

Aluminum foil and some metal can be used in the microwave oven. If not used properly, arcing (a blue flash of light) can occur and cause damage to the microwave oven.

OK for Use

Racks and bakeware supplied with the microwave oven (on some models), aluminum foil for shielding, and approved meat thermometers may be used with the following guidelines:

- To avoid damage to the microwave oven, do not allow aluminum foil or metal to touch the inside cavity walls, ceiling, or floor.
- Always use the turntable.
- To avoid damage to the microwave oven, do not allow contact with another metal object during microwave cooking.

Do Not Use

Metal cookware and bakeware, gold, silver, pewter, non-approved meat thermometers, skewers, twist ties, foil liners such as sandwich wrappers, staples, and objects with gold or silver trim or a metallic glaze should not be used in the microwave oven.

For Use with Grill Element

Use the provided tall grill rack with an ovenproof pan to catch the drippings.

For Use with Convection System

Use the provided short convection rack and an ovenproof baking dish for convection baking.

Use the provided short convection rack and a microwave-safe, ovenproof baking dish for convection roasting.

Microwave Cooking Power

Many recipes for microwave cooking specify which cooking power to use by percent or name. For example, PL7 = 70% = Medium-High.

To see the exact power level during a cooking cycle, touch POWER LEVEL. The display will briefly show the current power level, then will return to the cooking countdown.

Use the following chart as a general guide for the suggested cooking power of specific foods.

Percent/Name	Use
100%, High, PL10 (default setting)	Quick heating convenience foods and foods with high water content, such as soups, beverages and most vegetables
90%, PL9	Cooking small, tender pieces of meat, ground meat, poultry pieces, and fish fillets Heating cream soups
80%, PL8	Heating rice, pasta, or stirrable casseroles Cooking and heating foods that need a cook power lower than high, for example, whole fish and meat loaf
70%, Medium-High, PL7	Reheating a single serving of food
60%, PL6	Cooking sensitive foods such as cheese and egg dishes, pudding, and custards Cooking non-stirrable casseroles such as lasagna
50%, Medium, PL5	Cooking ham, whole poultry, and pot roasts Simmering stews
40%, PL4	Melting chocolate Heating bread, rolls, and pastries
30%, Medium-Low, Defrost, PL3	Defrosting bread, fish, meats, poultry, and precooked foods
20%, PL2	Softening butter, cheese, and ice cream
10%, Low, PL1	Taking chill out of fruit

Manual Cooking

NOTE: To cook at 100% power, begin by touching the number keypads to enter cook time, then touch START.

To Use:

1. Place food on the turntable and close the door.
2. Touch COOK TIME.
“00:00” will appear in the display. Enter the length of time to cook.
If cooking with 100% power, skip Step 3.
3. Touch POWER LEVEL.
The default power level PL10 will appear in the display. Enter the desired power level. See the “Microwave Cooking Power” section.
4. Touch START.
When the cycle ends, “End” will appear in the display and the end-of-cycle tones will sound.
5. Touch STOP CANCEL or open the door to clear the display.

Cooking in Stages

The microwave oven can be set to cook at different cooking powers for various lengths of time, up to 2 stages, which may include a defrosting stage. See the “Defrost” section to set the defrosting stage.

NOTE: If a defrosting stage is programmed, it will cycle first.

To Cook in Stages:

1. Place food on the turntable and close the door.
 2. Touch COOK TIME.
“00:00” will appear in the display. Enter the length of time to cook during the first stage.
 3. Touch POWER LEVEL, then enter the desired cooking power for the first stage. See the “Microwave Cooking Power” section.
 4. Repeat steps 2 and 3 for the second stage.
 5. Touch START.
One tone will sound between stages.
When the cycle ends, “End” will appear in the display and the end-of-cycle tones will sound.
 6. Touch STOP CANCEL or open the door to clear the display.
- Cook time may be added in 30-second increments during the cycling stage by touching START ADD 30 SEC.

Sensor Cooking

A sensor in the microwave oven detects humidity released from the food as it heats and adjusts the cook time accordingly.

Many sensor cycles require the covering of foods. Microwave-safe containers or steamers with loose-fitting lids are recommended. The loose-fitting lid allows enough steam to escape to be detected by the sensor. When covering foods with plastic wrap, be sure to leave a large enough vent opening to allow the steam to escape.

“SC” (sensor cook) will appear in the display during sensor cooking.

NOTES:

- The microwave oven should be plugged in for at least 3 minutes.
- The microwave oven cavity and the exterior of the cooking container should be dry.
- The room temperature should not exceed 95°F (35°C).
- If the door is opened while the sensor is detecting moisture (while “SC” appears in the display), sensing will stop and the program will be canceled.

Menu (sensor and non-sensor)

The following menu items are preprogrammed for quick and easy cooking/reheating.

For added convenience, the available/recommended amounts shown in the following chart are included on the Cooking Guide label (see the "Parts and Features" section for its location).

Menu Item	Serving Size	Instructions
POPCORN (non-sensor)	3.3 oz (94 g) 3.0 oz (85 g) 1.75 oz (50 g)	<ul style="list-style-type: none"> ■ To avoid damage to the microwave oven, do not use regular paper bags or glassware. ■ Pop only one package of popcorn at a time. ■ Follow manufacturer's instructions when using a microwave popcorn popper. ■ For best cooking results, do not try to pop unpopped kernels. ■ Use fresh bags of popcorn for optimal results. ■ Cooking results may vary by brand and fat content. For bag sizes not listed in this section, follow directions on the package. <p>NOTE: During Popcorn function, as with all microwave cooking functions, the microwave oven should be attended at all times. Listen for popping to slow to 1 pop every 1 or 2 seconds, then stop the cycle.</p>
PIZZA REHEAT (non-sensor)	1 to 3 slices, 3 oz (85 g) each, refrigerated	Place pizza slices on a paper towel-lined microwave-safe plate in the center of the turntable.
BEVERAGE (non-sensor, reheat)	1 or 2 cups, 8 oz (250 mL) each	Do not cover. The diameter of the cup's opening will affect how the liquid heats. Beverages in cups with smaller openings may heat faster.
SOUP (non-sensor)	1 to 4 cups (250 mL to 1 L)	Place in microwave-safe container. Cover with plastic wrap and vent.* Stir and let stand 2-3 minutes after heating.
POTATO (non-sensor)	1 to 4 potatoes, 10 oz (283 g) each	Pierce each one several times with a fork. Place on paper towel, around turntable edges, at least 1" (2.5 cm) apart. Place a single potato to the side of the turntable. Let stand 5 minutes after cooking.
DINNER PLATE (sensor, reheat)	10-16 oz (283-454 g), refrigerated	Place food on microwave-safe plate. Cover with plastic wrap and vent.* Let stand 2-3 minutes after heating.
FRESH VEGETABLE (sensor)	1 to 4 cups (250 mL to 1 L)	Place in microwave-safe container and add 2-4 Tbsp (30-60 mL) water. Cover with plastic wrap and vent.* Stir and let stand 2-3 minutes after cooking.
FROZEN VEGETABLE (sensor)	1 to 4 cups (250 mL to 1 L)	Place in microwave-safe container and add 2-4 Tbsp (30-60 mL) water. Cover with plastic wrap and vent.* Stir and let stand 2-3 minutes after cooking.

*When covering foods, make sure the vent opening is large enough for the moisture to escape. This will allow the sensor to accurately determine cooking time.

To Use Non-Sensor Menu (Popcorn, Pizza Reheat, Beverage, Soup, Potato):

1. Place food on the turntable and close the door.
2. Touch desired menu control.
The first programmed amount will appear in the display. Touch control keypad repeatedly or touch number keypads to change quantity. See chart.
3. Touch START.
When the cycle ends, "End" will appear in the display and the end-of-cycle tones will sound.
4. Touch STOP CANCEL or open the door to clear the display.

To Use Sensor Menu (Dinner Plate, Fresh Vegetable, Frozen Vegetable):

1. Place food on the turntable and close the door.
2. Touch the desired menu control.
"SC" (sensor cook) will appear in the display.
3. Touch START.
The microwave oven will start and sensor cooking will begin. "SC" will remain in the display until the sensor has determined the remaining cook time.
When the cycle ends, "End" will appear in the display and the end-of-cycle tones will sound.
4. Touch STOP CANCEL or open the door to clear the display.

Grill

The Grill function uses a calrod thermal element that heats quickly to grill a variety of foods.

- Use the grill rack to place food closer to the grill element for faster grilling.
- Oven cavity and door will become very hot during grill element use. The use of oven mitts is recommended.
- Use an ovenproof pan to catch drippings.
- The grill rack and pan will become very hot. Use oven mitts to grasp pan for removal. To avoid damage, do not place hot pan directly on heat-sensitive surfaces.
- The turntable must be in place when using the grill rack.
- For best results, apply light amount of cooking oil to grill rack.

Examples of Grill Times

Toast	5-5½ min
Sirloin steak, 1 lb (454 g), ¾" (1.9 cm) thick, medium doneness	Side 1: 15 min. Side 2: 10 min.

To Use:

1. Place grill rack securely on pan and place both on the turntable. Then position food on rack and close the door.
2. Touch GRILL.
"00:00" will appear in the display. Enter the length of time to grill in minutes and seconds.
3. Touch START.
Grill time will count down in the display.
About halfway through the cycle, a tone will sound. This is a reminder to turn the food, if desired.
When the cycle ends, "End" will appear in the display and the end-of-cycle tones will sound.
4. Touch STOP CANCEL or open the door to clear the display.

Convection

The convection system circulates hot air through the microwave oven cavity with a fan. The constantly moving air surrounds the food to heat the outer portion quickly.

Convection Bake uses the convection system only.

Convection Roast uses the convection system in conjunction with microwaves to cook more quickly.

- The microwave oven cavity and door will become hot during the convection cycle. The use of oven mitts is recommended.
- Use the provided convection (short) rack.
- Do not cover turntable or convection rack with aluminum foil as it interferes with the circulation of hot air.
- Do not use light plastic containers, plastic wrap, or paper products. All ovenproof cookware or metal utensils can be used with the Convection Bake function. (Round pizza pans are excellent cooking utensils for many convection-only items.) Metal utensils cannot be used with the Convection Roast function.
- No special techniques are needed to adapt standard oven recipes to convection cooking, although some temperatures might need to be reduced and some cooking times might need to be shortened.

Convection Temperature Indicator

The 10 bars in the bottom of the display represent the microwave oven's current and approaching temperature. Each bar corresponds to the temperature represented on each of the number keypads, 1 through 0 (10).

The bar corresponding to the desired set temperature will flash. As the microwave oven heats, each bar will light as its corresponding temperature is reached. When the desired temperature is reached, the flashing bar will become solid. If the temperature of the microwave oven drops below the set temperature, the bar will flash until the microwave oven heats to the set temperature again.

For example, if the desired temperature is set at 375°F (191°C) (number "8" keypad), the eighth bar will flash. When the microwave oven reaches 100°F (38°C), the first bar will light. When the microwave oven reaches 170°F (77°C), the second bar will light, and so on, until the desired temperature is reached, and the eighth bar stops flashing and becomes solid.

Convection Roast

The Convection Roast function shortens the cooking time for foods that normally require long periods of time to cook. It alternates between convection heat and microwave energy. Combination cooking also leaves meats juicy on the inside and crispy on the outside.

- The microwave oven cavity and door will become hot during the Convection Roast cycle. The use of oven mitts is recommended.
- To avoid damage to the microwave oven, do not use metal cookware or utensils during the Convection Roast cycle. Use only ovenproof, microwave-safe cookware.
- Meats may be roasted directly on the convection rack. Use an ovenproof, microwave-safe pan to catch the drippings.
- Less tender cuts of beef can be roasted and tenderized using oven cooking bags.
- Check for doneness after cooking time has ended. If not completely done, let stand in microwave oven for a few minutes to complete cooking.

Examples of Convection Roast Times

Pork roast, 2 lbs (907 g)	350°F (177°C) for 50 min. (about 22-23 min./lb)
Whole chicken, 4 lbs (1.8 kg) (giblet removed)	350°F (177°C) for 1 hr, 10 min. (about 18-20 min./lb)
Bone-in chicken pieces, 2 lbs (907 g)	325°F (163°C) for 40 min.

To Use:

NOTE: The default temperature is 325°F (163°C) and the default roast time is one hour.

1. Arrange food on convection rack, place rack with food in a pan, then place the pan with the rack and food on the turntable, and close the door.

OR

Place food in a pan, place the pan on the convection rack, and then place the rack with the pan and food on the turntable, and close the door.

2. Touch CONVECT ROAST.

“325” will blink in the display. Touch the number pad that corresponds to the desired temperature, if other than 325°F (163°C). Available temperatures are 170°F (77°C) through 375°F (191°C).

If roasting for the default length of time of 1 hour, skip Step 3.

3. Touch COOK TIME.

“H0:00” will appear in the display. Enter length of time to roast in hours and minutes.

4. Touch START.

Convection Roast time will count down in the display.

When the cycle ends, “End” will appear in the display and the end-of-cycle tones will sound.

5. Touch STOP CANCEL or open the door to clear the display.

Convection Bake

The Convection Bake function is ideal for baking items such as soufflés, breads, cookies, angel food cakes, pizza, and casseroles.

- The microwave oven cavity and door will become hot during the Convection Bake cycle. The use of oven mitts is recommended.
- Use ovenproof bakeware. Metal bakeware may be used during the Convection Bake cycle.
- This microwave oven may be preheated in the same way that a standard oven is preheated. (Most recipes for baked goods call for preheating.)
- The default temperature is 350°F (177°C) and the default bake time is 1 hour.

Examples of Convection Bake Times

Cookies	350°F (177°C) for 10-13 min.
Bread	350°F (177°C) for 25-30 min.
Frozen pizza, thin crust	400°F (204°C) for 18-20 min.
Frozen pizza, thick crust	400°F (204°C) for 25 min.

To Use Without Preheat:

NOTE: The end-of-preheat tones will sound when the microwave oven has reached the desired temperature, but no action is required.

1. Place pan of food on the convection rack, then place the rack with the pan on the turntable and close the door.
2. Touch CONVECT BAKE.
“350” will blink in the display. Touch the number pad that corresponds to the desired temperature, if other than 350°F (177°C).
If baking for the default length of time of 1 hour, skip Step 3.
3. Touch COOK TIME.
“H0:00” will appear in the display. Enter length of time to bake in hours and minutes.
4. Touch START.
Convection Bake time will count down in the display.
The end-of-preheat tones will sound during the countdown.
When the cycle ends, “End” will appear in the display and the end-of-cycle tones will sound.
5. Touch STOP CANCEL or open the door to clear the display.

To Use With Preheat:

1. Place the convection rack on the turntable and close the door.
2. Touch CONVECT BAKE.
“350” will blink in the display. Touch the number pad that corresponds to the desired temperature, if other than 350°F (177°C).
3. Touch START.
“H1:00” will appear in the display, and start counting down.
When preheat temperature is reached, 2 tones will sound.
4. Place the pan of food on the convection rack, and close the door.
If Convection Bake time remaining in the display is correct, skip Step 5.
5. Touch COOK TIME.
“H0:00” will appear in the display. Enter length of time to bake in hours and minutes.
6. Touch START.
Convection Bake time will count down in the display.
When the cycle ends, “End” will appear in the display and the end-of-cycle tones will sound.
7. Touch STOP CANCEL or open the door to clear the display.

Defrost

- Unwrap foods and remove lids (for example, from fruit juice containers) before defrosting.
- Shallow packages will defrost more quickly than deep blocks.
- Separate food pieces as soon as possible during or at the end of the cycle for more even defrosting.
- Use small pieces of aluminum foil to shield parts of food such as chicken wings, leg tips, and fish tails. See the “Aluminum Foil and Metal” section first.

The Defrost feature has preset times and cook powers for defrosting meat, poultry, and fish by weight. It should not be used for food that has been left outside the freezer for more than 20 minutes or for frozen ready-made food. Use the following chart as a guide.

Foods	Instructions
Meat <i>Beef (ground, steaks, roast, stew)</i> <i>Lamb (stew and chops)</i> <i>Pork (chops, ribs, roasts, sausage)</i>	The narrow or fatty areas of irregular-shaped cuts should be shielded with foil before defrosting. Do not defrost less than 1/4 lb (113 g) or two 4 oz (113 g) patties. Place all meats in microwave-safe baking dish. Do not cover.
Poultry <i>Chicken (whole and cut up)</i> <i>Cornish hens</i> <i>Turkey breast</i>	Place in microwave-safe baking dish, chicken breast-side up. Do not cover.
Fish <i>Fillets</i> <i>Steaks</i> <i>Whole shellfish</i>	Place in microwave-safe baking dish. Do not cover.

To Use Defrost:

1. Place food, uncovered, on the turntable and close the door.
2. Touch DEFROST.
Enter the weight in pounds.
Weight can be set from 0.3 lb to 6.3 lbs (136 g to 2.86 kg).
NOTE: Enter weight in grams if weight entry mode is set to metric. See the “Weight Entry Mode” section.

3. Touch START.
The display will count down the defrost time.
The cycle may be interrupted briefly to turn food, if necessary, by opening the door. Close the door and touch START to resume the cycle.
When the cycle ends, “End” will appear in the display and the end-of-cycle tones will sound.
4. Touch STOP CANCEL or open the door to clear the display.
To Defrost Manually: Follow directions in the “Manual Cooking” section and use 30% cooking power. See the “Microwave Cooking Power” chart.

MICROWAVE OVEN CARE

General Cleaning

IMPORTANT: Before cleaning, make sure all controls are OFF and the microwave oven is cool. Always follow label instructions on cleaning products.

Soap, water, and a soft cloth or sponge are suggested unless otherwise noted.

MICROWAVE OVEN CAVITY

To avoid damage to the microwave oven cavity, do not use soap-filled scouring pads, abrasive cleaners, steel-wool pads, gritty washcloths, or some recycled paper towels.

To avoid damage to stainless steel models, rub in direction of grain.

The area where the microwave oven door and frame touch when closed should be kept clean.

Average soil

- Mild, nonabrasive soaps and detergents:
Rinse with clean water and dry with soft, lint-free cloth.

Heavy soil

- Mild, nonabrasive soaps and detergents:
Heat 1 cup (250 mL) of water for 2 to 5 minutes in microwave oven. Steam will soften soil. Rinse with clean water and dry with soft, lint-free cloth.

Odors

- Lemon juice or vinegar:
Heat 1 cup (250 mL) of water with 1 tbs (15 mL) of either lemon juice or vinegar for 2 to 5 minutes in microwave oven.

Microwave Inlet Cover

To avoid arcing and microwave oven damage, the microwave inlet cover (see the “Parts and Features” section) should be kept clean.

- Wipe with wet cloth.

MICROWAVE OVEN DOOR AND EXTERIOR

The area where the microwave oven door and frame touch when closed should be kept clean.

- Mild, nonabrasive soaps and detergents:
Rinse with clean water and dry with soft, lint-free cloth.
- Glass cleaner and paper towels or nonabrasive plastic scrubbing pad:
Apply glass cleaner to towel, not directly to surface.

Stainless Steel (on some models)

To avoid damage to microwave oven door and exterior, do not use soap-filled scouring pads, abrasive cleaners, steel-wool pads, gritty washcloths, or some paper towels. Rub in direction of grain.

- Stainless steel cleaner (not included):
See the “Assistance or Service” section to order.
- Liquid detergent or all-purpose cleaner:
Rinse with clean water and dry with soft, lint-free cloth.
- Vinegar for hard water spots

CONTROL PANEL

- Sponge or soft cloth and water:
Dampen sponge with water and wipe panel. Dry with soft cloth.
- To avoid damage to the control panel, do not use chemical or abrasive cleansers.

TURNTABLE

Replace turntable immediately after cleaning. Do not operate the microwave oven without the turntable in place.

- Mild cleanser and scouring pad
- Dishwasher

CONVECTION AND GRILL RACKS

Dishwasher cleaning is not recommended. To avoid damage to the convection and grill racks, do not use abrasive cleansers or scrubbers.

- Mild soap, water, and washcloth.

TROUBLESHOOTING

First try the solutions suggested here. If you need further assistance or more recommendations that may help you avoid a service call, refer to the warranty page in this manual and scan the code there with your mobile device, or visit <http://kitchenaid.custhelp.com>. In Canada, visit <http://www.kitchenaid.ca>.

Contact us by mail with any questions or concerns at the address below:

In the U.S.A.:

KitchenAid Brand Home Appliances
Customer eXperience Center
553 Benson Road
Benton Harbor, MI 49022-2692

In Canada:

KitchenAid Brand Home Appliances
Customer eXperience Centre
200 – 6750 Century Ave.
Mississauga, Ontario L5N 0B7

Please include a daytime phone number in your correspondence.

If you experience	Recommended Solutions
Nothing will operate	<p>Check the following:</p> <ul style="list-style-type: none">■ Household fuse or circuit breaker: If a household fuse has blown or a circuit breaker has tripped, replace the fuse or reset the circuit breaker. If the problem continues, call an electrician.■ Microwave wiring: See Installation Instructions provided with your microwave oven.
Microwave oven will not operate	<p>Check the following:</p> <ul style="list-style-type: none">■ Magnetron: Try to heat 1 cup (250 mL) of cold water for 2 minutes at 100% cooking power. If water does not heat, try the steps in the bullets below. If microwave oven still does not operate, call for service.■ Door: Firmly close door. On some models, if a packaging spacer is attached to the inside of the door, remove it, then firmly close door. If a message about the door appears in the display, the door has been closed for 5 minutes or more without the microwave oven being started. This occurs to avoid unintended starting of the microwave oven. Open and close the door, then start the cycle.■ Control: Make sure control is set properly. Make sure Control Lock is OFF. Make sure Demo mode (on some models) is OFF.
Microwave oven makes humming noise	<ul style="list-style-type: none">■ This is normal and occurs when the power supply in the magnetron cycles on.
Microwave oven door looks wavy	<ul style="list-style-type: none">■ This is normal and will not affect performance.
Turntable will not operate	<p>Check the following:</p> <ul style="list-style-type: none">■ Turntable: Make sure turntable is correct-side up and is sitting securely on the turntable support. See the “Turntable” section.■ Turntable support: Remove turntable. Remove and clean turntable hub, support, and rollers. Replace hub, support, and turntable. Place 1 cup (250 mL) of water on the turntable, then restart microwave oven. If it still is not working, call for service. See the “Warranty” section. Do not operate the microwave oven without turntable and turntable support working properly.
Turntable alternates rotation directions	<ul style="list-style-type: none">■ This is normal and depends on motor rotation at the beginning of the cycle.
Display shows messages	<ul style="list-style-type: none">■ A flashing “0:00” means there has been a power failure. Reset the clock.
Display shows time countdown, but the microwave oven is not operating	<p>Check the following:</p> <ul style="list-style-type: none">■ Timer: See the “Timer” section.
Tones are not sounding	<p>Check the following:</p> <ul style="list-style-type: none">■ Tones: See the “Tones” section.
Cooking times seem too long	<p>Check the following:</p> <ul style="list-style-type: none">■ Cooking power: See the “Microwave Cooking Power” section.■ Amount of food: Larger amounts of food need longer cooking times.■ Voltage: Have a qualified electrician check the electrical system in the home.
Odor coming from microwave oven during convection and/or grill cooking	<ul style="list-style-type: none">■ This is normal for the first few convection and/or grill cycles. The odor will dissipate with repeated use.

If you experience	Recommended Solutions
Radio, TV, or cordless phone interference	<p>Check the following:</p> <ul style="list-style-type: none"> ■ Proximity: Move the receiver away from the microwave oven or adjust the radio or TV antenna. If the microwave oven is plugged into the same outlet, try a different outlet for the electronic device. ■ Soil: Make sure the microwave oven door and sealing surfaces are clean. ■ Frequency: Some 2.4 GHz-based cordless phones and home wireless networks may experience static or noise while microwave oven is ON. Use a corded phone, a different frequency cordless phone, or avoid using these items during microwave oven operation.

ASSISTANCE OR SERVICE

If you need service:

Please refer to the warranty page in this manual.

If you need replacement parts:

If you need to order replacement parts, we recommend that you use only factory specified parts. These factory specified parts will fit right and work right because they are made with the same precision used to build every new KitchenAid® appliance.

To locate factory specified parts in your area, call us or your nearest KitchenAid® designated service center.

In the U.S.A.

Call the KitchenAid Customer eXperience Center toll-free: **1-800-422-1230** or visit our website at **www.kitchenaid.com**.

Our consultants provide assistance with:

- Scheduling of service. KitchenAid® appliances designated service technicians are trained to fulfill the product warranty and provide after-warranty service anywhere in the United States.
- Features and specifications on our full line of appliances.
- Referrals to local KitchenAid® appliance dealers.
- Installation information.
- Use and maintenance procedures.
- Accessory and repair parts sales.
- Specialized customer assistance (Spanish speaking, hearing impaired, limited vision, etc.).

For further assistance:

If you need further assistance, you can write to KitchenAid with any questions or concerns at:

KitchenAid Brand Home Appliances
Customer eXperience Center
553 Benson Road
Benton Harbor, MI 49022-2692

Please include a daytime phone number in your correspondence.

In Canada

Call the KitchenAid Customer eXperience Center toll-free: **1-800-807-6777** or visit our website at **www.kitchenaid.ca**.

Our consultants provide assistance with:

- Scheduling of service. KitchenAid® appliances designated service technicians are trained to fulfill the product warranty and provide after-warranty service anywhere in Canada.
- Features and specifications on our full line of appliances.
- Referrals to local KitchenAid® appliance dealers.
- Use and maintenance procedures.
- Accessory and repair parts sales.

For further assistance:

If you need further assistance, you can write to KitchenAid with any questions or concerns at:

Customer eXperience Centre
KitchenAid Canada
200 - 6750 Century Ave.
Mississauga, Ontario L5N 0B7

Please include a daytime phone number in your correspondence.

Replacement Parts

Glass Turntable Part Number W10451786	Convection Rack (short) Part Number W10605651
Turntable Support and Rollers Part Number W10605643	Grill Rack (tall) Part Number W10605652
Turntable Hub Part Number W10605644	

Cleaning Supplies

affresh® Kitchen Appliance Cleaner Part Number W10355010	affresh® Stainless Steel Wipes Part Number W10355049
affresh® Stainless Steel Cleaner Part Number W10355016	Heavy Duty Degreaser Part Number 31552A

Built-In Kits

This countertop microwave oven can be built in by using one of the following trim kits.* These kits are available from the dealer or can be ordered by kit model number. See the "Assistance or Service" section for the toll-free number.

Kit Size	Kit Model Numbers/Color
27" (68.6 cm)	MKC2157AS/Stainless MKC2157AV/Black Stainless Steel
30" (76.2 cm)	MKC2150AS/Stainless MKC2150AV/Black Stainless Steel

* The built-in trim kits can be installed over any (electric or gas) built-in wall oven, up to 30" (76.2 cm).

KITCHENAID® COUNTERTOP MICROWAVE LIMITED WARRANTY

ATTACH YOUR RECEIPT HERE. PROOF OF PURCHASE IS REQUIRED TO OBTAIN WARRANTY SERVICE.

Please have the following information available when you call the Customer eXperience Center:

- Name, address and telephone number
- Model number and serial number
- A clear, detailed description of the problem
- Proof of purchase including dealer or retailer name and address

IF YOU NEED SERVICE:

If you reside in the United States and your KitchenAid® Countertop Microwave should cease to operate within the first year of ownership:

1. Before contacting us to arrange service, please determine whether your product requires repair. Some questions can be addressed without service. Please take a few minutes to review the Troubleshooting or Problem Solver section of the Use and Care Guide, scan the QR code on the right to access additional resources, or visit <http://kitchenaid.custhelp.com>.
2. All warranty service is provided exclusively by our authorized KitchenAid Service Providers. In the U.S. and Canada, direct all requests for warranty service to:

KitchenAid Customer eXperience Center

In the U.S.A., call 1-800-422-1230. In Canada, call 1-800-807-6777.

3. The consultant will advise whether the microwave qualifies for repair or replacement.
4. In the event of repair, you may be directed to forward the product to a KitchenAid designated service center. You are responsible for insurance and freight to the designated service center. Please include your name and address on a piece of paper, along with a copy of the proof of purchase (register receipt, charge slip, etc.). The microwave should be properly packaged to avoid damage in transit as we will not be responsible for any such damage.
5. KitchenAid will return the repaired unit or, at our option, an identical or comparable microwave to your door free of charge.

If outside the 50 United States or Canada, contact your authorized KitchenAid dealer to determine whether another warranty applies.



<http://kitchenaid.custhelp.com>

ONE YEAR LIMITED WARRANTY

WHAT IS COVERED

For one year from the date of purchase, when this microwave is installed, operated and maintained according to instructions attached to or furnished with the product, KitchenAid brand of Whirlpool Corporation or Whirlpool Canada LP (hereafter "KitchenAid") will pay for Factory Specified Replacement Parts and repair labor to correct defects in materials or workmanship that existed when this microwave was purchased, or at its sole discretion replace the product. In the event of product replacement, your appliance will be warranted for the remaining term of the original unit's warranty period. See service instructions.

YOUR SOLE AND EXCLUSIVE REMEDY UNDER THIS LIMITED WARRANTY SHALL BE PRODUCT REPAIR AS PROVIDED HEREIN. Service must be provided by a KitchenAid designated service company. This limited warranty is valid only in the United States or Canada and applies only when the microwave is used in the country in which it was purchased. This limited warranty is effective from the date of original consumer purchase. Proof of original purchase date is required to obtain service or replacement under this limited warranty.

WHAT IS NOT COVERED

1. Service calls to correct the installation of your microwave, to instruct you how to use your product, to replace or repair house fuses, reset circuit breakers or to correct house wiring or plumbing.
2. Service calls to repair or replace light bulbs. Consumable parts are excluded from warranty coverage.
3. In-home service. Your microwave must be shipped to a KitchenAid designated service company.
4. Repairs or replacement when your microwave is used for other than normal, single-family household use or when it is used in a manner contrary to published user or operator instructions and/or installation instructions.
5. Damage resulting from accident, alteration, misuse, abuse, fire, flood, acts of God, improper installation, installation not in accordance with electrical or plumbing codes, or use of consumables or cleaning products not approved by KitchenAid.
6. Cosmetic damage, including scratches, dents, chips or other damage to the finish of your microwave, unless such damage results from defects in materials or workmanship and is reported to KitchenAid within 30 days from the date of purchase.
7. Any food loss due to microwave product failure.
8. Repairs to parts or systems resulting from unauthorized modifications made to the appliance.
9. Microwaves with original model/serial numbers that have been removed, altered or cannot be easily determined. This warranty is void if the factory applied serial number has been altered or removed from your appliance.

The cost of repair or replacement under these excluded circumstances shall be borne by the customer.

DISCLAIMER OF IMPLIED WARRANTIES

IMPLIED WARRANTIES, INCLUDING ANY IMPLIED WARRANTY OF MERCHANTABILITY OR IMPLIED WARRANTY OF FITNESS FOR A PARTICULAR PURPOSE, ARE LIMITED TO ONE YEAR OR THE SHORTEST PERIOD ALLOWED BY LAW. Some states and provinces do not allow limitations on the duration of implied warranties of merchantability or fitness, so this limitation may not apply to you. This warranty gives you specific legal rights, and you also may have other rights that vary from state to state or province to province.

DISCLAIMER OF REPRESENTATIONS OUTSIDE OF WARRANTY

KitchenAid makes no representations about the quality, durability, or need for service or repair of this major appliance other than the representations contained in this warranty. If you want a longer or more comprehensive warranty than the limited warranty that comes with this major appliance, you should ask KitchenAid or your retailer about buying an extended warranty.

LIMITATION OF REMEDIES; EXCLUSION OF INCIDENTAL AND CONSEQUENTIAL DAMAGES

YOUR SOLE AND EXCLUSIVE REMEDY UNDER THIS LIMITED WARRANTY SHALL BE PRODUCT REPAIR AS PROVIDED HEREIN. KITCHENAID SHALL NOT BE LIABLE FOR INCIDENTAL OR CONSEQUENTIAL DAMAGES. Some states and provinces do not allow the exclusion or limitation of incidental or consequential damages, so these limitations and exclusions may not apply to you. This warranty gives you specific legal rights, and you also may have other rights that vary from state to state or province to province.

SÉCURITÉ DU FOUR À MICRO-ONDES

Votre sécurité et celle des autres est très importante.

Nous donnons de nombreux messages de sécurité importants dans ce manuel et sur votre appareil ménager. Assurez-vous de toujours lire tous les messages de sécurité et de vous y conformer.



Voici le symbole d'alerte de sécurité.

Ce symbole d'alerte de sécurité vous signale les dangers potentiels de décès et de blessures graves à vous et à d'autres.

Tous les messages de sécurité suivront le symbole d'alerte de sécurité et le mot "DANGER" ou "AVERTISSEMENT". Ces mots signifient :

⚠ DANGER

Risque possible de décès ou de blessure grave si vous ne suivez pas immédiatement les instructions.

⚠ AVERTISSEMENT

Risque possible de décès ou de blessure grave si vous ne suivez pas les instructions.

Tous les messages de sécurité vous diront quel est le danger potentiel et vous disent comment réduire le risque de blessure et ce qui peut se produire en cas de non-respect des instructions.

IMPORTANTES INSTRUCTIONS DE SÉCURITÉ

Lors de l'utilisation de tout appareil ménager électrique on doit observer certaines précautions de sécurité fondamentales, dont les suivantes :

AVERTISSEMENT : Pour réduire le risque de brûlures, de choc électrique, d'incendie, de blessures et l'exposition excessive à l'énergie des micro-ondes :

- Lire la totalité des instructions avant d'utiliser le four à micro-ondes.
- Lire et observer les instructions spécifiques de "PRÉCAUTIONS CONTRE LE RISQUE D'EXPOSITION EXCESSIVE À L'ÉNERGIE DES MICRO-ONDES" dans cette section.
- Le four à micro-ondes doit être relié à la terre. Brancher l'appareil uniquement sur une prise de courant convenablement reliée à la terre. Voir les "INSTRUCTIONS DE LIAISON À LA TERRE" présentées dans la section "INSTRUCTIONS D'INSTALLATION".
- Installer ou placer le four à micro-ondes uniquement selon les instructions d'installation fournies.
- Certains produits, comme les oeufs entiers dans leur coquille et les récipients fermés - par exemple les bocaux en verre fermés - peuvent exploser et on ne doit pas les faire chauffer dans le four à micro-ondes.
- Utiliser le four à micro-ondes uniquement pour les applications auxquelles il est destiné, telles qu'elles sont décrites dans ce manuel. Ne pas utiliser de vapeurs ou de produits chimiques corrosifs dans le four à micro-ondes. Ce type de four est spécifiquement conçu pour chauffer, cuire ou sécher des aliments. Il n'est pas conçu pour des applications industrielles ou de laboratoire.
- Comme pour tout appareil ménager, les enfants ne devraient utiliser ce four que sous une supervision adéquate.
- Ne pas faire fonctionner le four à micro-ondes si le cordon d'alimentation ou la fiche de branchement est endommagé, s'il ne fonctionne pas correctement, s'il a subi des dommages ou s'il est tombé.
- Tous les travaux de service doivent être exécutés exclusivement par un personnel d'entretien qualifié. Contacter un centre de service autorisé pour les opérations d'inspection, de réparation ou de réglage.
- Ne pas couvrir ni obstruer toute ouverture sur le four à micro-ondes.
- Ne pas remiser ce four à micro-ondes à l'extérieur. Ne pas utiliser le four à micro-ondes à proximité d'eau - par exemple, près d'un évier de cuisine, dans un sous-sol humide ou près d'une piscine ou à un emplacement similaire.
- Ne pas immerger le cordon ou la fiche de branchement dans l'eau.
- Garder le cordon d'alimentation loin des surfaces chauffées.
- Ne pas laisser le cordon d'alimentation pendre sur le bord d'une table ou d'un comptoir.
- Voir les instructions de nettoyage de la surface de la porte à la section "Entretien du four à micro-ondes".
- Pour réduire le risque d'incendie dans la cavité du four :
 - Ne pas faire cuire les aliments excessivement. Surveiller attentivement le four à micro-ondes après y avoir placé des produits en papier, en plastique ou autres matériaux combustibles pour faciliter la cuisson des aliments.
 - Enlever les attaches métalliques des sachets en papier ou en plastique avant de placer de tels sachets dans le four.
 - En cas d'inflammation de matériaux placés à l'intérieur du four, maintenir la porte du four fermée, arrêter le four, débrancher le four, ou interrompre l'alimentation électrique au niveau du tableau de distribution (fusible ou disjoncteur).
 - Ne pas utiliser la cavité du four comme espace de rangement. Ne pas laisser dans le four des produits en papier, ustensiles de cuisine ou produits alimentaires, lorsqu'il n'est pas utilisé.

CONSERVEZ CES INSTRUCTIONS

IMPORTANTES INSTRUCTIONS DE SÉCURITÉ

- Les liquides tels que l'eau, le café ou le thé peuvent trop chauffer - au-delà du point d'ébullition - sans sembler bouillir. Il n'y a pas toujours des bulles ou une ébullition lorsqu'on retire le récipient du four à micro-ondes. À CAUSE DE CECI, DES LIQUIDES TRÈS CHAUDS POURRAIENT DÉBORDER LORSQU'ON BOUGE LE RÉCIPIENT OU QUE L'ON UTILISE UNE CUILLÈRE OU UN AUTRE USTENSILE POUR LE REMUER.
Pour réduire le risque de blessures corporelles :
 - Ne pas trop faire chauffer le liquide.
 - Remuer le liquide avant et pendant le chauffage.
 - Ne pas utiliser de récipients à parois droites avec des ouvertures étroites.
 - Une fois chaud, laisser le récipient dans le four à micro-ondes un moment avant de le retirer.
 - Faire très attention lorsqu'on utilise une cuillère ou un autre ustensile dans le récipient.
- Ne pas faire le montage au-dessus d'un évier.
- Veiller à ne rien remiser directement sur le four lorsqu'il est en service.
- Les aliments trop volumineux ou des ustensiles en métal de grande taille ne doivent pas être insérés dans le four à micro-ondes car ils peuvent créer un incendie ou un risque de choc électrique.
- Ne pas nettoyer avec des tampons métalliques à récurer. Des pièces peuvent se détacher du tampon en brûlant et venir en contact avec des pièces électriques qui pourraient causer un risque de choc électrique.
- Ne pas utiliser de produits en papier lorsque l'on fait fonctionner l'appareil au mode de convection, en combiné, ou mode de gril ou "PAN BROWN" (brunissage à la poêle).
- Ne pas remiser des matériaux autres que les accessoires recommandés par le fabricant dans ce four lorsqu'il n'est pas utilisé.
- Ne pas couvrir les grilles ou autre partie du four avec du papier métallique. Cette action causera un surchauffage du four.

CONSERVEZ CES INSTRUCTIONS

PRÉCAUTIONS CONTRE LE RISQUE D'EXPOSITION EXCESSIVE À L'ÉNERGIE DES MICRO-ONDES

- (a) Ne pas tenter de faire fonctionner ce four lorsque la porte est ouverte, car ceci pourrait susciter une exposition dangereuse à l'énergie des micro-ondes. Il est important de ne pas entraver le fonctionnement correct du dispositif de verrouillage de sécurité.
- (b) Ne pas placer d'objet entre la surface avant du four et la porte, et ne jamais laisser des souillures ou résidus de produits de nettoyage s'accumuler sur les surfaces d'étanchéité.
- (c) Ne pas faire fonctionner le four lorsqu'il est endommagé. Il est particulièrement important que la porte du four ferme convenablement et que les composants suivants ne soient pas endommagés :
 - (1) Porte (déformation),
 - (2) Charnières et dispositif de verrouillage (brisés ou desserrés),
 - (3) Joints de porte et surfaces d'étanchéité.
- (d) Seul un personnel d'entretien qualifié est habilité à exécuter des réparations ou réglages sur cet appareil.

Avertissements de la proposition 65 de l'État de Californie :

AVERTISSEMENT : Ce produit contient au moins un produit chimique connu par l'État de Californie pour être à l'origine de cancers.

AVERTISSEMENT : Ce produit contient au moins un produit chimique connu par l'État de Californie pour être à l'origine de malformations et autres déficiences de naissance.

Ce dispositif est conforme à la section 18 des règlements FCC.

Ce dispositif est conforme à la norme
ICES-001 d'Industrie Canada.

INSTRUCTIONS D'INSTALLATION

Déballage

1. Ôter du four à micro-ondes tous les matériaux d'emballage divers.
2. Nettoyer l'intérieur du four avec un chiffon doux humide.
3. Vérifier l'absence de dommages tels que :
 - porte qui n'est pas alignée correctement,
 - dommages autour de la porte, ou
 - bosses à l'intérieur ou à l'extérieur du four à micro-ondes.

En cas de dommage quelconque, ne pas faire fonctionner le four à micro-ondes avant qu'un technicien de service désigné n'ait vérifié le four et ait effectué les réparations nécessaires.

REMARQUE : Pour éviter d'endommager le four à micro-ondes, ne pas retirer le couvercle d'entrée micro-ondes. Voir la section "Pièces et caractéristiques".

Exigences d'emplacement

AVERTISSEMENT

Risque du poids excessif

Utiliser deux ou plus de personnes pour déplacer et installer le four à micro-ondes.

Le non-respect de cette instruction peut causer une blessure au dos ou d'autre blessure.

IMPORTANT : Le côté du four à micro-ondes où se trouvent les commandes est le plus lourd. Manipuler le four à micro-ondes délicatement. Le poids du four à micro-ondes est supérieur à 35 lb (15,9 kg).

- Placer le four à micro-ondes sur un chariot, un plan de travail, une table ou une tablette suffisamment solide pour supporter le four à micro-ondes ainsi que les aliments et ustensiles placés à l'intérieur.
- Le four à micro-ondes doit se trouver à une température supérieure à 50°F (10°C) pour un fonctionnement correct.

REMARQUE : Certains modèles peuvent être encastrés dans un mur ou un placard en utilisant l'une des trousses de garniture indiquées dans la section "Assistance ou service".

- Ne pas obstruer les conduits d'évacuation ou les ouvertures de prise d'air. Laisser quelques centimètres à l'arrière et le côté du four à micro-ondes à l'emplacement des conduits d'évacuation. L'obstruction des conduits d'évacuation peut entraîner des dommages au four à micro-ondes, de même que de médiocres résultats de cuisson.
- Veiller à ce que les pieds du four à micro-ondes soient bien en place pour assurer un flux d'air approprié. Si les conduits sont obstrués, un dispositif de sécurité thermique sensible peut commander l'extinction automatique du four à micro-ondes. Le four à micro-ondes devrait fonctionner correctement une fois refroidi.

Spécifications électriques

AVERTISSEMENT



Risque de choc électrique

Brancher sur une prise à 3 alvéoles reliée à la terre.

Ne pas enlever la broche de liaison à la terre.

Ne pas utiliser un adaptateur.

Ne pas utiliser un câble de rallonge.

Le non-respect de ces instructions peut causer un décès, un incendie ou un choc électrique.

Observer les dispositions de tous les codes et règlements en vigueur.

Nécessaire :

- Une alimentation électrique de 120 volts, 60 Hz, CA seulement, 15 ou 20 ampères, protégée par fusibles ou disjoncteur.

Recommandé :

- Un fusible temporisé ou un disjoncteur temporisé
- Un circuit distinct exclusif à ce four à micro-ondes

INSTRUCTIONS DE LIAISON À LA TERRE

■ Pour tout appareil ménager connecté par un cordon de courant électrique :

Il faut que le four à micro-ondes soit relié à la terre. En cas de court-circuit électrique, la liaison à la terre réduit le risque de choc électrique car le courant électrique dispose d'un itinéraire direct d'acheminement à la terre. Le four à micro-ondes est doté d'un cordon de courant électrique qui comporte un fil de liaison à la terre, avec broche de liaison à la terre. On doit brancher la fiche sur une prise de courant convenablement installée et reliée à la terre.

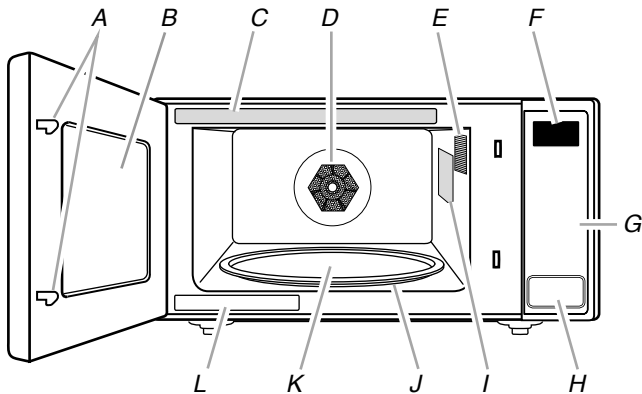
AVERTISSEMENT : L'utilisation incorrecte du dispositif de liaison à la terre peut susciter un risque de choc électrique. L'utilisateur qui ne comprend pas bien les instructions de liaison à la terre, ou qui n'est pas certain que le four à micro-ondes soit convenablement relié à la terre, devrait consulter un électricien ou un technicien qualifié.

Ne pas utiliser un câble de rallonge. Si le cordon de courant électrique est trop court, demander à un électricien ou un technicien qualifié d'installer une prise de courant à proximité du four à micro-ondes. Le cordon d'alimentation fourni est court pour réduire le risque de s'empêtrer ou de trébucher.

CONSERVEZ CES INSTRUCTIONS

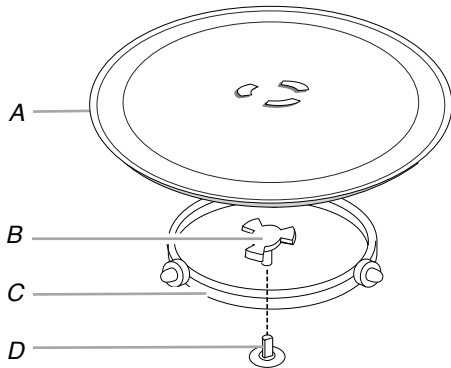
PIÈCES ET CARACTÉRISTIQUES

Ce manuel peut couvrir différents modèles. Le four que vous avez acheté peut avoir certaines ou toutes les caractéristiques énumérées. L'apparence des caractéristiques illustrées ici peut ne pas correspondre exactement à celle de votre modèle.



- | | |
|---|--|
| <p>A. Système de verrouillage de la porte</p> <p>B. Hublot</p> <p>C. Étiquette du guide de cuisson</p> <p>D. Élément de convection et ventilateur</p> <p>E. Lampe du four à micro-ondes</p> <p>F. Affichage</p> <p>G. Tableau de commande</p> <p>H. Bouton-poussoir d'ouverture de la porte</p> | <p>I. Couvercle - orifice d'introduction des micro-ondes</p> <p>J. Support amovible du plateau rotatif</p> <p>K. Plateau rotatif en verre</p> <p>L. Plaque signalétique</p> <p>Pièces et caractéristiques non illustrés :
 Élément de grill (sur le plafond de la cavité)</p> |
|---|--|

Plateau rotatif



- A. Plateau rotatif
 B. Axe
 C. Support
 D. Arbre

Le plateau rotatif tourne dans les deux sens pour permettre une cuisson plus uniforme. Pour les meilleurs résultats de cuisson, ne pas faire fonctionner le four à micro-ondes sans que le plateau rotatif ne soit en place. Voir la section "Assistance ou service" pour passer une nouvelle commande de pièces.

Installation :

1. Placer le support sur le fond de la cavité du four à micro-ondes.
2. Placer le plateau rotatif sur le support.

Insérer les protubérances arrondies au centre du dessous du plateau rotatif entre les trois rayons de l'axe. Les roulettes sur le support devraient se loger à l'intérieur du pourtour cranté du dessous du plateau rotatif.

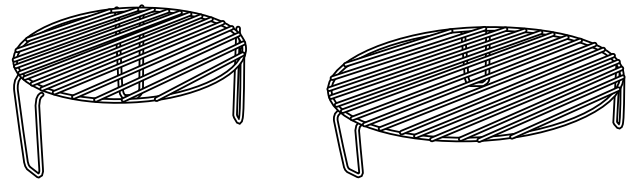
Élément du grill

Le four à micro-ondes utilise un élément de chauffage Calrod pour la cuisson au grill. La cavité du four à micro-ondes et la porte deviennent chaudes. L'utilisation de mitaines est recommandée.

Élément de cuisson par convection et ventilateur

Le système de cuisson par convection du four à micro-ondes est composé d'un élément de convection, qui chauffe en conjonction avec le ventilateur de convection pour une véritable cuisson par convection. Le système de cuisson par convection est incrusté dans la paroi de la cavité du four à micro-ondes, derrière la grille. Voir la section "Pièces et caractéristiques". La cavité du four à micro-ondes et la porte deviennent chaudes. L'utilisation de mitaines est recommandée.

Grilles de cuisson au grill et par convection

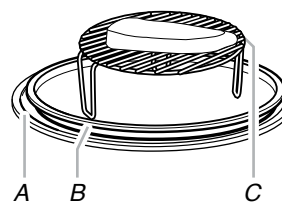


La grande grille de cuisson au grill est conçue spécialement pour la cuisson au grill dans le four à micro-ondes. Voir la section "Cuisson au grill". Placer la grille solidement sur un plat, puis placer le plat sur le plateau rotatif et disposer les aliments sur la grille de cuisson au grill. Voir la section "Assistance ou service" pour commander des pièces de rechange. Voir la section "Nettoyage général" pour les instructions de nettoyage.

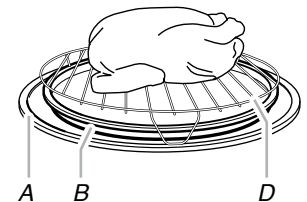
La petite grille de cuisson par convection est conçue pour être utilisée en conjonction avec l'élément et le ventilateur de convection pour une véritable cuisson par convection. Voir les sections "Cuisson au four par convection" et "Rôtissage par convection". Placer solidement la grille de cuisson par convection sur le plateau rotatif, puis disposer le plat avec les aliments sur la grille. Si les aliments sont placés directement sur la grille, un plat peut être placé sous la grille pour récupérer les renversements. Voir la section "Assistance ou service" pour commander des pièces de rechange. Voir la section "Nettoyage général" pour les instructions de nettoyage.

Configurations des accessoires

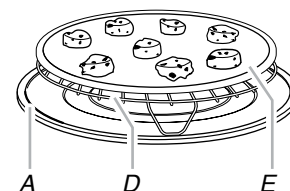
Cuisson au grill



Rôtissage

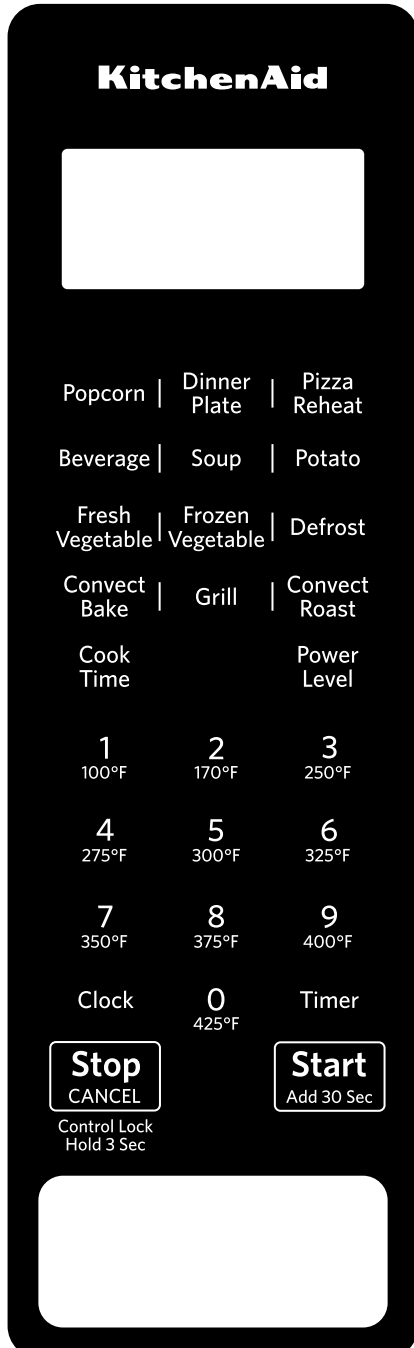


Cuisson au four



- | | |
|--|--|
| <p>A. Plateau rotatif</p> <p>B. Plat (non fourni)</p> <p>C. Grille de cuisson au grill</p> | <p>D. Grille de cuisson par convection</p> <p>E. Tôle à biscuits (non fournie)</p> |
|--|--|

TABLEAU DE COMMANDE DU FOUR À MICRO-ONDES



Affichage

Lors de la mise sous tension initiale du four à micro-ondes, "0:00" apparaît sur l'affichage. Si "0:00" apparaît sur l'affichage à tout autre moment, cela signifie qu'une panne de courant s'est produite. Régler de nouveau l'horloge si nécessaire. Voir la section "Horloge".

Lorsque le four à micro-ondes est utilisé, l'affichage indique la durée de cuisson restante. Lorsque le four à micro-ondes n'est pas utilisé, l'affichage indique l'heure (si l'horloge est réglée) ou le compte à rebours de la minuterie (si la minuterie est réglée).

Mise en marche

La touche Start (mise en marche) active n'importe quelle fonction. Si la cuisson sans détection est interrompue par l'ouverture de la porte, appuyer sur START (mise en marche) pour poursuivre le programme.

REMARQUE : Pour éviter l'utilisation involontaire du four à micro-ondes, il est impossible de lancer une fonction de cuisson si la porte du four à micro-ondes a été fermée pendant environ 5 minutes. Le mot "door" (porte) apparaît sur l'affichage jusqu'à ce que l'on ouvre puis referme la porte.

Ajouter 30 secondes

La touche Start Add 30 Sec (mise en marche ajouter 30 secondes) déclenche automatiquement la mise en marche du four à micro-ondes à sa puissance maximale pendant 30 secondes. Elle ajoute ensuite 30 secondes de temps de cuisson à chaque pression supplémentaire sur la touche.

On peut prolonger le temps de cuisson d'un programme manuel par tranches de 30 secondes tout en conservant le même niveau de puissance en appuyant sur START ADD 30 SEC (mise en marche ajouter 30 secondes) durant la cuisson.

REMARQUE : Pour éviter l'utilisation involontaire du four à micro-ondes, il est impossible de lancer une fonction de cuisson si la porte du four à micro-ondes a été fermée pendant environ 5 minutes. Le mot "door" (porte) apparaît sur l'affichage jusqu'à ce que l'on ouvre puis referme la porte.

Arrêter annuler

La touche Stop Cancel (arrêt annulation) permet d'effacer toute commande invalide et d'annuler n'importe quel programme durant une cuisson. Cette fonction n'effacera pas l'heure.

Le four à micro-ondes s'arrête également lorsqu'on ouvre la porte. Fermer la porte et appuyer sur START (mise en marche) pour reprendre le programme.

La touche Stop Cancel (arrêt annulation) est également utilisée pour verrouiller et déverrouiller le tableau de commande Voir la section "Verrouillage des commandes".

Signaux sonores

Les signaux sonores peuvent être désactivés.

Pour désactiver/activer les signaux de fin de programme, de fin de la minuterie et de rappel : Avec la porte du four à micro-ondes ouverte, appuyer sur la touche numérique “3” pendant environ 3 secondes jusqu’à ce qu’un signal sonore retentisse.

Pour désactiver/activer tous les signaux sonores : Avec la porte ouverte, appuyer sur la touche numérique “2” pendant 3 secondes.

Ces signaux sonores indiquent ce qui suit :

Un seul signal sonore

- Entrée valide
- Verrouillage des commandes activé ou désactivé
- Fin d’étape pour la cuisson par étapes

Deux signaux sonores

- Fin du préchauffage de la cuisson au four par convection

Trois signaux sonores

- Fin du compte à rebours de la minuterie

Cinq signaux sonores

- Fin du programme de cuisson
- Signaux de rappel émis à intervalles de 1 minute après les signaux sonores de fin de programme et de fin de la minuterie

Horloge

Il s’agit d’une horloge classique de 12 heures (12:00 - 11:59). L’horloge ne peut pas être effacée. Si l’horloge n’est pas réglée, “0:00” restera sur l’affichage lorsque le four à micro-ondes n’est pas en usage.

Réglage :

Le four à micro-ondes et la minuterie doivent être éteints.

1. Appuyer sur CLOCK (horloge).
2. Appuyer sur les touches numériques pour entrer l’heure correcte.
3. Appuyer sur CLOCK (horloge).

Minuterie

La minuterie peut être réglée en minutes et secondes jusqu’à 99 minutes et 99 secondes et procède à un compte à rebours de la durée réglée.

REMARQUE : La minuterie ne met pas en marche et n’arrête pas le four à micro-ondes.

Les fonctions de cuisson peuvent être utilisées alors que la minuterie procède au compte à rebours. Lorsque la fonction de cuisson est activée sur l’affichage, appuyer sur TIMER (minuterie) pour visualiser le compte à rebours de la minuterie pendant environ 5 secondes.

Réglage :

1. Appuyer sur TIMER (minuterie).
2. Appuyer sur les touches numériques pour entrer la durée désirée.
3. Appuyer sur START (mise en marche).
Lorsque la durée réglée est atteinte, “End” (fin) apparaît sur l’affichage et les signaux de fin du compte à rebours de la minuterie sont émis.
4. Appuyer sur STOP CANCEL (arrêt annulation) alors que le compte à rebours de la minuterie est actif sur l’affichage pour annuler la minuterie.

Langue

La langue par défaut est l’anglais, mais elle peut être changée vers le français. Deux messages qui s’affichent par défaut d’une certaine manière s’afficheront alors différemment : “End” (anglais) ou “Fin” (français), et “door” (anglais) ou “PrtE” (“porte” - français).

Pour changer la langue vers le français : Avec la porte du four à micro-ondes ouverte, appuyer sur la touche numérique “1” pendant environ 3 secondes jusqu’à ce qu’un signal sonore retentisse. Répéter pour revenir à l’anglais. Le réglage de la langue choisie est conservé après une panne de courant.

Mode d’entrée du poids

Le mode d’entrée du poids par défaut pour le programme de décongélation est réglé sur le système impérial (en livres) mais il peut être changé pour le système métrique (en grammes). Ce réglage n’affecte aucun autre programme à part le programme de décongélation. Voir la section “Décongélation”.

Pour entrer le poids avec le système métrique : Avec la porte du four à micro-ondes ouverte, appuyer sur la touche numérique 0 pendant environ 3 secondes jusqu’à ce qu’un signal sonore retentisse. Répéter pour revenir au système impérial. Le réglage du système choisi est conservé après une panne de courant.

Verrouillage des commandes

Le verrouillage des commandes désactive les touches du tableau de commande pour empêcher l’utilisation involontaire du four à micro-ondes.

Pour verrouiller/déverrouiller les commandes : Le four à micro-ondes doit être arrêté. Appuyer en maintenant sur STOP CANCEL (arrêt annulation) pendant environ 3 secondes jusqu’à l’émission du signal sonore et l’affichage d’une icône de verrouillage des commandes. Répéter pour déverrouiller.

Si l’on appuie sur une touche de commande alors que le verrouillage des commandes est actif, les commandes ne répondent pas.

UTILISATION DU FOUR À MICRO-ONDES

Un magnétron dans le four à micro-ondes produit des micro-ondes qui rebondissent de la base, des parois et de la voûte en métal et qui passent à travers le plateau rotatif et les ustensiles de cuisson appropriés pour atteindre l'aliment. Les micro-ondes sont attirées et absorbées par le gras, le sucre et les molécules d'eau dans les aliments et font déplacer ces molécules, en produisant une friction et une chaleur qui fait cuire les aliments.

- Pour éviter d'endommager le four à micro-ondes, ne pas s'appuyer ou laisser les enfants se balancer sur la porte du four à micro-ondes.
- Pour éviter d'endommager le four à micro-ondes, ne pas faire fonctionner le four à micro-ondes à vide.
- Les biberons et les petits pots d'aliments pour bébés ne doivent pas être chauffés dans le four à micro-ondes.
- Les vêtements, fleurs, fruits, herbes, gourdes, le bois, le papier - y compris les sacs en papier brun et les journaux - ne doivent pas être séchés dans le four à micro-ondes.
- La paraffine ne fondra pas dans le four à micro-ondes car elle n'absorbe pas les micro-ondes.
- Utiliser des mitaines de four ou des maniques lors de l'enlèvement de contenants du four à micro-ondes.
- Ne pas faire cuire les pommes de terre excessivement. À la fin de la durée de cuisson recommandée, les pommes de terre devraient être légèrement fermes. Laisser les pommes de terre reposer pendant 5 minutes. Elles achèveront de cuire pendant cette période.
- Ne pas faire cuire ou réchauffer des oeufs entiers avec leur coquille. La vapeur accumulée dans les oeufs entiers pourrait les faire éclater, ce qui exigerait le nettoyage significatif de la cavité du four à micro-ondes. Recouvrir les oeufs pochés et les laisser reposer.

Caractéristiques des aliments

Lors de la cuisson au four à micro-ondes, la quantité, la taille, la forme, la température de début, la composition et la densité de l'aliment affectent les résultats de cuisson.

Quantité d'aliments

Les quantités plus grandes d'aliments nécessitent des durées de cuisson plus longues. Vérifier le degré de cuisson et prolonger légèrement la durée si nécessaire.

Taille et forme

Des morceaux plus petits d'aliments cuiront plus vite que les gros morceaux, et les aliments uniformes cuiront plus également que les aliments de forme irrégulière.

Température de début

Les aliments à température ambiante chaufferont plus vite que les aliments réfrigérés, et les aliments réfrigérés chaufferont plus vite que les aliments congelés.

Composition et densité

Les aliments à haute teneur en gras et en sucre atteindront une température plus élevée et chaufferont plus vite que les autres. Les aliments lourds et denses, tels que la viande et les pommes de terre, nécessitent un temps de cuisson plus long qu'un aliment de la même taille, léger et poreux tel que les gâteaux.

Guide de cuisson

Recouvrement

Le recouvrement des aliments aide à retenir l'humidité, réduire le temps de cuisson et réduire les éclaboussures. Utiliser le couvercle fourni avec l'ustensile de cuisson. S'il n'y a pas de couvercle disponible, du papier paraffiné, un essuie-tout ou une pellicule de plastique approuvée pour les micro-ondes peuvent être utilisés. La pellicule de plastique doit être retournée à un coin pour fournir une ouverture à l'échappement de la vapeur. La condensation sur les surfaces de la porte et de la cavité est normale pendant une cuisson intense.

Remuer et tourner

Remuer et tourner les aliments permet de redistribuer la chaleur de manière égale pour éviter la cuisson excessive des bords des aliments. Mélanger de l'extérieur vers le centre. Si possible, retourner les aliments de haut en bas.

Disposition

S'il s'agit d'aliments de forme irrégulière ou de dimensions différentes, les parties plus minces et les morceaux plus petits doivent être disposés près du centre. Si l'on cuit plusieurs aliments de même taille et de même forme, les placer en cercle, en laissant le centre du cercle vide.

Dégagement de la pression

Avant le chauffage, utiliser une fourchette ou un petit couteau pour percer les aliments qui ont une peau ou une membrane, tels que les pommes de terre, jaunes d'oeufs, foies de poulet, hot dogs et saucisses. Percer en plusieurs endroits pour laisser échapper la vapeur.

Protection

Utiliser du papier d'aluminium en petits morceaux plats pour protéger les parties minces d'aliments de forme irrégulière, les os, et des aliments tels que les ailes et pilons de poulet et les queues de poisson. Voir en premier "Papier d'aluminium et métal".

Temps de repos

Les aliments continueront à cuire par la conduction naturelle de la chaleur même lorsque le programme de micro-ondes sera terminé. La durée du temps de repos dépend du volume et de la densité de l'aliment.

Ustensiles de cuisson et vaisselle

Les ustensiles de cuisson et la vaisselle doivent pouvoir être placés sur le plateau rotatif. Toujours utiliser des mitaines de four ou des maniques lors de la manipulation parce que tout plat peut devenir chaud à cause de la chaleur transmise par les aliments. Ne pas utiliser des ustensiles de cuisson ou de la vaisselle avec une garniture en or ou en argent. Utiliser le tableau suivant comme guide, ensuite faire un test avant l'utilisation.

Matériau	Recommandations
Papier d'aluminium, métal	Voir la section "Papier d'aluminium et métal".
Plat brunisseur	La base doit être au moins à $\frac{3}{16}$ " (5 mm) au-dessus du plateau rotatif. Suivre les recommandations du fabricant.
Vitrocéramique, verre	Peut être utilisé
Porcelaine, faïence	Suivre les recommandations du fabricant.
Mélatamine	Suivre les recommandations du fabricant.
Papier : essuie-tout, vaisselle, serviettes de table	Utiliser des produits non recyclés et ceux qui sont approuvés par le fabricant pour utilisation au four à micro-ondes.
Plastique : pellicule, sacs, couvercles, vaisselle, contenants	Utiliser des produits approuvés par le fabricant pour utilisation au four à micro-ondes.
Poterie et argile	Suivre les recommandations du fabricant.
Ustensile de cuisson au four en silicone	Suivre les recommandations du fabricant.
Paille, osier, contenants en bois	Ne pas utiliser au four à micro-ondes.
Papier paraffiné	Peut être utilisé

Pour tester l'ustensile de cuisson ou la vaisselle pour utilisation au four à micro-ondes :

1. Placer l'ustensile de cuisson ou la vaisselle dans le four à micro-ondes avec 1 tasse (250 mL) d'eau à côté de l'article.
2. Faire cuire à la puissance de cuisson maximale pendant 1 minute.

Ne pas utiliser cet ustensile de cuisson ou cet article de vaisselle s'il devient chaud alors que l'eau demeure froide.

Papier d'aluminium et métal

Toujours utiliser des mitaines de four ou des maniques pour enlever des plats du four à micro-ondes.

Le papier d'aluminium et certains métaux peuvent être utilisés dans le four à micro-ondes. Si ces articles ne sont pas bien utilisés, des arcs (un éclair bleu) peuvent survenir et causer des dommages au four à micro-ondes.

Utilisation possible

Les grilles et les ustensiles de cuisson au four fournis avec le four à micro-ondes (sur certains modèles), le papier d'aluminium pour protection et les thermomètres à viande approuvés peuvent être utilisés avec les précautions suivantes :

- Pour éviter d'endommager le four à micro-ondes, ne pas laisser le papier d'aluminium ou le métal toucher les parois, le plafond ou le fond de la cavité intérieure.
- Toujours utiliser le plateau rotatif.
- Pour éviter d'endommager le four à micro-ondes, ne pas permettre un contact avec un autre objet en métal durant la cuisson.

Utilisation à éviter

Les ustensiles de cuisson et de cuisson au four en métal, l'or, l'argent, l'étain, les thermomètres à viande non approuvés, les brochettes, les attaches, les doublures de papier d'aluminium telles que les enveloppes à sandwich, les agrafes et objets avec garniture en or ou en argent ou avec un enduit métallique ne doivent pas être utilisés dans le four à micro-ondes.

Pour utilisation avec l'élément du gril

Utiliser la grande grille de cuisson au gril fournie avec un plat de cuisson au four pour récupérer les débordements.

Pour utilisation avec le système de cuisson par convection

Utiliser la petite grille de cuisson par convection fournie et un plat de cuisson au four pour la cuisson par convection.

Utiliser la petite grille de cuisson par convection fournie et un plat de cuisson au four résistant au four à micro-ondes pour le rôtissage par convection.

Puissance de cuisson des micro-ondes

De nombreuses recettes de four à micro-ondes précisent quelle puissance de chauffage doit être utilisée par pourcentage ou nom. Par exemple, PL7 = 70 % = Moyenne-élevée.

Pour voir la puissance de cuisson durant un programme de cuisson, appuyer sur POWER LEVEL (niveau de puissance). L'affichage indique brièvement le niveau de puissance actuel puis retourne au décompte de la cuisson.

Utiliser le tableau suivant comme guide général pour la puissance de cuisson suggérée pour les aliments spécifiques.

Pourcentage/Nom	Utilisation
100 %, Élevée, PL10 (réglage par défaut)	Chauffage rapide d'aliments minute et d'aliments à haute teneur en eau, tels que les soupes, les boissons et la plupart des légumes
90 %, PL9	Cuisson de petits morceaux tendres de viande, viande hachée, morceaux de volaille, filets de poisson Réchauffage de soupes en crème
80 %, PL8	Réchauffage de riz, pâtes ou mets en sauce remuables Cuisson et réchauffage d'aliments qui ont besoin d'une puissance de chauffage inférieure à la puissance élevée. Par exemple, poisson entier et pain de viande
70 %, Moyenne-élevée, PL7	Réchauffage d'une seule portion d'aliments
60 %, PL6	Cuisson d'aliments sensibles tels que les mets à base d'oeufs et de fromage, pudding et crèmes anglaises Cuisson de mets en sauce non remuables tels que les lasagnes
50 %, Moyenne, PL5	Cuisson de jambon, de volaille entière et de morceaux de viande à braiser Mijotage de ragoûts
40 %, PL4	Pour faire fondre le chocolat Chauffage du pain, de petits pains et pâtisseries
30 %, Moyenne-faible, Décongélation, PL3	Décongélation de pain, poisson, viandes, volaille et aliments pré-cuits
20 %, PL2	Ramollir le beurre, le fromage et la crème glacée
10 %, Faible, PL1	Mettre les fruits à température ambiante

Cuisson manuelle

REMARQUE : Pour cuire au maximum de la puissance, appuyer d'abord sur les touches numériques pour entrer la durée de cuisson puis appuyer sur START (mise en marche).

Utilisation :

- Placer les aliments sur le plateau rotatif et fermer la porte.
- Appuyer sur COOK TIME (durée de cuisson).
"00:00" apparaît sur l'affichage. Entrer la durée de cuisson.
En cas de cuisson à la puissance maximale, passer à l'étape 4.
- Appuyer sur POWER LEVEL (niveau de puissance).
Le niveau de puissance par défaut PL10 apparaît sur l'affichage. Entrer le niveau de puissance désiré. Voir la section "Puissance de cuisson des micro-ondes".
- Appuyer sur START (mise en marche).
À la fin du programme, "End" (fin) apparaît sur l'affichage, et les signaux de fin de programme sont émis.
- Appuyer sur STOP CANCEL (arrêt annulation) ou ouvrir la porte pour effacer l'affichage.

Cuisson par étapes

Le four à micro-ondes peut être réglé pour cuire à différentes puissances pendant diverses durées, en 2 étapes maximum, dont l'une peut correspondre à une étape de décongélation. Voir la section "Décongélation" pour régler la phase de décongélation.

REMARQUE : Si l'on programme une étape de décongélation, le programme débutera par cette étape.

Cuisson par étapes :

- Placer les aliments sur le plateau rotatif et fermer la porte.
- Appuyer sur COOK TIME (durée de cuisson).
"00:00" apparaît sur l'affichage. Entrer la durée de cuisson durant la première étape.
- Appuyer sur POWER LEVEL (niveau de puissance), puis entrer la puissance de cuisson désirée pour la première étape. Voir la section "Puissance de cuisson des micro-ondes".
- Répéter les étapes 2 et 3 pour la deuxième étape.
- Appuyer sur START (mise en marche).
Un signal sonore est émis entre les étapes.
À la fin du programme, "End" (fin) apparaît sur l'affichage, et les signaux de fin de programme sont émis.
- Appuyer sur STOP CANCEL (arrêt annulation) ou ouvrir la porte pour effacer l'affichage.

La durée de cuisson peut être prolongée par tranches de 30 secondes durant l'étape en cours en appuyant sur START ADD 30 SEC (mise en marche ajouter 30 secondes).

Cuisson par détection

Un capteur dans le four à micro-ondes détecte l'humidité dégagée par l'aliment au fur et à mesure qu'il chauffe et règle automatiquement la durée de cuisson en conséquence.

Plusieurs programmes de détection nécessitent de couvrir les aliments. On recommande l'utilisation de contenants ou de cuiseurs à vapeur adaptés aux micro-ondes avec couvercle non hermétique. Le couvercle non hermétique permettra l'évacuation de vapeur en quantité suffisante pour être détectée par le capteur. Lorsqu'on recouvre les aliments de pellicule plastique, s'assurer de laisser une ouverture d'aération suffisamment grande pour permettre à la vapeur de s'échapper.

"SC" (cuisson par détection) apparaît sur l'affichage pendant la cuisson par détection.

REMARQUES :

- Le four à micro-ondes doit être branché pendant au moins 3 minutes.
- La cavité du four à micro-ondes et l'extérieur du contenant de cuisson doivent être secs.
- La température ambiante ne doit pas être supérieure à 95°F (35°C).
- Si la porte est ouverte pendant que le capteur détecte l'humidité (pendant que "SC" apparaît sur l'affichage), la détection s'arrête et le programme est annulé.

Menu (avec/sans détection)

Les éléments de menu suivants sont préprogrammés pour une cuisson/un réchauffage facile.

Pour plus de commodité, les quantités disponibles/recommandées indiquées dans le tableau suivant sont indiquées sur l'étiquette du guide de cuisson (voir la section "Pièces et caractéristiques" pour connaître son emplacement).

Article de menu	Quantité par portion	Instructions
POPCORN (maïs éclaté) (sans détection)	3,3 oz (94 g) 3,0 oz (85 g) 1,75 oz (50 g)	<ul style="list-style-type: none"> ■ Pour éviter d'endommager le four à micro-ondes, ne pas utiliser de sacs de papier ordinaire ou d'articles en verre. ■ Ne préparer qu'un sac à la fois. ■ Suivre les instructions du fabricant lors de l'utilisation d'un éclateur de maïs au micro-ondes. ■ Pour les meilleurs résultats, ne pas essayer de faire éclater les grains qui n'ont pas éclaté. ■ Utiliser des sacs de maïs à éclater frais pour des résultats optimaux. ■ Les résultats de cuisson peuvent varier en fonction de la marque et de la teneur en matières grasses. Pour des sacs dont les dimensions ne figurent pas dans cette section, suivre les indications de l'emballage. <p>REMARQUE : Pendant la fonction Maïs éclaté, comme avec toutes les fonctions de cuisson du micro-ondes, on doit toujours suivre la cuisson du four à micro-ondes. Attendre que l'éclatement ralentisse à 1 éclatement toutes les 1 ou 2 secondes, puis mettre fin au programme.</p>
PIZZA REHEAT (réchauffage de pizza) (sans détection)	1 à 3 tranches, 3 oz (85 g) chacune, réfrigérée	Placer les tranches de pizza sur une assiette pouvant aller au four à micro-ondes recouverte d'un essuie-tout au centre du plateau rotatif.
BEVERAGE (boisson) (sans détection, réchauffage)	1 ou 2 tasses, 8 oz (250 mL) chacune	Ne pas couvrir. Le diamètre de l'ouverture de la tasse affectera le mode de chauffage du liquide. Les boissons dans des tasses avec ouverture plus petite peuvent chauffer plus rapidement.
SOUP (soupe) (sans détection)	1 à 4 tasses (250 mL à 1 L)	Les placer dans un contenant pour micro-ondes. Recouvrir d'une pellicule de plastique, et laisser une ouverture d'échappement de l'air.* Remuer et laisser reposer 2 à 3 minutes après cuisson.
POTATO (pomme de terre) (sans détection)	1 à 4 pommes de terre, 10 oz (283 g) chacune	Percer plusieurs fois chaque pomme de terre avec une fourchette. Les placer sur de l'essuie-tout, sur le pourtour du plateau rotatif, à au moins 1" (2,5 cm) les unes des autres. S'il n'y a qu'une pomme de terre, la placer sur un côté du plateau rotatif. À la fin de la cuisson, les laisser reposer pendant 5 minutes.
DINNER PLATE (assiettée) (avec détection, réchauffage)	10 à 16 oz (283 à 454 g), réfrigérée	Placer les aliments sur une assiette pour micro-ondes. Recouvrir d'une pellicule de plastique, et laisser une ouverture d'échappement de l'air.* Laisser reposer 2 à 3 minutes après réchauffage.
FRESH VEGETABLE (légumes frais) (avec détection)	1 à 4 tasses (250 mL à 1 L)	Les placer dans un contenant pour micro-ondes, et ajouter 2 à 4 c. à soupe (30 à 60 mL) d'eau. Recouvrir d'une pellicule de plastique, et laisser une ouverture d'échappement de l'air.* Remuer et laisser reposer 2 à 3 minutes après cuisson.
FROZEN VEGETABLE (légumes surgelés) (avec détection)	1 à 4 tasses (250 mL à 1 L)	Les placer dans un contenant pour micro-ondes. Recouvrir d'une pellicule de plastique, et laisser une ouverture d'échappement de l'air.* Remuer et laisser reposer 2 à 3 minutes après cuisson.

* En couvrant les aliments, s'assurer que l'ouverture d'échappement de l'air est suffisante pour laisser l'humidité s'échapper. Ceci permettra au capteur de déterminer précisément la durée de cuisson.

Utilisation du Menu (sans détection), (Popcorn [maïs éclaté], Pizza Reheat [réchauffage de pizza], Beverage [boisson], Soup [soupe], Potato [pomme de terre]) :

1. Placer les aliments sur le plateau rotatif, et fermer la porte.
2. Appuyer sur la commande du menu souhaité.
La première quantité programmée apparaît sur l'affichage. Appuyer sur la touche de commande à plusieurs reprises ou sur les touches numériques pour choisir la quantité. Voir le tableau.
3. Appuyer sur START (mise en marche).
À la fin du programme, "End" (fin) apparaît sur l'affichage, et les signaux de fin de programme sont émis.
4. Appuyer sur STOP CANCEL (arrêt annulation) ou ouvrir la porte pour effacer l'affichage.

Utilisation du Menu (avec détection), (Dinner Plate [assiettée], Fresh Vegetable [légumes frais], Frozen Vegetable [légumes surgelés]) :

1. Placer les aliments sur le plateau rotatif, et fermer la porte.
2. Appuyer sur la commande de menu souhaité.
"SC" (cuisson par détection) apparaît sur l'affichage.
3. Appuyer sur START (mise en marche).
Le four à micro-ondes démarre et la cuisson par détection commence. "SC" reste affiché jusqu'à ce que le capteur détermine le temps de cuisson restant.
À la fin du programme, "End" (fin) apparaît sur l'affichage, et les signaux de fin de programme sont émis.
4. Appuyer sur STOP CANCEL (arrêt annulation) ou ouvrir la porte pour effacer l'affichage.

Cuisson au gril

La fonction de cuisson au gril utilise un élément de chauffage Calrod à chauffage rapide pour griller de nombreux types d'aliments.

- Utiliser la grille de cuisson au gril pour placer l'aliment plus près de l'élément de cuisson au gril pour une cuisson plus rapide.
- L'utilisation de l'élément de cuisson au gril rend la cavité du four à micro-ondes et la porte très chaudes. L'utilisation de mitaines est recommandée.
- Utiliser un plat de cuisson au four pour récupérer les renversements.
- La grille de cuisson au gril et le plat deviennent très chauds. Utiliser des mitaines de four pour retirer les plats. Afin d'éviter tout dommage, ne pas placer le plat brûlant directement sur des surfaces non-résistantes à la chaleur.
- Le plateau rotatif doit être en place lors de l'utilisation de la grille de cuisson au gril.
- Pour de meilleurs résultats, appliquer une mince couche d'huile de cuisson sur la grille de cuisson au gril.

Exemples de durées de cuisson au gril

Toast	5-5½ minutes
Bifteck de surlonge, 1 lb (454 g), ¾" (1,9 cm) épais, cuisson à point	1er côté : 15 minutes 2ème côté : 10 minutes

Utilisation :

1. Placer la grille solidement sur le plat, puis placer la grille et le plat sur le plateau rotatif. Placer ensuite les aliments sur la grille et fermer la porte.
2. Appuyer sur GRILL (cuisson au gril).
"00:00" apparaît sur l'affichage. Entrer la durée de cuisson au gril en minutes et en secondes.
3. Appuyer sur START (mise en marche).
L'affichage présente le compte à rebours de la durée de cuisson au gril.
Lorsqu'environ la moitié du programme est accomplie, un signal sonore retentit. Il fait office de rappel indiquant à l'utilisateur qu'il peut retourner les aliments si désiré.
Lorsque le programme est terminé, "End" (fin) apparaît sur l'affichage, et les signaux sonores de fin de programme retentissent.
4. Appuyer sur STOP CANCEL (arrêt annulation) ou ouvrir la porte pour effacer l'affichage.

Convection

Le système de cuisson par convection fait circuler de l'air chaud à travers la cavité du four à micro-ondes à l'aide d'un ventilateur. L'air constamment en mouvement entoure l'aliment pour chauffer rapidement la portion extérieure.

La fonction de cuisson au four par convection utilise uniquement le système de cuisson par convection.

La fonction de rôtissage par convection utilise le système de cuisson par convection en conjonction avec les micro-ondes pour une cuisson plus rapide.

- La cavité du four à micro-ondes et la porte deviennent chaudes durant le programme de convection. L'utilisation de mitaines est recommandée.
- Utiliser la petite grille de cuisson par convection fournie.
- Ne pas couvrir le plateau rotatif ou la grille de cuisson par convection avec du papier d'aluminium, car cela interfère avec la circulation de l'air chaud.
- Ne pas utiliser des contenants en plastique léger, des enveloppes en plastique ou des produits de papier. Tous les ustensiles de cuisine résistants au four ou les ustensiles en métal peuvent être utilisés lors de la cuisson au four par convection. (Les tôles à pizza circulaires sont d'excellents ustensiles de cuisson pour de nombreux articles de convection uniquement.) Les ustensiles métalliques ne peuvent pas être utilisés avec la fonction de rôtissage par convection.
- Aucune technique spéciale n'est requise pour adapter les recettes de four standard à la cuisson par convection, bien que certaines températures puissent avoir besoin d'être abaissées et certains temps de cuisson réduits.

Indicateur de la température de convection

Les dix barres situées en bas de l'affichage représentent la température actuelle du four à micro-ondes, ainsi que sa température prochaine. Chaque barre correspond à la température représentée sur chaque touche du pavé numérique, de 1 à 0 (10).

La barre correspondant au réglage de température désiré clignote. Lorsque le four à micro-ondes chauffe, chaque barre s'illumine lorsque la chaleur atteint la température correspondante. Lorsque la température désirée est atteinte, la barre clignotante se remplit. Si la température du four à micro-ondes descend en-deçà de la température réglée, la barre clignote jusqu'à ce que le four à micro-ondes chauffe à la température réglée.

Par exemple, si la température désirée est réglée à 375°F (191°C) (touche numérique "8"), la huitième barre clignote. Lorsque la température du four à micro-ondes atteint 100°F (38°C), la première barre s'illumine. Lorsque la température du four à micro-ondes atteint 170°F (77°C), la deuxième barre s'illumine, et ainsi de suite jusqu'à ce que la température désirée soit atteinte. À ce moment-là, la huitième barre cesse de clignoter et apparaît pleine.

Rôtissage par convection

La fonction de rôtissage par convection raccourcit la durée de cuisson des aliments dont la cuisson nécessite normalement beaucoup de temps. Elle alterne entre chauffage par convection et énergie des micro-ondes. La viande cuite par cuisson combinée est également juteuse à l'intérieur et croustillante à l'extérieur.

- La cavité du four à micro-ondes et la porte deviennent chaudes durant le programme de rôtissage par convection. L'utilisation de mitaines est recommandée.
- Afin d'éviter d'endommager le four à micro-ondes, ne pas utiliser de plats ou d'ustensiles de cuisson métalliques durant le programme de rôtissage par convection. Utiliser uniquement des ustensiles de cuisson au four résistants au four à micro-ondes.
- Les viandes peuvent être rôties directement sur la grille de convection. Utiliser un plat de cuisson au four résistant au four à micro-ondes pour récupérer les renversements.
- On peut rôtir et attendrir des tranches de boeuf plus durs à l'aide de sacs de cuisson.
- Contrôler le degré de cuisson à la fin de la durée de cuisson. Si la cuisson n'est pas complète, laisser reposer quelques minutes dans le four à micro-ondes pour achever la cuisson.

Exemples de durées de rôtissage par convection

Rôti de porc, 2 lb (907 g)	350°F (177°C) pour 50 minutes (environ 22-23 minutes/lb)
Poulet entier, 4 lb (1,8 kg) (sans les abats)	350°F (177°C) pour 1 H 10 (environ 18-20 minutes/lb)
Morceaux de poulet non désossés, 2 lb (907 g)	325°F (163°C) pour 40 minutes

Utilisation :

REMARQUE : La température par défaut est de 325°F (163°C), et la durée de rôtissage par défaut est d'une heure.

1. Placer les aliments sur la grille de cuisson par convection, puis placer la grille avec les aliments sur un plat, puis placer le plat avec la grille et les aliments sur le plateau rotatif et fermer la porte.

OU

Placer les aliments sur un plat, puis placer le plat sur la grille de cuisson par convection, puis placer la grille avec le plat et les aliments sur le plateau rotatif et fermer la porte.

2. Appuyer sur CONVECT ROAST (rôtissage par convection). "325" clignote sur l'affichage. Appuyer sur les touches numériques pour la température désirée si elle est différente de 325° (163°C). La fourchette de températures disponibles se situe entre 170°F (77°C) et 375°F (191°C).
Si la durée de rôtissage correspond à la durée par défaut de 1 heure, sauter l'étape 3.
3. Appuyer sur COOK TIME (durée de cuisson). "H0:00" apparaît sur l'affichage. Entrer la durée de rôtissage en heures et en minutes.

4. Appuyer sur START (mise en marche).

L'affichage présente le compte à rebours de la durée de rôtissage par convection.

Lorsque le programme est terminé, "End" (fin) apparaît sur l'affichage, et les signaux sonores de fin de programme retentissent.

5. Appuyer sur STOP CANCEL (arrêt annulation) ou ouvrir la porte pour effacer l'affichage.

Cuisson au four par convection

La fonction de cuisson au four par convection est idéale pour cuire des articles tels que les soufflés, pains, biscuits, gâteaux des anges, pizza et la plupart des mets en sauce.

- La cavité du four à micro-ondes et la porte deviennent chaudes durant le programme de cuisson au four par convection. L'utilisation de mitaines est recommandée.
- Utiliser des ustensiles de cuisson allant au four. Il est possible d'utiliser des ustensiles de cuisson métalliques seulement pendant le programme de cuisson par convection.
- Ce four à micro-ondes peut être préchauffé de la même manière qu'un four standard est préchauffé. (La plupart des recettes pour les aliments cuits au four exigent un préchauffage.)
- La température par défaut est de 350°F (177°C), et la durée de cuisson par défaut est d'une heure.

Exemples de durées de cuisson au four par convection

Biscuits	350°F (177°C) pour 10-13 minutes
Pain	350°F (177°C) pour 25-30 minutes
Pizza surgelée, pâte fine	400°F (204°C) pour 18-20 minutes
Pizza surgelée, pâte épaisse	400°F (204°C) pour 25 minutes

Pour utilisation sans préchauffage :

REMARQUE : Le signal sonore de fin du préchauffage retentit lorsque le four à micro-ondes a atteint la température désirée, mais aucune action n'est nécessaire.

1. Placer les plats d'aliments sur la grille de cuisson par convection, puis placer la grille avec les plats sur le plateau rotatif et fermer la porte.
2. Appuyer sur CONVECT BAKE (cuisson par convection). "350" clignote sur l'affichage. Appuyer sur les touches numériques pour la température désirée si elle est différente de 350° (177°C).
Si la durée de cuisson correspond à la durée par défaut de 1 heure, sauter l'étape 3..
3. Appuyer sur COOK TIME (durée de cuisson). "H0:00" apparaît sur l'affichage. Entrer la durée de cuisson en heures et en minutes.
4. Appuyer sur START (mise en marche).
L'affichage présente le compte à rebours de la durée de cuisson au four par convection.
Les signaux sonores de fin de préchauffage retentissent durant le compte à rebours.
Lorsque le programme est terminé, "End" (fin) apparaît sur l'affichage, et les signaux sonores de fin de programme retentissent.
5. Appuyer sur STOP CANCEL (arrêt annulation) ou ouvrir la porte pour effacer l'affichage.

Pour utilisation avec préchauffage :

1. Placer la grille de convection sur le plateau rotatif et fermer la porte.
2. Appuyer sur CONVECT BAKE (cuisson par convection).
"350" clignote sur l'affichage. Appuyer sur les touches numériques pour la température désirée si elle est différente de 350°F (177°C).
3. Appuyer sur START (mise en marche).
"H1:00" apparaît sur l'affichage, et le compte à rebours commence.
Lorsque la température de préchauffage est atteinte, 2 signaux sonores se font entendre.
4. Placer le plat d'aliments sur la grille de convection, et fermer la porte.
Si la durée de la cuisson par convection restante indiquée sur l'affichage est correcte, sauter l'étape 5.
5. Appuyer sur COOK TIME (durée de cuisson).
"H0:00" apparaît sur l'affichage. Entrer la durée de cuisson en heures et en minutes.
6. Appuyer sur START (mise en marche).
L'affichage présente le compte à rebours de la durée de cuisson au four par convection.
Lorsque le programme est terminé, "End" (fin) apparaît sur l'affichage, et les signaux sonores de fin de programme retentissent.
7. Appuyer sur STOP CANCEL (arrêt annulation) ou ouvrir la porte pour effacer l'affichage.

Décongélation

- Déballer les aliments et enlever les couvercles (des contenants à jus de fruit par exemple) avant la décongélation.
- Les paquets peu épais décongèlent plus rapidement que les blocs épais.
- Séparer les morceaux d'aliments le plus tôt possible durant ou à la fin du programme pour une décongélation plus uniforme.
- Utiliser de petits morceaux de papier d'aluminium pour protéger les aliments tels que les ailes et pilons de poulet et les queues de poisson. Voir d'abord la section "Papier d'aluminium et métal".

La caractéristique de décongélation comporte des durées et degrés de puissance de cuisson pré-réglés pour décongeler la viande, la volaille et le poisson au poids. Cette fonction ne doit pas être utilisée pour les aliments laissés à l'extérieur du congélateur pendant plus de 20 minutes ou pour les plats préparés surgelés. Utiliser le tableau suivant comme guide.

Aliments	Instructions
Viande <i>Boeuf (haché, steaks, rôti, ragoût)</i> <i>Agneau (ragoût et côtelettes)</i> <i>Porc (côtelettes, côtes, rôtis, saucisse)</i>	Les sections étroites ou grasses des morceaux de forme irrégulière doivent être recouvertes de papier d'aluminium avant la décongélation. Ne pas décongeler moins de 1/4 lb (113 g) ou 2 galettes de 4 oz (113 g). Placer toutes les viandes dans un plat de cuisson allant au micro-ondes. Ne pas couvrir.
Volaille <i>Poulet (entier et en morceaux)</i> <i>Poulets de Cornouailles</i> <i>Poitrine de dinde</i>	Placer dans un plat de cuisson allant au micro-ondes, la poitrine de poulet vers le haut. Ne pas couvrir.
Poisson <i>Filets</i> <i>Darnes</i> <i>Crustacé entier</i>	Placer dans un plat de cuisson allant au four à micro-ondes. Ne pas couvrir.

Utilisation de la fonction de décongélation :

1. Placer les aliments non couverts sur le plateau rotatif et fermer la porte.
2. Appuyer sur DEFROST (décongélation).
Entrer le poids en livres.
Le poids peut être réglé entre 0,3 lb et 6,3 lb (136 g et 2,86 kg).
REMARQUE : Entrer le poids en grammes si le mode d'entrée du poids est réglé sur le système métrique. Voir la section "Mode d'entrée du poids".
3. Appuyer sur START (mise en marche).
Le compte à rebours de la durée de décongélation s'affiche.
Si nécessaire, le programme peut être brièvement interrompu pour retourner les aliments en ouvrant la porte. Fermer la porte et appuyer sur START (mise en marche) pour reprendre le programme.
Lorsque le programme est terminé, "End" (fin) apparaît sur l'affichage, et les signaux de fin de programme retentissent.
4. Appuyer sur STOP CANCEL (arrêt annulation) ou ouvrir la porte pour effacer l'affichage.

Décongélation manuelle : Suivre les instructions de la section "Cuisson manuelle", et utiliser la puissance de cuisson à 30 %. Voir le tableau "Puissance de cuisson des micro-ondes".

ENTRETIEN DU FOUR À MICRO-ONDES

Nettoyage général

IMPORTANT : Avant le nettoyage, s'assurer que toutes les commandes sont désactivées et que le four à micro-ondes est froid. Toujours suivre les instructions sur l'étiquette des produits de nettoyage.

Le savon, l'eau et un linge doux ou une éponge sont suggérés à moins d'avis contraire.

CAVITÉ DU FOUR À MICRO-ONDES

Pour éviter d'endommager la cavité du four à micro-ondes, ne pas utiliser de tampons à récurer savonneux, de nettoyeurs abrasifs, de tampons en laine d'acier, de chiffons rugueux de lavage ou certains genres d'essuie-tout recyclés.

Pour éviter d'endommager les modèles en acier inoxydable, frotter dans le sens du grain.

La surface où la porte et le cadre du four à micro-ondes se touchent quand la porte est fermée doit être maintenue propre.

Saleté moyenne

- Savons et détergents doux, non abrasifs :
Rincer à l'eau propre et sécher avec un linge doux sans charpie.

Saleté intense

- Savons et détergents doux, non abrasifs :
Faire chauffer 1 tasse (250 mL) d'eau pendant 2 à 5 minutes dans le four à micro-ondes. La vapeur ramollira la saleté.
Rincer à l'eau propre et sécher avec un linge doux sans charpie.

Odeurs

- Jus de citron ou vinaigre :
Faire chauffer une tasse (250 mL) d'eau avec 1 c. à soupe (15 mL) de jus de citron ou de vinaigre pendant 2 à 5 minutes dans le four à micro-ondes.

Couvercle - orifice d'introduction des micro-ondes

Pour éviter la formation d'arcs et les dommages causés au four à micro-ondes, le couvercle - orifice d'introduction des micro-ondes (voir la section "Pièces et caractéristiques") doit être maintenu propre.

- Essuyer avec un chiffon humide.

PORTE DU FOUR À MICRO-ONDES ET EXTÉRIEUR

La surface où la porte et le cadre du four à micro-ondes se touchent quand la porte est fermée doit être maintenue propre.

- Savons et détergents doux, non abrasifs :
Rincer à l'eau propre et sécher avec un linge doux sans charpie.
- Nettoyeur à vitres et essuie-tout ou tampon à récurer en plastique non abrasif :
Appliquer le nettoyeur à vitres sur un linge, et non pas directement sur la surface.

Acier inoxydable (sur certains modèles)

Pour éviter d'endommager la porte et l'extérieur du four à micro-ondes, ne pas utiliser de tampons à récurer savonneux, nettoyeurs abrasifs, tampons en laine d'acier, chiffons de lavage rugueux ou certains essuie-tout. Frotter dans le sens du grain.

- Nettoyeur pour acier inoxydable (non inclus) :
Voir la section "Assistance ou service" pour soumettre une commande.
- Détergent liquide ou nettoyeur tout-usage :
Rincer à l'eau propre et sécher avec un linge doux sans charpie.
- Vinaigre pour les taches d'eau dure.

TABLEAU DE COMMANDE

- Éponge ou linge doux et eau :
Humecter l'éponge avec l'eau et essuyer le tableau. Sécher avec un linge doux.
- Pour éviter d'endommager le tableau de commande, ne pas utiliser de produits de nettoyage chimiques ou abrasifs.

PLATEAU ROTATIF

Remettre le plateau rotatif en place immédiatement après le nettoyage. Ne pas faire fonctionner le four à micro-ondes lorsque le plateau rotatif est enlevé.

- Nettoyeur doux et tampon à récurer
- Lave-vaisselle

GRILLES DE CONVECTION ET DE GRIL

Le nettoyage au lave-vaisselle n'est pas recommandé. Pour éviter d'endommager les grilles de convection et de cuisson au gril, ne pas utiliser de nettoyeurs abrasifs ou de tampons à récurer.

- Nettoyeur doux, eau et chiffon

DÉPANNAGE

Essayez d'abord les solutions suggérées ici. Pour obtenir de l'aide ou des conseils qui permettront peut-être d'éviter une intervention de dépannage, consulter la page de garantie de ce manuel et scanner le code QR avec votre appareil mobile, ou visiter le site Internet <http://kitchenaid.custhelp.com>. Au Canada, visiter le site <http://www.kitchenaid.ca>.

Vous pouvez adresser tous commentaires ou questions par courrier à l'adresse ci-dessous :

Aux É.-U :

KitchenAid Brand Home Appliances
Customer eXperience Center
553 Benson Road
Benton Harbor, MI 49022-2692

Au Canada :

KitchenAid Brand Home Appliances
Customer eXperience Centre
200 – 6750 Century Ave.
Mississauga, Ontario L5N 0B7

Veillez indiquer dans votre correspondance un numéro de téléphone où l'on peut vous joindre dans la journée.

Si vous rencontrez les problèmes suivants	Solutions recommandées
Rien ne fonctionne	Vérifier ce qui suit : <ul style="list-style-type: none">■ Fusible ou disjoncteur : Si un fusible est grillé ou que le disjoncteur s'est déclenché, remplacer le fusible ou réenclencher le disjoncteur. Si le problème persiste, appeler un électricien.■ Câblage du micro-ondes : Voir les Instructions d'installation fournies avec le four à micro-ondes.
Le four à micro-ondes ne fonctionne pas	Vérifier ce qui suit : <ul style="list-style-type: none">■ Magnétron : Faire chauffer une tasse (250 mL) d'eau froide pendant 2 minutes à la puissance de cuisson maximale. Si l'eau ne chauffe pas, essayer les étapes ci-dessous. Si le four à micro-ondes ne fonctionne toujours pas, faire un appel de service.■ Porte : Bien fermer la porte. Sur certains modèles, si une cale d'espacement est fixée à l'intérieur de la porte, la retirer puis bien fermer la porte. Si un message concernant la porte s'affiche, la porte a été fermée depuis au moins 5 minutes sans que le four à micro-ondes ait été mis en marche. Le but du message est d'éviter une mise en marche accidentelle du four à micro-ondes. Ouvrir et fermer la porte, puis démarrer le programme.■ Module de commande : Vérifier que la commande est réglée correctement. Vérifier que le verrouillage des commandes est désactivé. Vérifier que le mode Demo (sur certains modèles) est éteint.
Le four à micro-ondes bourdonne	<ul style="list-style-type: none">■ Ceci est normal et se produit lorsque l'alimentation électrique allume et éteint le magnétron par intermittence.
La porte du four à micro-ondes semble gondlée	<ul style="list-style-type: none">■ Ceci est normal et n'affecte pas la performance.
Le plateau rotatif ne fonctionne pas	Vérifier ce qui suit : <ul style="list-style-type: none">■ Plateau rotatif : S'assurer que le plateau rotatif est à l'endroit et repose bien sur son support. Voir la section "Plateau rotatif".■ Support du plateau rotatif : Retirer le plateau rotatif. Retirer et nettoyer l'axe du plateau rotatif, le support et les roulettes. Réinstaller l'axe, le support et le plateau rotatif. Placer 1 tasse (250 mL) d'eau sur le plateau rotatif, puis remettre le four à micro-ondes en marche. S'il ne fonctionne toujours pas, faire un appel de service. Voir la section "Garantie". Ne pas faire fonctionner le four à micro-ondes sans que le plateau rotatif et son support fonctionnent correctement.
Le plateau rotatif tourne dans les deux sens	<ul style="list-style-type: none">■ Ceci est normal et dépend de la rotation du moteur au début du programme.
Des messages s'affichent	<ul style="list-style-type: none">■ L'affichage clignotant "0:00" signifie qu'il y a eu une panne de courant. Régler à nouveau l'horloge.
L'afficheur montre le compte à rebours, mais le four à micro-ondes ne fonctionne pas	Vérifier ce qui suit : <ul style="list-style-type: none">■ Minuterie : Voir la section "Minuterie".
Les signaux sonores ne retentissent pas	Vérifier ce qui suit : <ul style="list-style-type: none">■ Signaux sonores : Voir la section "Signaux sonores".
Les durées de cuisson semblent trop longues	Vérifier ce qui suit : <ul style="list-style-type: none">■ Puissance de cuisson : Voir la section "Puissance de cuisson aux micro-ondes".■ Quantité d'aliments : Les quantités plus grandes d'aliments nécessitent des durées de cuisson plus longues.■ Tension : Faire vérifier le système électrique du domicile par un électricien qualifié.

Si vous rencontrez les problèmes suivants

Solutions recommandées

Une odeur se dégage du four à micro-ondes pendant la cuisson par convection et/ou la cuisson au grill

- Ceci est normal pour les quelques premiers programmes de cuisson par convection et/ou de cuisson au grill. L'odeur se dissipe après plusieurs utilisations.

Brouillage par la radio, le téléviseur, le téléphone sans fil, etc.

Vérifier ce qui suit :

- **Proximité** : Éloigner l'appareil du four à micro-ondes ou ajuster l'antenne de la radio ou du téléviseur. Si le four à micro-ondes est branché sur la même prise, essayer une autre prise pour l'appareil électronique.
- **Saleté** : Vérifier que la porte du four à micro-ondes et les surfaces d'étanchéité sont propres.
- **Fréquence** : Certains téléphones sans fil de 2,4 GHz et certains réseaux domestiques sans fil peuvent subir des parasites ou des bruits lorsque le four à micro-ondes est en marche. Utiliser un téléphone avec fil, un téléphone sans fil avec une fréquence différente ou éviter d'utiliser ces articles pendant le fonctionnement du four à micro-ondes.

ASSISTANCE OU SERVICE

Si vous avez besoin de service :

Consulter la page de garantie du présent manuel.

Si vous avez besoin de pièces de rechange

Si vous avez besoin de commander des pièces de rechange, nous vous recommandons d'utiliser seulement des pièces spécifiées par l'usine. Ces pièces spécifiées par l'usine conviendront et fonctionneront bien parce qu'elles sont fabriquées selon les mêmes spécifications précises utilisées pour fabriquer chaque nouvel appareil KitchenAid®.

Pour savoir où trouver des pièces spécifiées par l'usine dans votre région, nous appelons ou contactons le centre de service désigné par KitchenAid® le plus proche.

Aux É.-U.

Téléphoner sans frais au Centre pour l'eXpérience de la clientèle au : **1-800-422-1230** ou visiter notre site internet sur www.kitchenaid.com.

Nos consultants peuvent vous aider sur les points suivants :

- Programmation d'une intervention de dépannage. Les techniciens de service désignés par la gamme des appareils électroménagers KitchenAid® sont formés pour remplir la garantie des produits et fournir un service après garantie partout aux États-Unis.
- Caractéristiques et spécifications de notre gamme complète d'appareils ménagers.
- Références aux revendeurs KitchenAid® locaux.
- Renseignements sur l'installation.
- Procédés d'utilisation et d'entretien.
- Vente d'accessoires et de pièces de rechange.
- Assistance spécialisée au client (langue espagnole, malentendants, malvoyants, etc.).

Pour plus d'assistance :

Si vous avez besoin de plus d'assistance, vous pouvez écrire à KitchenAid en soumettant toute question ou problème à :

KitchenAid Brand Home Appliances
Customer eXperience Center
553 Benson Road
Benton Harbor, MI 49022-2692

Veuillez indiquer dans votre correspondance un numéro de téléphone où l'on peut vous joindre dans la journée.

Au Canada

Téléphoner sans frais au Centre pour l'eXpérience de la clientèle au : **1-800-807-6777** ou visiter notre site internet www.kitchenaid.ca.

Nos consultants peuvent vous aider sur les points suivants :

- Programmation d'une intervention de dépannage. Les techniciens de service désignés par la gamme des appareils électroménagers KitchenAid® sont formés pour remplir la garantie des produits et fournir un service après garantie partout au Canada.
- Caractéristiques et spécifications de notre gamme complète d'appareils ménagers.
- Références aux revendeurs KitchenAid® locaux.
- Procédés d'utilisation et d'entretien.
- Vente d'accessoires et de pièces de rechange.

Pour plus d'assistance :

Si vous avez besoin de plus d'assistance, vous pouvez écrire à KitchenAid en soumettant toute question ou problème à :

Customer eXperience Centre
KitchenAid Canada
200 - 6750 Century Ave.
Mississauga, Ontario L5N 0B7

Veuillez indiquer dans votre correspondance un numéro de téléphone où l'on peut vous joindre dans la journée.

Pièces de rechange

Plateau rotatif
Numéro de pièce W10451786
Support du plateau rotatif et
roulettes
Numéro de pièce W10605643
Axe du plateau rotatif
Numéro de pièce W10605644

Accessoires de nettoyage

Nettoyant pour appareils
ménagers de cuisine affresh®
Numéro de pièce W10355010
Nettoyant pour acier
inoxydable affresh®
Numéro de pièce W10355016

Grille de cuisson par
convection (petit)
Numéro de pièce W10605651
Grille de cuisson
au gril (grande)
Numéro de pièce W10605652

Chiffons pour acier
inoxydable affresh®
Numéro de pièce W10355049
Produit de dégraissage
pour service intense
Numéro de pièce 31552A

Trousses pour fours encastrés

Ce four à micro-ondes de plan de travail peut être encastré à l'aide de l'une des trousse suivantes.* Ces trousse sont disponibles auprès du marchand ou peuvent être commandées en indiquant le numéro de modèle de la trousse. Voir la section "Assistance ou service" pour le numéro sans frais.

Taille de la trousse	Numéros/coloris des modèles de trousse
27" (68,6 cm)	MKC2157AS/Acier inoxydable MKC2157AV/ Acier inoxydable noir
30" (76,2 cm)	MKC2150AS/Acier inoxydable MKC2150AV/ Acier inoxydable noir

* Les garnitures intégrées (trousse de garniture) peuvent être installées par-dessus n'importe quel four (électrique ou à gaz) encastré dans le mur, jusqu'à 30" (76,2 cm).

GARANTIE LIMITÉE POUR LES FOURS À MICRO-ONDES POSABLES KITCHENAID®

ATTACHEZ ICI VOTRE REÇU DE VENTE. UNE PREUVE D'ACHAT EST OBLIGATOIRE POUR OBTENIR L'APPLICATION DE LA GARANTIE.

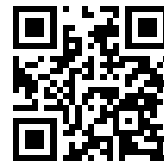
Lorsque vous appelez le centre d'eXpérience de la clientèle, veuillez garder à disposition les renseignements suivants :

- Nom, adresse et numéro de téléphone
- Numéros de modèle et de série
- Une description claire et détaillée du problème rencontré
- Une preuve d'achat incluant le nom et l'adresse du marchand ou du détaillant

SI VOUS AVEZ BESOIN DE SERVICE :

Si vous résidez aux États-Unis et que votre four à micro-ondes KitchenAid® cesse de fonctionner durant la première année suivant son acquisition :

1. Avant de nous contacter pour obtenir un dépannage, veuillez déterminer si des réparations sont nécessaires pour votre produit. Certains problèmes peuvent être résolus sans intervention de dépannage. Prenez quelques minutes pour parcourir la section Dépannage ou Résolution de problèmes du guide d'utilisation et d'entretien, balayez le code QR ci-contre avec votre téléphone intelligent pour accéder à des ressources supplémentaires, ou rendez-vous sur le site <http://www.kitchenaid.ca>.
 2. Tout service sous garantie doit être effectué exclusivement par nos fournisseurs de dépannage autorisés KitchenAid.
Aux É.-U. et au Canada, dirigez toutes vos demandes de service sous garantie au :
Centre d'eXpérience de la clientèle KitchenAid
Aux É.-U., composer le 1 800 422-1230. Au Canada, composer le 1 800 807-6777.
 3. Le conseiller vous indiquera si le four à micro-ondes peut bénéficier d'une réparation ou d'un remplacement.
 4. Dans le cas d'une réparation, il vous sera peut-être demandé d'envoyer le produit vers un centre de réparation désigné par KitchenAid. L'assurance et le fret jusqu'au centre de réparation relèvent de votre responsabilité. Veuillez indiquer vos nom et adresse sur un morceau de papier et l'accompagner d'une copie de votre preuve d'achat (reçu de caisse, bordereau d'achat, etc.). Le four à micro-ondes doit être correctement emballé pour éviter tout dommage pendant le transport car nous ne pourrions être tenus responsables d'un tel dommage.
 5. KitchenAid retournera à votre domicile l'appareil réparé ou, à sa discrétion, un four à micro-ondes identique ou comparable, et ce, sans frais.
- Si vous résidez à l'extérieur du Canada et des 50 États des États-Unis, contactez votre marchand KitchenAid autorisé pour déterminer si une autre garantie s'applique.



<http://www.kitchenaid.ca>

GARANTIE LIMITÉE DE UN AN

CE QUI EST COUVERT

Pendant un an à compter de la date d'achat, lorsque ce four à micro-ondes est installé, utilisé et entretenu conformément aux instructions jointes à ou fournies avec le produit, la marque KitchenAid de Whirlpool Corporation ou Whirlpool Canada LP (ci-après désignées "KitchenAid") décidera, à sa seule discrétion, de remplacer le produit ou de couvrir le coût des pièces de remplacement spécifiées par l'usine et de la main-d'œuvre nécessaires pour corriger les vices de matériaux et de fabrication qui existaient déjà lorsque ce four à micro-ondes a été acheté. S'il est remplacé, votre appareil restera sous garantie pour la durée restant à couvrir de la période de garantie sur le produit d'origine. Voir les instructions de réparation.

LE SEUL ET EXCLUSIF RECOURS DU CLIENT DANS LE CADRE DE LA PRÉSENTE GARANTIE LIMITÉE CONSISTE EN LA RÉPARATION PRÉVUE PAR LA PRÉSENTE. Le service doit être fourni par une compagnie de service désignée par KitchenAid. Cette garantie limitée est valide uniquement aux États-Unis ou au Canada et s'applique exclusivement lorsque le four à micro-ondes est utilisé dans le pays où il a été acheté. La présente garantie limitée est valable à compter de la date d'achat initial par le consommateur. Une preuve de la date d'achat initial est exigée pour obtenir une intervention de dépannage ou un remplacement dans le cadre de la présente garantie limitée.

CE QUI N'EST PAS COUVERT

1. Les interventions de dépannage pour rectifier l'installation du four à micro-ondes, montrer à l'utilisateur comment utiliser le produit, remplacer ou réparer des fusibles du domicile, réenclencher les disjoncteurs ou rectifier le câblage ou la plomberie du domicile.
2. Les interventions de dépannage pour réparer ou remplacer des ampoules électriques. Les pièces consommables ne sont pas couvertes par la garantie.
3. Service à domicile. Le four à micro-ondes doit être envoyé à une entreprise de services de réparation désignée par KitchenAid.
4. Les réparations ou le remplacement lorsque le four à micro-ondes est utilisé à des fins autres que l'usage domestique unifamilial normal ou lorsque les instructions d'installation et/ou les instructions de l'opérateur ou de l'utilisateur fournies ne sont pas respectées.
5. Les dommages résultant des situations suivantes : accident, modification, usage impropre ou abusif, incendie, inondation, actes de Dieu, installation fautive ou installation non conforme aux codes d'électricité ou de plomberie ou l'utilisation de pièces consommables ou de produits de nettoyage non approuvés par KitchenAid.
6. Les défauts apparents, notamment les éraflures, les bosses, écaillage ou tout autre dommage au fini du four à micro-ondes, à moins que ces dommages soient dus à des vices de matériaux ou de fabrication et soient signalés à KitchenAid dans les 30 jours suivant la date d'achat.
7. Toute perte d'aliments due à la défaillance du four à micro-ondes.
8. Les réparations aux pièces ou systèmes résultant d'une modification non autorisée faite à l'appareil.
9. Les fours à micro-ondes dont les numéros de série et de modèle originaux ont été enlevés, modifiés ou ne peuvent pas être facilement identifiés. Cette garantie est nulle si le numéro de série fourni par l'usine a été modifié ou retiré de l'appareil.

Le coût d'une réparation ou d'un remplacement dans le cadre de ces circonstances exclues est à la charge du client.

CLAUSE D'EXONÉRATION DE RESPONSABILITÉ AU TITRE DES GARANTIES IMPLICITES

LES GARANTIES IMPLICITES, Y COMPRIS LES GARANTIES APPLICABLES DE QUALITÉ MARCHANDE OU D'APTITUDE À UN USAGE PARTICULIER, SONT LIMITÉES À UN AN OU À LA PLUS COURTE PÉRIODE AUTORISÉE PAR LA LOI. Certains États et certaines provinces ne permettent pas de limitation sur la durée des garanties implicites de qualité marchande ou d'aptitude à un usage particulier, de sorte que la limitation ci-dessus peut ne pas être applicable dans votre cas. Cette garantie vous confère des droits juridiques spécifiques et vous pouvez également jouir d'autres droits qui peuvent varier d'une juridiction à l'autre.

EXONÉRATION DE RESPONSABILITÉ DANS LES DOMAINES NON COUVERTS PAR LA GARANTIE

KitchenAid décline toute responsabilité au titre de la qualité, de la durabilité ou en cas de dépannage ou de réparation nécessaire sur ce gros appareil ménager autre que les responsabilités énoncées dans la présente garantie. Si vous souhaitez une garantie plus étendue ou plus complète que la garantie limitée fournie avec ce gros appareil ménager, adressez-vous à KitchenAid ou à votre détaillant pour obtenir les modalités d'achat d'une garantie étendue.

LIMITATION DES RECOURS; EXCLUSION DES DOMMAGES FORTUITS OU INDIRECTS

LE SEUL ET EXCLUSIF RECOURS DU CLIENT DANS LE CADRE DE LA PRÉSENTE GARANTIE LIMITÉE CONSISTE EN LA RÉPARATION PRÉVUE PAR LA PRÉSENTE. KITCHENAID N'ASSUME AUCUNE RESPONSABILITÉ POUR LES DOMMAGES FORTUITS OU INDIRECTS. Certains États et certaines provinces ne permettent pas l'exclusion ou la limitation des dommages fortuits ou indirects de sorte que ces limitations et exclusions peuvent ne pas être applicables dans votre cas. Cette garantie vous confère des droits juridiques spécifiques et vous pouvez également jouir d'autres droits qui peuvent varier d'une juridiction à l'autre.

5/16