

KitchenAid® 24" (61 CM), 27" (68.6 CM), AND 30" (76.2 CM) INDOOR/OUTDOOR ELECTRIC WARMING DRAWER

PRODUCT MODEL SERIES

KEWS105B KEWS175B

ELECTRICAL CONNECTION

A 120 volt, 60 Hz., AC only, 15-amp fused, electrical circuit is required. A time-delay fuse or circuit breaker is also recommended. It is recommended that a separate circuit serving only this warming drawer be provided.

LOCATION REQUIREMENTS

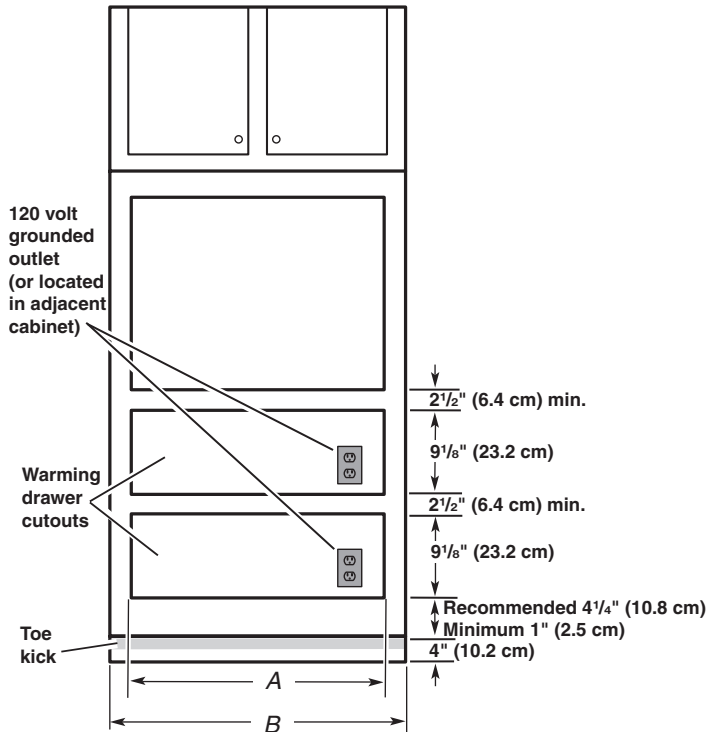
IMPORTANT: Observe all governing codes and ordinances.

- Cutout dimensions that are shown must be used. Given dimensions provide minimum clearance with warming drawer.
- Recessed installation area must provide complete enclosure around the recessed portion of the warming drawer.
- Grounded electrical supply is required. See "Electrical Requirements" section.
- Electrical supply outlet should be located in the rear wall on the upper right-hand side of the cutout or in an adjacent cabinet. The outlet must be recessed. If the electrical outlet is located in an adjacent cabinet, a 1 $\frac{3}{8}$ " (3.5 cm) minimum diameter hole should have been drilled in the back of the cutout or support surface to pass the power supply cord through to the outlet.
- Warming drawer support surface must be solid, level and flush with bottom of cabinet cutout.
- Warming drawers with oiled bronze, black glass, and white glass panels are approved for indoor use only.

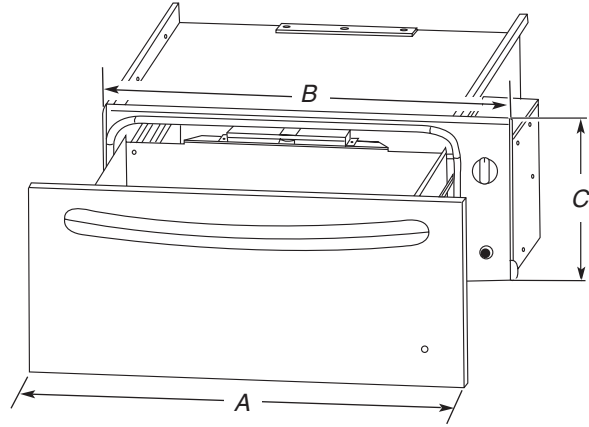
For best performance results make sure the warming drawer is leveled before completing installation. There is no way to level the warming drawer after it has been installed. If the installation is not level, the door may slide open or not seal tightly, allowing heat to escape.

CABINET OPENING DIMENSIONS

Cabinet Front View



PRODUCT DIMENSIONS



WARMING DRAWER SIZE	OVERALL WIDTH (A)	RECESSED WIDTH (B)	RECESSED HEIGHT (C)
24" (61 cm)	23 $\frac{3}{4}$ " (60.3 cm)	22 $\frac{1}{4}$ " (56.5 cm)	9" (22.9 cm)
27" (68.6 cm)	26 $\frac{3}{4}$ " (67.9 cm)	25 $\frac{1}{4}$ " (64.1 cm)	9" (22.9 cm)
30" (76.2 cm)	29 $\frac{3}{4}$ " (75.6 cm)	28 $\frac{1}{4}$ " (71.8 cm)	9" (22.9 cm)

WARMING DRAWER SIZE	CUTOUT WIDTH (A)	MIN. CABINET WIDTH (B)
24" (61 cm)	22 $\frac{1}{2}$ " (57.1 cm)	24" (61 cm)
27" (68.6 cm)	25 $\frac{1}{2}$ " (64.8 cm)	27" (68.6 cm)
30" (76.2 cm)	28 $\frac{1}{2}$ " (72.4 cm)	30" (76.2 cm)

Warming drawer can be installed as an indoor single or double installation or installed under a single oven. Two warming drawers under a single oven are shown.

NOTE: The warming drawer cannot be leveled after being installed.

For outdoor installation follow the cutout dimensions above. Install the outdoor warming drawer in a permanent fixture.

Custom Wood Drawer Front

If you plan to install a custom wood panel to match your cabinets, we recommend consulting a qualified cabinetmaker or carpenter. The back of the wood panel must be sealed to avoid moisture damage.

Cabinet Side View

