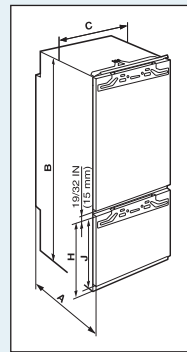
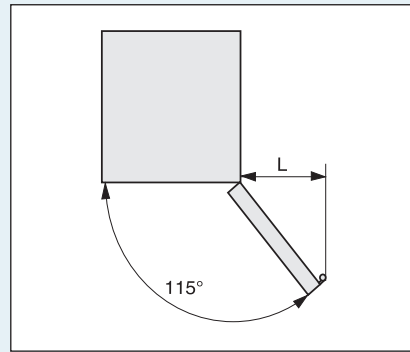
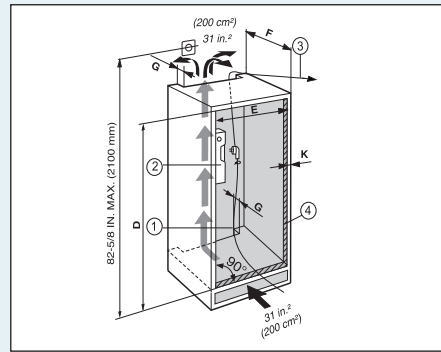


Diagrams

◀24"▶

Unit Dimensions



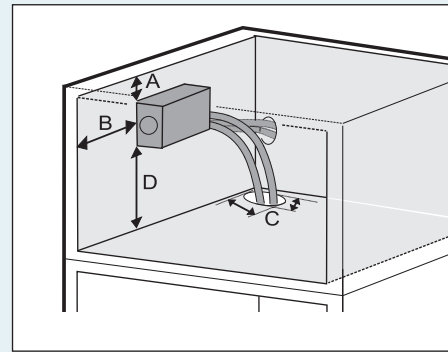
- A. 21-7/16" (544 mm)
- B. 69-11/16" (1770 mm)
- C. 22" (559 mm)
- D. 69-3/4" - 70-3/8" (1772 - 1788 mm)
- E. min. 22" (560 mm) max. 22-3/4" (578 mm)
- F. min. 21 5/8", rec. 22" (min. 550 mm, rec. 560 mm)
- G. 21-5/8" (550 mm)
- H. 1-5/8" (40 mm)
- J. 27-3/8" (695 mm)

- K. 24-3/4" (629 mm)
- L. max. 3/4" (19 mm)
- M. 9-21/32" (245 mm)

- ① Power cord
- ② Level
- ③ Fish line for power cord
- ④ 3" of the cabinet needs to be finished as it can be seen when the door is open.

In the case of Side-by-Side installation, two appliances next to one another, build the appliances into separate kitchen units.

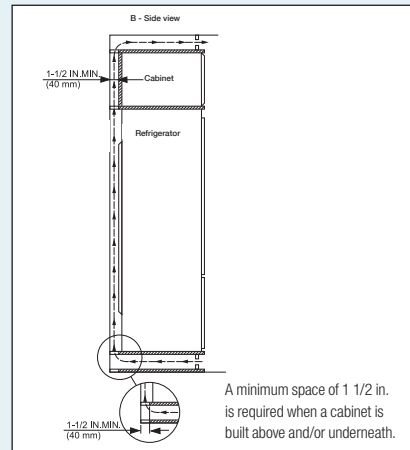
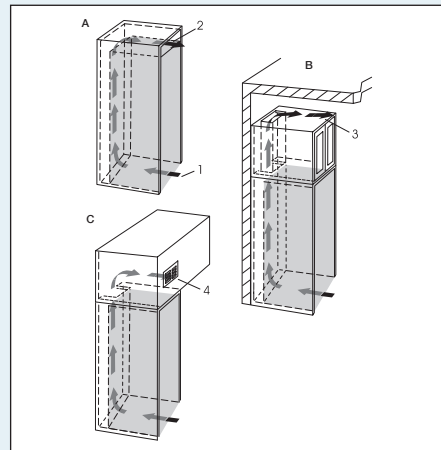
Water Filter



The water filter module can be purchased from your Liebherr retailer or distributor. It should be installed near the appliance in the cabinet, for example, in the adapter cabinet above the appliance. To connect the filter to the appliance, it may be necessary to make an opening (C) in the floor of the adapter cabinet through which the hoses will be routed. The maximum length of the water hose is 98-7/16" (2.5 m). The filter cover must be installed during assembly to leave sufficient space around the filter module. Maintain the dimensions shown in Fig. so that the filter can be replaced and the cover can be removed.

- A. 13/16in (20mm)
- B. 3-15/16in (100mm)
- C. 1-3/16in. x 3/8in. (30mm x10mm)
- D. min. 4in (100mm)

Ventilation Requirements



A minimum space of 1 1/2 in. is required when a cabinet is built above and/or underneath.

This is a fully integrated refrigerator-freezer which means that it is fully enclosed by a kitchen cabinet. This type of cabinet must be carefully constructed using the correct dimensions and it must provide suitable ventilation to ensure proper appliance operation.

NOTICE
If the following ventilation dimensions are not observed the compressor will be damaged.

Kitchen Cabinet Airflow

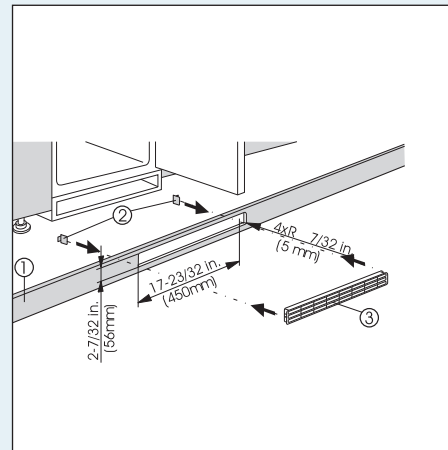
The following ventilation dimensions must be observed: There must be a ventilation space at least 31 in.² (200 cm²) at the airflow inlet (1) and at the airflow outlet (2).

The top ventilation space can be directed in one of the following ways:

- A) Directly over the appliance (2) with either an optional factory air vent or custom made one.
- B) Above the cabinet and below the ceiling.
- C) Through a vent installed in a soffit (4).

A minimum space of 1 1/2" (38mm) is required when a cabinet is built above and/or underneath.

Kitchen Cabinet Base Grille



Ventilation through the cabinet base at the bottom can be achieved by installing the provided ventilation grille (3) or via a ventilation opening of at least 31 in.² (200 cm²).

When using the provided ventilation grille (3), please proceed as follows:

- In the cabinet base, cut out a ventilation opening that is 17-23/32 in. (450 mm) in width and 2-7/32 in. (56 mm) in height.
- Insert ventilation (3) grille into the cabinet base cut-out (1).
- From the back side, slide the snap-fits (2) into the grille until the hooks make contact with the cabinet base.
- Completely mount cabinet base (with ventilation grille and snap-fits) to kitchen cabinet.

Liebherr HC 1050B

Fully Integrated/Seamless



LIEBHERR

Quality, Design and Innovation

The **HC 1050B** blends in beautifully with any kitchen cabinetry, providing diverse design options to fit your dream kitchen. Liebherr's door-on-door technology allows for custom paneling to be affixed directly onto the appliance door, ensuring that the cabinet and the refrigerator door open as one, allowing for additional design options and easy installation. You can match the refrigerator panel dimensions to cabinetry of 80" or 84" high for additional storage space over the refrigerator.

The HC 1050B includes a BioCool drawer which regulates humidity via a slider control to help keep fruits and vegetables fresher for longer. Liebherr's automatic IceMaker with fixed water connection produces perfectly clear ice cubes and keeps a constant supply on hand for every occasion.



Fully Integrated/Seamless

Energy consumption

in 365 days kWh
Estimated Yearly Energy Cost in US \$

Capacity

Total capacity cu.ft. (l)
Refrigerator comp. cu.ft. (l)
NoFrost Freezer comp. cu.ft. (l)

Shipping weight lbs. (kg)

Climate rating

Sound rating dB(A)

Door hinges

Outside dimensions

in inches (cm) H/W/D

Cut out dimensions

in inches (cm) H /W/D

Energy supply

Voltage V/Hz

HC 1050B
Comfort



475

57*

9.3 (264)

6.9 (196)

2.4 (68)

172.2 (78.1)

SN-T

38**

right, reversible

69 11/16"+11/16"/22"/21 7/16" (177+1.6/55.9/54.4)

69-3/4"-70-3/8"/max. 22-3/4"/min. 21-21/32" (177.2-178.8/max. 57.8/max. 55)

115/60

* Energy Cost will depend on utility rates and use. Estimated energy cost based on a national average electricity cost of 12 cents per kWh.

** Noise output – according to EN 60704-3



German Engineering: Our superior products offer premium quality, cutting edge design and innovative features that fit your busy lifestyle. Exclusive components and materials, along with the latest production processes, ensure energy efficiency and performance for years to come.



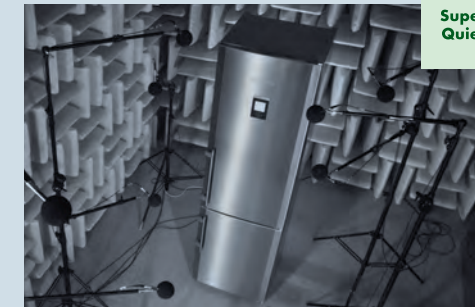
Energy Star: Liebherr refrigerators help produce less energy waste and greenhouse gas emissions with the goal of having the least damaging effect on the environment, while offering solutions that help consumers conserve energy.



DuoCooling: The dual refrigeration system creates optimal conditions in both the refrigerator and freezer which lengthens the shelf life of food items for a healthier lifestyle. This technology also preserves the flavor and texture of foods since there is no transfer of unwanted air, moisture or food aroma between the two compartments.



SuperCool/SuperFrost: Simply quick chill and/or freeze fresh groceries to preserve optimum freshness and seal in flavors, textures as well as maintain essential vitamins and minerals.



SuperQuiet: Noise is kept to a minimum with virtually silent, speed controlled compressors and a low-noise cooling circuit; while also ensuring exact performance, energy efficiency and SuperQuiet operation.



BioCool: BioCool regulates humidity to keep fruits and vegetables fresher for longer. The drawer extends smoothly on either a roller system or on premium-quality telescopic rails, both of which guarantee ease-of-use and allow convenient access for a perfect view of stored products. Humidity is regulated via slider control.



Precision Electronics: The precise electronic controls have a digital temperature display and are easy to use, via either a touch screen interface or electronic keys depending on the model.



GlassLine: The elegant yet tough GlassLine shelves are scratch resistant and easy to clean as well as dishwasher safe. The space-saving shelves are designed for organization and are completely adjustable to suit your needs and the contents of the refrigerator. Additionally, the lighting shines through for a brighter interior.



FrostSafe Drawers: The removable FrostSafe Drawers create flexible storage space that can easily expand to accommodate larger items. Advantageously, this spacious and practical transparent drawer system helps you fit more as well as maintain temperature by keeping cold air from escaping when the door is open.