

H 6200 BM AM

24 Inch Speed Oven

With electronic clock/timer and combination modes for quick, perfect results.



- Turn dial operation with display – DirectSelect
- Easy cleaning – cavity with linen-weave pattern & PerfectClean
- Quick preparation - combined microwave modes
- Fresh popcorn at your fingertips thanks to the Popcorn button

EAN: 4002515499559 / material number: 09862980

<b>Construction type</b>	
Built-in wall speed oven	•
<b>Design</b>	
PureLine	•
Appliance color	Brilliant white
Control panel	DirectSelect
<b>Convenience features</b>	
Precise temperature control	75 – 475 °F
Power levels	80/150/300/450/600/850/1000
Electronically controlled microwave power	•
Keep-warm function	•
<b>Operating modes</b>	
Defrost	•
Auto roast	•
Gentle bake	•
Broil	•
Convection Bake	•
Microwave	•
Combi Auto Roast	•
Combi Bake	•
Convection Broil	•
<b>Control panel</b>	
Popcorn function	•
Time of day display	•
Minute minder	•
Time buffer in h	200
Start-stop programming	•
Automatic switch-off	•
Programmable cooking time	•
Actual temperature display	•
Default temperatures	•
Acoustic signal when desired temperature is reached	•
Recommended microwave output for each operating mode	•
Minute Plus button	•
Individual settings	•
<b>Door</b>	
CleanGlass door	•
Door contact switch	•
Door hinge side	Bottom
<b>Cavity</b>	
Cavity volume in cu.ft(l)	1.52 (43)
No. of rack levels	3
No. of halogen lamps	1
<b>Cleaning convenience</b>	
Stainless-steel cavity with linen surface structure	•
Foldable broil heater element	•
<b>Efficiency and sustainability</b>	
Rapid Pre-Heat	•

H 6200 BM AM

24 Inch Speed Oven

With electronic clock/timer and combination modes for quick, perfect results.

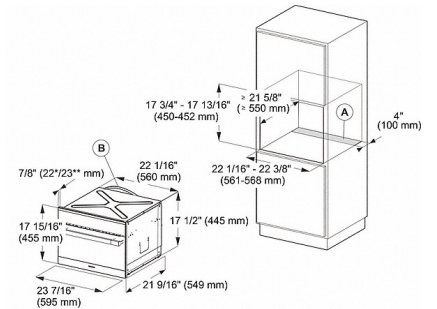
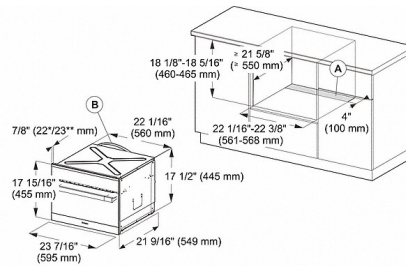


<b>Safety</b>	
Appliance cooling system with cool touch front	•
Safety cut-out	•
System lock	•
Door contact switch	•
<b>Technical data</b>	
Niche depth in in. (mm)	21 3/4 (550)
Appliance width in in.(mm)	22 1/16 (559)
Appliance height in in.(mm)	17 5/8 (446)
Weight in lbs. (kg)	94.80 (43.0)
Total connected load in kW	2.2
Voltage in V	240/208
Fuse rating in A	30
Number of phases	1
<b>Standard accessories</b>	
PerfectClean baking and roasting rack	1
Glass tray	1
Connection wire with plug	•

H 6200 BM AM

24 Inch Speed Oven

With electronic clock/timer and combination modes for quick, perfect results.

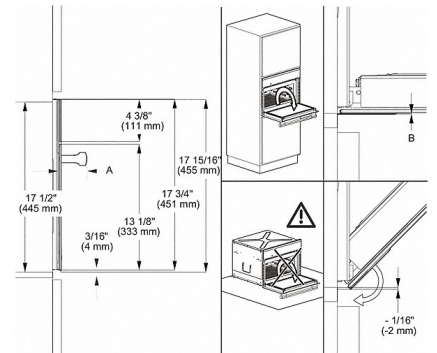
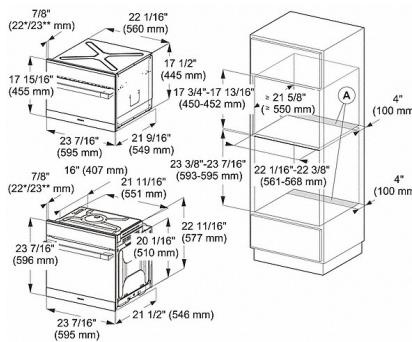


H 6000 BM - 45 cm (Installation drawing) - USA

A = Cut-out (4" x 22" / 100 mm x 560 mm) in the bottom of the cabinet for power cord and Ventilation  
 B = Power cord with plug  
 \* Oven with glass front  
 \*\* Oven with metal front

H 6000 BM - 45 cm (Installation drawing) - USA

A = Cut-out (4" x 22" / 100 mm x 560 mm) in the bottom of the cabinet for power cord and Ventilation  
 B = Power cord with plug  
 \* Oven with glass front  
 \*\* Oven with metal front



H 6000 BM - 45 cm (Installation drawing) - USA

A = Cut-out (4" x 22" / 100 mm x 560 mm) in the bottom of the cabinet for power cord and Ventilation  
 B = Power cord with plug  
 \* Oven with glass front  
 \*\* Oven with metal front

H 6000 BM - 45 cm (Installation drawing) - USA

A =  
 H61xx: 2 5/16" (59 mm)  
 H62xx: 1 5/8" (42 mm)  
 H65xx: 2 3/4" (69 mm)  
 H66xx: 1 5/8" (42 mm)  
 H67xx: 2 3/4" (69 mm)  
 H68xx: 1 5/8" (42 mm)

B =  
 Speed oven with glass front: 1/16" (2.2 mm)  
 Speed oven with metal front: 1/16" (1.2 mm)