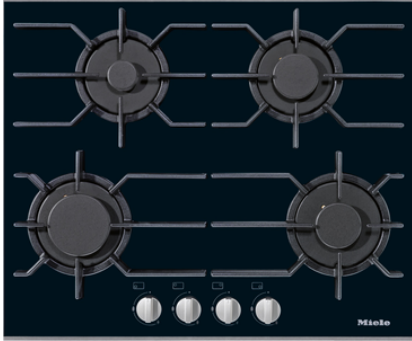


KM 3010 G

Gas cooktop with 4 burners



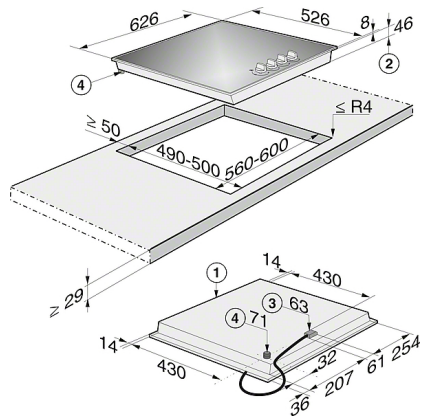
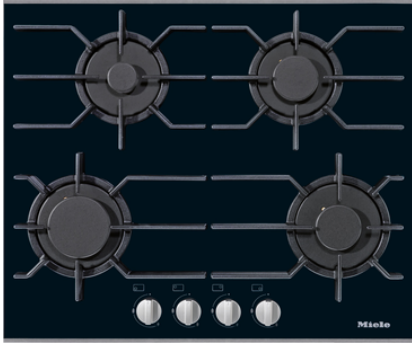
- Simple controls -single-handed operation via rotary dial control
- Elegant design - 24 3/4 (626)Inch wide gas on glass cooktop
- Versatile - 4 burners
- Extremely safe - GasStop function
- Easy cleaning - ComfortClean dishwasher-safe grates

EAN: 4002515135051 / material number: 09272050

Type of heating	
Fuel type	Gas
Construction type	
Independent of oven	•
Design	
Ceramic surface color	Black
Miele logo embossed in stainless steel	•
Cast iron pot rest (matte black enameled)	•
Ring features	
No. of rings	4
Ring	
Position	front left
Type	High-speed burner
Max. rating in W	2700
Position	rear left
Type	Economy burner
Max. rating in W	1000
Position	rear right
Type	Standard burner
Max. rating in W	1700
Position	front right
Type	Standard burner
Max. rating in W	1700
Control panel	
Operation via knobs	•
Electronic ignition with one-handed operation	•
Cleaning convenience	
Dishwasher-safe trivets	•
Safety	
GasStop	•
GasStop & ReStart	•
Technical data	
Dimensions in in. (width)	24 3/4 (626)
Dimensions (height) in in.(mm)	2 1/4 (54)
Dimensions (depth) in in.(mm)	20 3/4 (526)
Cutout dimensions in in. (width) with proud-mounted installation	23 5/8 (600)
Cutout dimensions in in. (depth) with proud-mounted installation	19 3/4 (500)
Weight in lbs. (kg)	37 (17)
Total connected load in kW	7.2
Power cord length in m	6 (2.0)

KM 3010 G

Gas cooktop
with 4 burners



KM 3010 G (Installation drawing)

1. Front
2. Casing depth
3. Mains connection box with mains connection cable L = 2000 mm
4. Gas connection R 1/2" - ISO 7-1 (DIN EN 10226)